

175104-2 ✓ ACTIVE

AMP | Multilock Connector System

TE Internal #: 175104-2

Receptacle, Mating Tab Width 1.8 mm [.071 in], Tab Thickness .64 mm [.025 in], 20 – 16 AWG Wire Size, Multilock Connector System, Automotive Terminals

[View on TE.com >](#)



Terminals & Splices > Automotive Terminals > MULTILOCK, RECEPTACLE AND TAB



Terminal Type: **Receptacle**

Mating Tab Width: **1.8 mm [.071 in]**

Mating Tab Thickness: **.64 mm [.025 in]**

Terminal Transmits: **0 – 24 A (Low Power)**

Wire Size: **20 – 16 AWG**

[All MULTILOCK, RECEPTACLE AND TAB \(111\)](#)

## Features

### Product Type Features

Receptacle Style	180°
Sealable	No
Primary Locking Feature	Clean Body

### Contact Features

Contact Size	1.8mm
Contact Fabrication	Stamped & Formed
Wire Contact Termination Area Plating Material	Gold
Typical Current Rating	10 A
Crimp Type	F-Crimp
Terminal Type	Receptacle
Mating Tab Width	1.8 mm[.071 in]
Mating Tab Thickness	.64 mm[.025 in]
Interface Plating	Gold (Au)

### Termination Features

Termination Method to Wire & Cable	Crimp
Product Terminates To	Wire



### Dimensions

Compatible Insulation Diameter Range	2 – 2.6 mm [.078 – .102 in]
Wire Size	.5 – 1.25 mm <sup>2</sup>
Wire Size Search	16 AWG, 17 AWG, 18 AWG, 19 AWG, 20 AWG

### Usage Conditions

Insulation Option	Uninsulated
-------------------	-------------

### Operation/Application

Compatible With Wire Base Material	Copper
------------------------------------	--------

### Packaging Features

Packaging Quantity	6000
Packaging Method	Reel

### Other

Terminal Transmits	0 – 24 A (Low Power)
--------------------	----------------------

## Product Compliance

[For compliance documentation, visit the product page on TE.com>](#)

EU RoHS Directive 2011/65/EU	Compliant
EU ELV Directive 2000/53/EC	Compliant
China RoHS 2 Directive MIIT Order No 32, 2016	No Restricted Materials Above Threshold
EU REACH Regulation (EC) No. 1907/2006	Current ECHA Candidate List: JUNE 2024 (241) Candidate List Declared Against: JUNE 2024 (241) Does not contain REACH SVHC
Halogen Content	Low Halogen - Br, Cl, F, I < 900 ppm per homogenous material. Also BFR/CFR/PVC Free
Solder Process Capability	Not applicable for solder process capability

#### Product Compliance Disclaimer

This information is provided based on reasonable inquiry of our suppliers and represents our current actual knowledge based on the information they provided. This information is subject to change. The part numbers that TE has identified as EU RoHS compliant have a maximum concentration of 0.1% by weight in homogenous materials for lead, hexavalent chromium, mercury, PBB, PBDE, DBP, BBP, DEHP, DIBP, and 0.01% for cadmium, or qualify for an exemption to these limits as defined in the Annexes of Directive 2011/65/EU (RoHS2). Finished electrical and electronic equipment products will be CE marked as required by Directive 2011/65/EU. Components may not be CE marked. Additionally, the part numbers that TE has identified as EU ELV compliant have a maximum concentration of 0.1% by weight in homogenous materials for lead, hexavalent chromium, and mercury, and 0.01% for cadmium, or qualify for an exemption to these limits

as defined in the Annexes of Directive 2000/53/EC (ELV). Regarding the REACH Regulation, the information TE provides on SVHC in articles for this part number is based on the latest European Chemicals Agency (ECHA) 'Guidance on requirements for substances in articles' posted at this URL: <https://echa.europa.eu/guidance-documents/guidance-on-reach>

## Compatible Parts



TE Part # 91583-1  
CCI 070 TYP 20-16 ASSY



TE Part # 937313-1  
EXT-TOOL



TE Part # 344106-1  
18W EMS.REC.HSG.ASSY.



TE Part # 347874-1  
CABLE SEAL LC SILICON 0.5 T



TE Part # 2151106-1  
OCEAN\_2.0\_Applicator-S-090F145O-RSM



TE Part # 2151106-2  
OCEAN\_2.0\_Applicator-S-090F145O-RSA



TE Part # 2151881-1  
OCEAN\_2.0\_Applicator-S-090F145O-RSM



TE Part # 2151881-2  
OCEAN\_2.0\_Applicator-S-090F145O-RSA



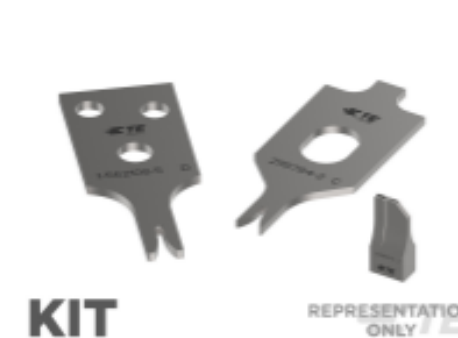
TE Part # 2305570-1  
Strip Terminal Cutter-Side Feed-No Crimp



TE Part # 5-2151106-1  
OCEAN\_2.0\_Applicator-S-090F145O-RSM



TE Part # 5-2151106-2  
OCEAN\_2.0\_Applicator-S-090F145O-RSA



TE Part # 7-2151106-7  
OCEAN\_2.0\_SPARE\_PART\_KIT-090F145O



TE Part # 7-2151881-7  
OCEAN\_2.0\_SPARE\_PART\_KIT-090F145O



TE Part # 7-2266060-7  
OC-090F145O-752-CRIMPTOOLINGKIT

## Also in the Series | Multilock Connector System



Automotive Connector Caps & Covers (10)



Automotive Connector Locks & Position Assurance(3)



Automotive Housings(445)



Automotive Terminals(117)



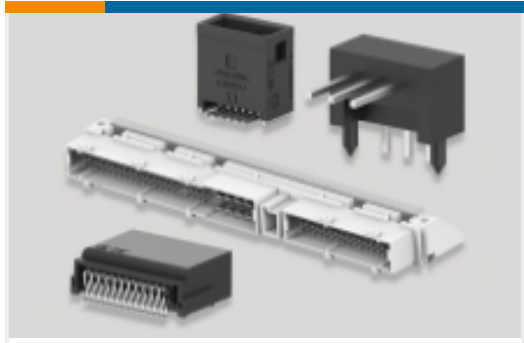
Connector Seals & Cavity Plugs(2)



Insertion & Extraction Tools(6)



Other Automotive Connector Accessories(12)

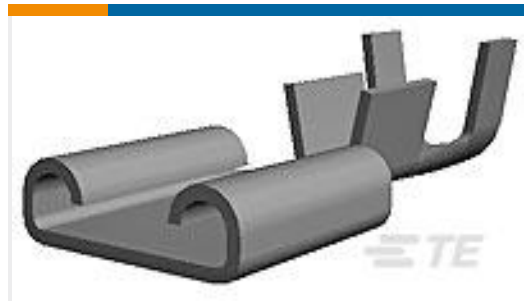


PCB Headers & Receptacles(134)

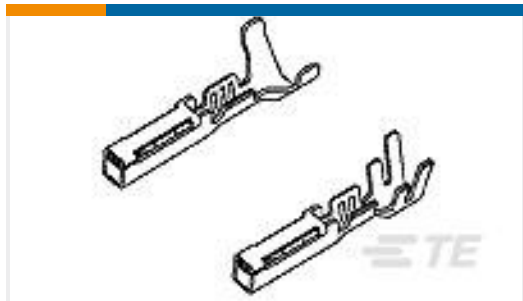
## Customers Also Bought



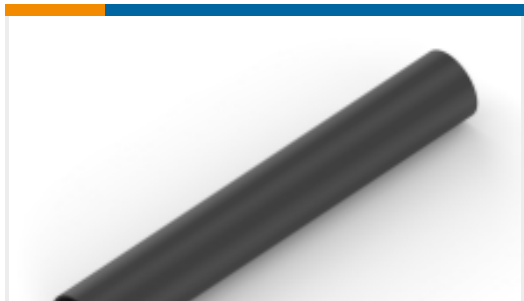
TE Part #3-1630012-8  
HSC150 68R 5%



TE Part #3-160256-1  
250 FASTON,REC.,17-14 AWG,TPPB



TE Part #776181-1  
0.040 MULTILOCK RCPT



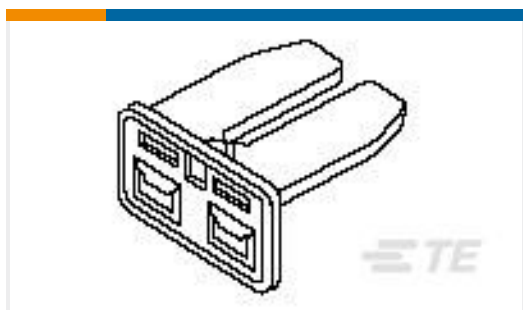
TE Part #NB11014001  
ATUM-4/1-0-SP



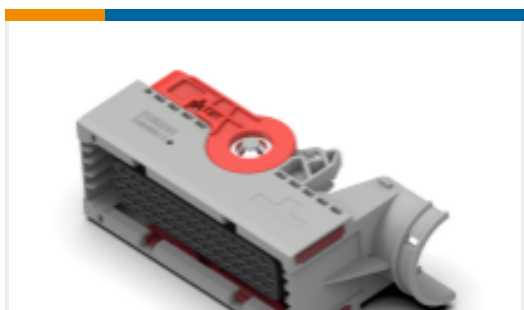
TE Part #764619-000  
CWT-7-W122-5



TE Part #344106-1  
18W EMS.REC.HSG.ASSY.



TE Part #174358-7  
070 ECONOSEAL MARK-2 P/PLUG 3P



TE Part #3-2112231-2  
46POS,AMP MCP1.5K,REC HSG,ASSY



TE Part #5748477-1  
KIT,PLUG,78P,HDP-22,SHLD ENCLS



TE Part #354529-1  
LEXAN, INSERT

## Documents



### Product Drawings

#### 070 REC CONTACT FOR EJ MK-2 GB

English

---

### CAD Files

Customer View Model

[ENG\\_CVM\\_175104-2\\_O.3d\\_igs.zip](#)

English

Customer View Model

[ENG\\_CVM\\_175104-2\\_O.3d\\_stp.zip](#)

English

Customer View Model

[ENG\\_CVM\\_175104-2\\_O.2d\\_dxf.zip](#)

English

**3D PDF**

English

By downloading the CAD file I accept and agree to the [Terms and Conditions](#) of use.

---

### Datasheets & Catalog Pages

**MULTILOCK Connector System**

English