

1735078-1 ✓ ACTIVE



TE Internal #: 1735078-1

SAS, Plug, Wire-to-Board, 29 Position, 1 Row, 1 Port, Right Angle,
Surface Mount, Power & Signal, Board Mount, -40 – 85 °C [-40 – 185
°F]

[View on TE.com >](#)

Connectors > PCB Connectors > SAS & MiniSAS > Serial Attached SCSI (SAS) Connector Plugs



SAS Connector Type: **SAS**

Connector & Housing Type: **Plug**

Connector System: **Wire-to-Board**

Number of Positions: **29**

Number of Rows: **1**

[All Serial Attached SCSI \(SAS\) Connector Plugs \(3\)](#)

Features

Product Type Features

Shell	Without
Connector & Contact Terminates To	Printed Circuit Board
SAS Connector Type	SAS
Connector & Housing Type	Plug
Connector System	Wire-to-Board

Configuration Features

Number of Positions	29
Number of Rows	1
Number of Ports	1
PCB Mount Orientation	Right Angle

Body Features

Primary Product Color	Black
-----------------------	-------

Contact Features



	30 µin
Contact Mating Area Plating Material	Gold
Contact Underplating Material	Nickel
PCB Contact Termination Area Plating Material	Tin
Contact Base Material	Copper Alloy
Contact Current Rating (Max)	1.5 A

Termination Features

Termination Method to PCB	Surface Mount
---------------------------	---------------

Mechanical Attachment

PCB Mount Retention	Without
Connector Mounting Type	Board Mount

Housing Features

Housing Material	Thermoplastic
------------------	---------------

Usage Conditions

High Temperature Housing	Yes
Operating Temperature Range	-40 – 85 °C[-40 – 185 °F]

Operation/Application

Circuit Application	Power & Signal
---------------------	----------------

Industry Standards

PCIe/SAS Generation	Gen2
UL Flammability Rating	UL 94V-0

Packaging Features

Packaging Quantity	30
Packaging Method	Loose Piece

Product Compliance

[For compliance documentation, visit the product page on TE.com>](#)

EU RoHS Directive 2011/65/EU	Compliant
EU ELV Directive 2000/53/EC	Compliant
China RoHS 2 Directive MIIT Order No 32, 2016	No Restricted Materials Above Threshold
EU REACH Regulation (EC) No. 1907/2006	Current ECHA Candidate List: JUNE 2024 (241)



Candidate List Declared Against: JUNE 2024 (241)

Does not contain REACH SVHC

Halogen Content	Low Halogen - Br, Cl, F, I < 900 ppm per homogenous material. Also BFR/CFR/PVC Free
Solder Process Capability	Pin-in-Paste capable to 260°C

Product Compliance Disclaimer

This information is provided based on reasonable inquiry of our suppliers and represents our current actual knowledge based on the information they provided. This information is subject to change. The part numbers that TE has identified as EU RoHS compliant have a maximum concentration of 0.1% by weight in homogenous materials for lead, hexavalent chromium, mercury, PBB, PBDE, DBP, BBP, DEHP, DIBP, and 0.01% for cadmium, or qualify for an exemption to these limits as defined in the Annexes of Directive 2011/65/EU (RoHS2). Finished electrical and electronic equipment products will be CE marked as required by Directive 2011/65/EU. Components may not be CE marked. Additionally, the part numbers that TE has identified as EU ELV compliant have a maximum concentration of 0.1% by weight in homogenous materials for lead, hexavalent chromium, and mercury, and 0.01% for cadmium, or qualify for an exemption to these limits as defined in the Annexes of Directive 2000/53/EC (ELV). Regarding the REACH Regulation, the information TE provides on SVHC in articles for this part number is based on the latest European Chemicals Agency (ECHA) 'Guidance on requirements for substances in articles' posted at this URL: <https://echa.europa.eu/guidance-documents/guidance-on-reach>

Compatible Parts



TE Part # CAT-SA78-R2435
PT30 XFP Connectors

Customers Also Bought



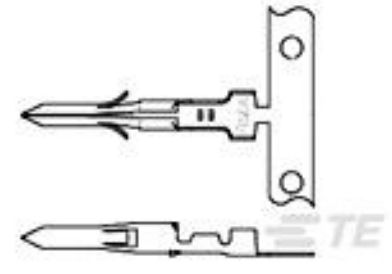
TE Part #3-6609987-2
15SRBS8-W=F8222D



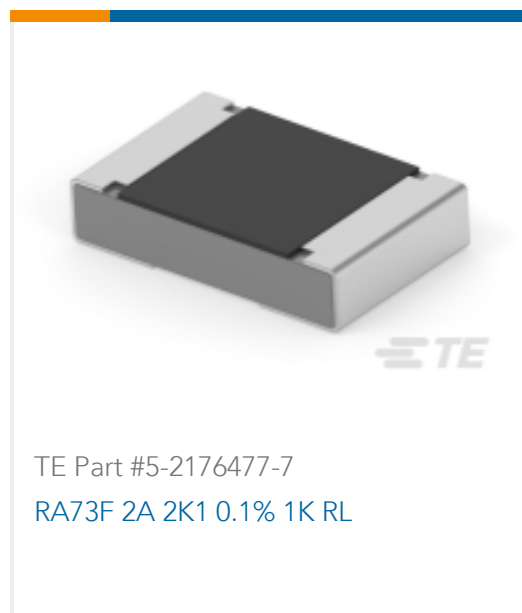
TE Part #770156-5
04P CMNL IDC PLUG 16 AWG BLU V



TE Part #1734099-5
Champ 050 series,plug assembly



TE Part #640391-1
.062 COMM P&S PIN 24-30 PTPBR



Documents

Product Drawings

SAS PLUG 15+7+7P ASSEMBLY

English

CAD Files

3D PDF

3D

Customer View Model

[ENG_CVM_CVM_1735078-1_C2.2d_dxf.zip](#)

English

Customer View Model

[ENG_CVM_CVM_1735078-1_C2.3d_igs.zip](#)

English

Customer View Model

[ENG_CVM_CVM_1735078-1_C2.3d_stp.zip](#)

English

By downloading the CAD file I accept and agree to the [Terms and Conditions](#) of use.

Product Specifications

Product Specification

English