

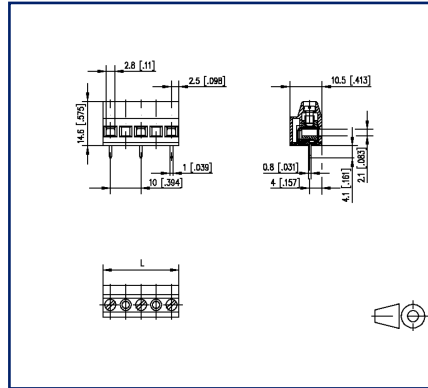
# Data sheet

## RT059xxHBLC Type 011

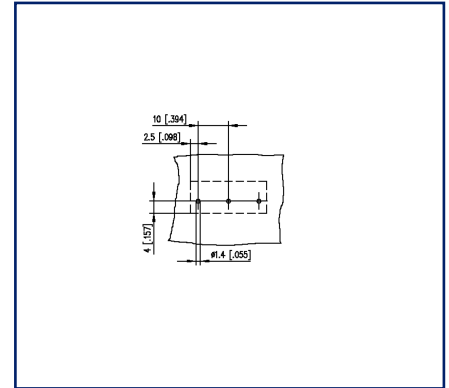
### Illustrations



Dimensional drawing



Drill pattern




See enlarged drawings at the end of document

### Product specification

- screw type terminal block, solderable
- centerline 10.00 mm, direction of connection 90°
- lift system, fittable without loss of poles
- color black



## Technical Data

General Data			
Tightening torque SEV	0.5 Nm		
Tightening torque UL	4.4 lb-in		
Solder pin length	4.1 mm		
min. number of poles	2		
max. number of poles	8		
Insulating material class	CTI 600		
clearance/creepage dist.	8.9 mm		
Protection category	IP20		
Min. insul. strip length	7 mm		
Rated current	13 A		
Overvoltage category	III	III	II
Pollution degree	3	2	2
Rated voltage	500 V	1000 V	1000 V
Rated test voltage	6 kV	6 kV	6 kV
Terminal data			
rat.wiring solid AWGmax	0.34 mm <sup>2</sup> - 2.5 mm <sup>2</sup> / AWG 28 - AWG 12		
rat.wiring strand.AWGmax	0.34 mm <sup>2</sup> - 2.5 mm <sup>2</sup> / AWG 28 - AWG 12		
Approvals			
 V / A / AWG	600 / 15 / 22 - 12		
approval UL - File No.	E121004		
1.5 mm <sup>2</sup>	500 V / 15 A / 22		
Material			
insulating material	PA66		
flammability class	V0		
contact material	CuZnPb		
Contact surface	Ni + Sn		
terminal body thread	M3		
terminal body material	CuZnPb		
terminal body surface	Ni		
screw thread	M3		
screw material	10,9		

**Technical Data**

screw surface	Zn Cr(VI)-frei/free
Glow-Wire Flammability GWFI	960 °C acc. to IEC 60695-2-12
Glow-Wire Flammability GWIT	775 °C acc. to IEC 60695-2-13
<b>Climatic Data</b>	
upper limit temperature	105 °C
lower limit temperature	-40 °C
<b>general</b>	
Tolerance	ISO 2768 -mH
Solderability	Acc. to JEDEC JESD22-B102E 245°C/5s



# U | Contact

Data sheet  
**RT059xxHBLC Type 011**

Page 4/5

P/N  
**310112xx**

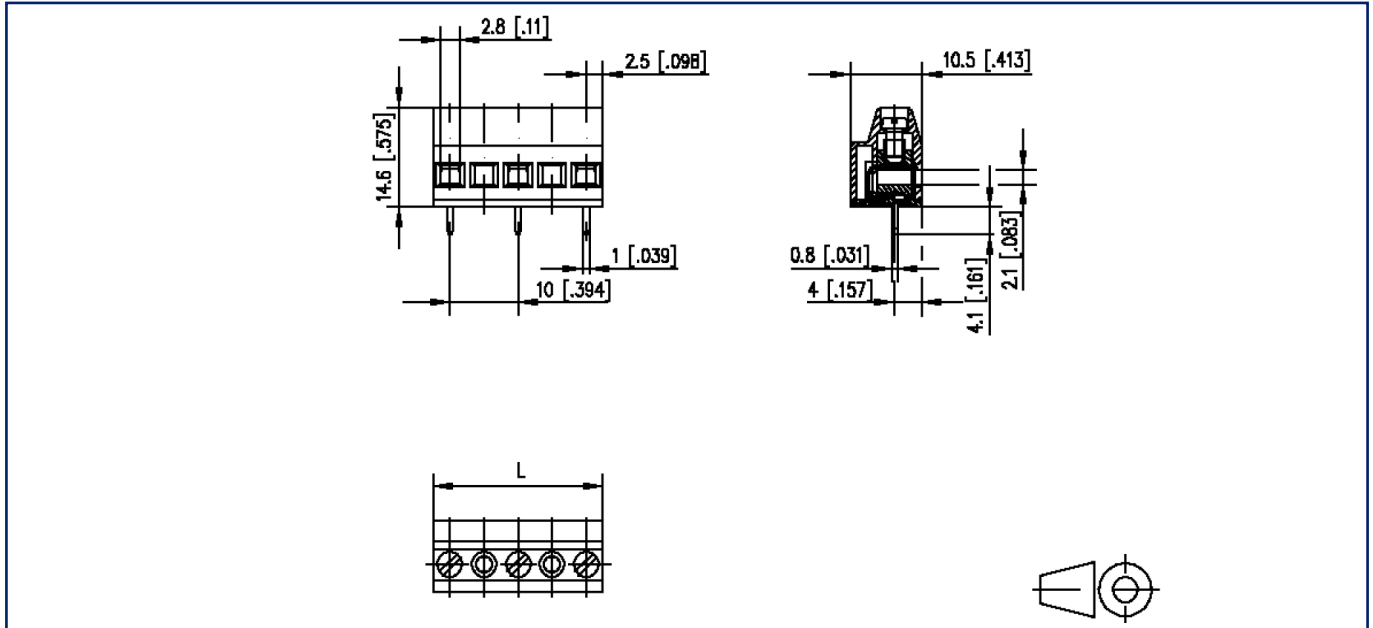
xx=number of poles

2023/06/23

Version: Y

## Illustrations

Dimensional drawing



$L = (\text{pole size} - 1) \times \text{centerline} + 5 \text{ mm} [0.197]$

**Illustrations**

Drill pattern

