




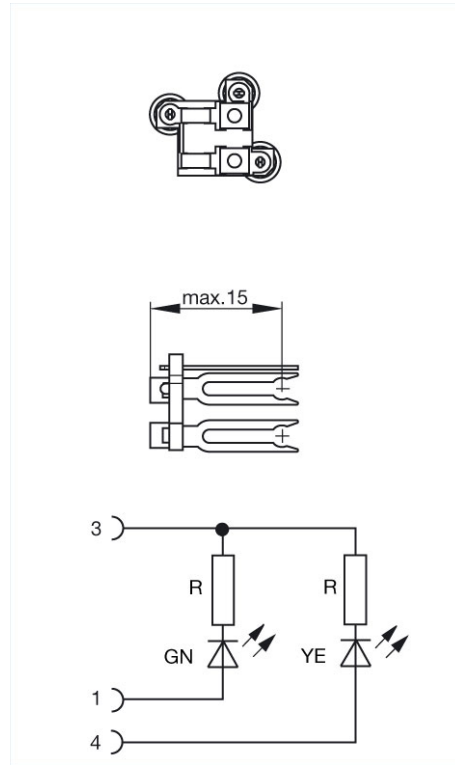
Product information E 2 LED PNP

Industrial Connecting Solutions:Archive - Industrial Connectors:Circular Connectors E-series M12 / M12 push-pull (Archive):Accessories E-series M12:E 2 LED PNP

<http://dev-catalog.beldensolutions.com/link/57078-24228-62529-24256-24287-37475/en/conf/uistate>

Name	E 2 LED PNP
	
	LED insert (ca. 10 mA), suitable for contact assignment, in accordance with IEC 61076-2-101 (Ed. 1)/ IEC 60947-5-2
Delivery informations	
Availability	no longer available
Product description	
Description	LED insert (ca. 10 mA), suitable for contact assignment, in accordance with IEC 61076-2-101 (Ed. 1)/ IEC 60947-5-2
Type	E 2 LED PNP
Order No.	933 405-001
Description of Wiring	
Circuit	PNP/normally open
LED color	LED green = power, LED yellow = switch state,
Technical data	
Rated voltage	DC 10 V to 30 V
Type of termination	male
Environmental conditions	
Temperature range	-25 °C to +90 °C
Packing unit	
Packaging unit	100 pieces
Scope of delivery and accessories	
Accessories to order separately	accessory for ELKA 4012 PG7 transparent/topas, order no. 933 210-199; ELWIKA 4012 PG7 transparent/ topas, order no. 933 173-199

Picture
Drawing



Belden Deutschland GmbH
Im Gewerbepark 2
58579 Schalksmühle
Germany
Phone: +49 7127/14-1806
E-Mail: icos-sales@belden.com

The information published in the websites has been compiled as carefully as possible. It is subject to alteration without notice in technical as well as in price-related/commercial respect. The complete information and data were available on user documentation. Mandatory information can only be obtained by a concrete query.