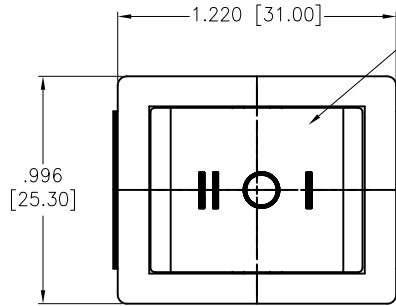


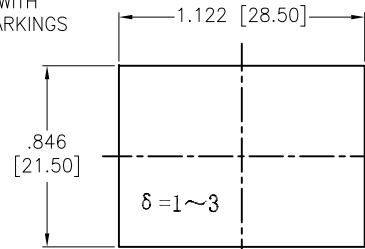
APPROVED: \_\_\_\_\_

DATE: \_\_\_\_\_ TITLE: \_\_\_\_\_

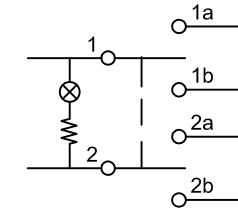
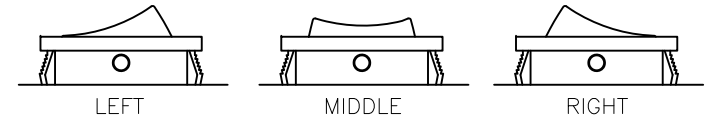
Rev	AWO #	Description	Date	Apr
-		RELEASED	11/18/21	



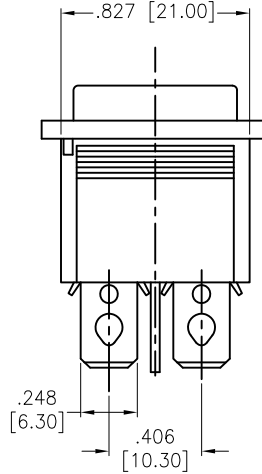
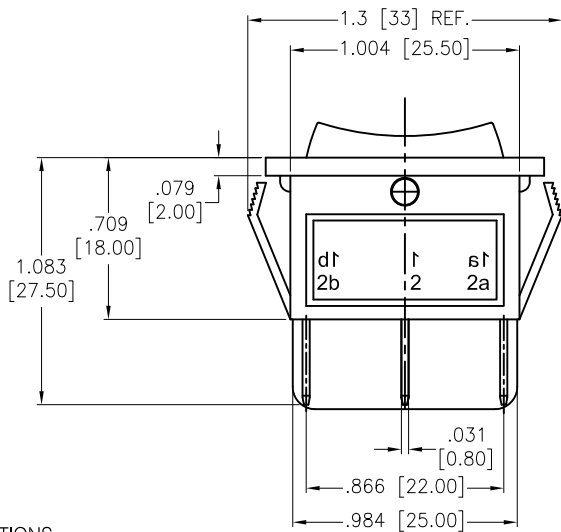
LIGHTED WITH WHITE MARKINGS



RECOMMENDED PANEL CUT-OUT

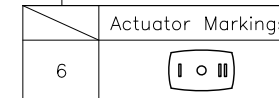


CIRCUIT DIAGRAM (DPDT) ON-OFF-ON



SW-R1-4E-E-LXXX-0

	Lighted Actuator
W	Lighted White
R	Lighted Red
G	Lighted Green
Y	Lighted Yellow (Amber)
B	Lighted Blue
O	Lighted Orange



	LED Voltage
1	3V
2	6V
3	12V
4	24V
5	48V
6	110V
7	220V

**SPECIFICATIONS:**

Body: Nylon 66, Color Black, Rated UL 94V-0

Terminal: Brass, Silver plated

Button: Nylon 66, Lighted color (See Chart). White color markings

**Electrical:**

The rated load: 12A 250VAC T85(Res)  
 15A 250VAC T85/55 1E4  
 16(6)A 250VAC  
 20A 125VAC

Contact resistance: 50 mohms max

Insulation resistance: 100 Mohms min

Dielectric withstanding voltage: 1500 VAC/5S min

**Mechanical:**

Electrical life: 10000 Cycles min

Temperature Rating:

Operating temperature: -25°C to +85°C

**Environmental:**

Lead free, RoHS compliant



Replace "x" in P/N with the corresponding switch color and marking

UNLESS OTHERWISE SPECIFIED ALL DIMENSIONS ARE INCHES [MM]. TOLERANCES: EXCEPT AS NOTED	
INCHES	HOLES
X ± .10	∅X ± .10
.XX ± .020	∅.XX ± .015
.XXX ± .015	∅.XXX ± .010



909 Rahway Avenue,  
 Union, NJ 07083  
 Phone: 908-687-5000  
 Fax: 908-687-5710

DRAWN	WX	11/18/21
CHECKED	RC	11/18/21
APPROVED		

TITLE	SWITCH, MEDIUM ROCKER, DPDT, ON-OFF-ON, QC .250 [6.35MM], LIGHTED	
SIZE	PART NO.	REV.
X	SW-R1-4E-E-LXXX-0	-

THIS DRAWING CONTAINS INFORMATION THAT IS PROPRIETARY AND SHOULD NOT BE USED WITHOUT PRIOR WRITTEN PERMISSION FROM ADAM TECH

REF:	S00206C	SCALE:	NTS	SHEET	1 OF 1
------	---------	--------	-----	-------	--------