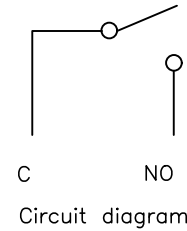
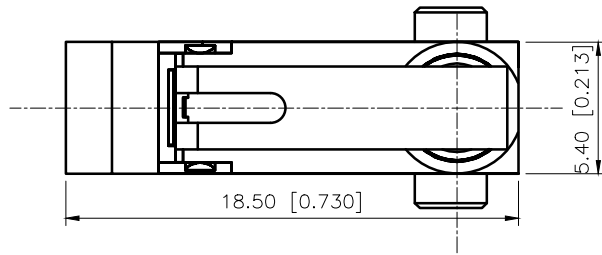
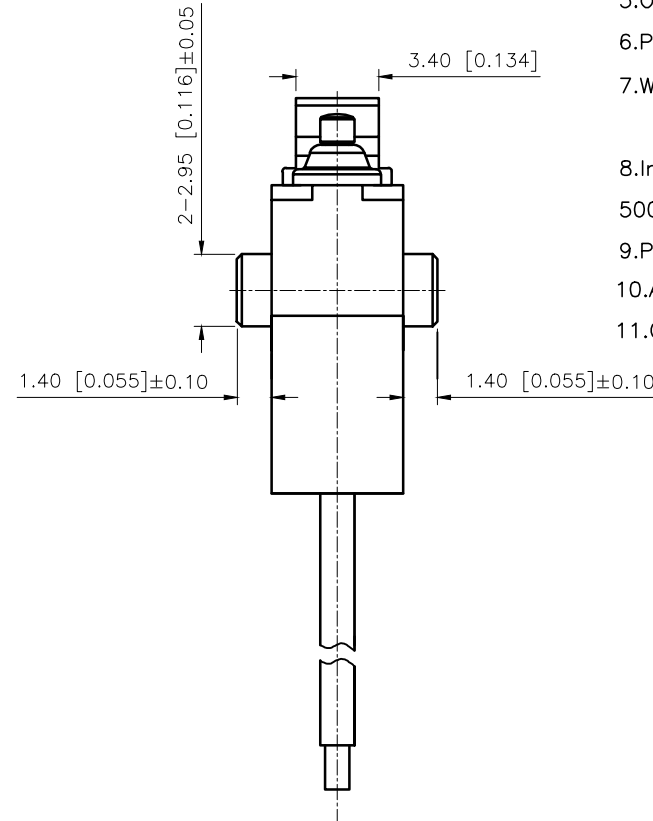
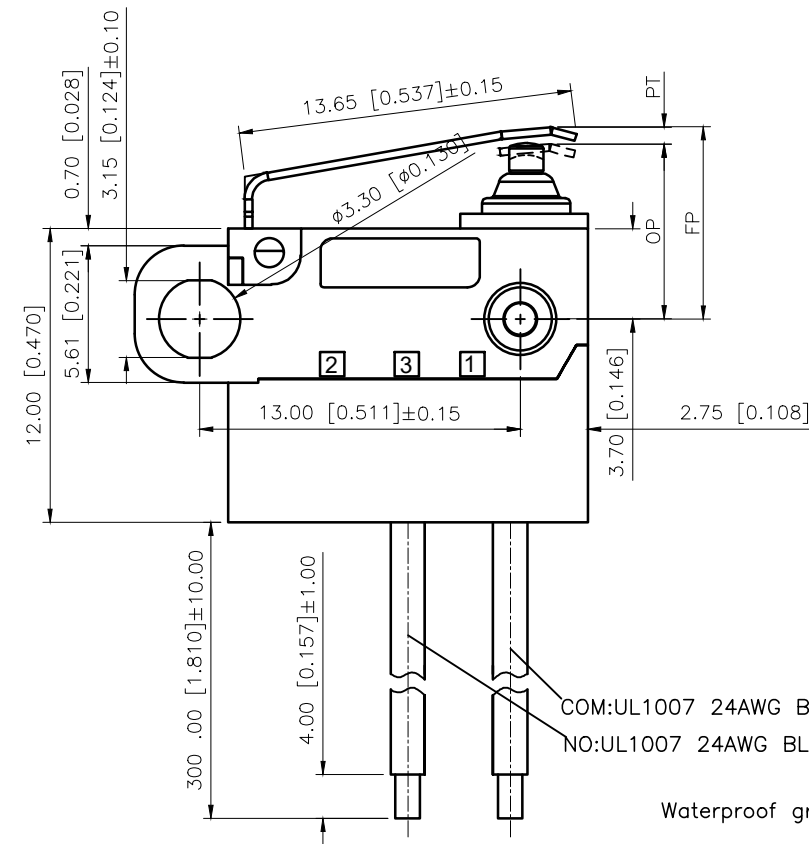


REVISIONS					
REV.	ECN NO.	LOCATION	DESCRIPTION	DATE	DESIGN
A0	N/A		INITIAL RELEASE	/	/
A1	N/A		图面升级整理图面	2025.06.23	阿树



Technical Parameters

- Electrical Rating: 0.1A 125/250VAC
3A/12VDC;0.1A/48VDC
- Electrical lifetime:100 000
- Mechanical lifetime:100 000
- Contact Resistance: ≤100mΩ
- Operating force:1.65N MAX
- Pretravel:3.0mm MAX
- Withstand Voltage:Feet and Feet 500V/5S/5mA
Feet and Shell 1500/5S/5mA
- Insulation Resistance:≥100MΩ(Test Voltage 500VDC)
- Proof Tracking Index(PTI):175V
- Ambient temperature:40T85°
- Operation Position:7.1±0.5



Waterproof grade:IP67

1	Rubber shell	PA66
2	seal ring	Silica gel
3	base	Brass+PA66
4	According to sincerity	POM
5	Contact moving plate	C5191+AgNi10
6	Strut	SUS301-H

AuGLAR	±5°
X.	±0.40
X.x	±0.30
X.xx	±0.20
X.xxx	±0.15
UNSPECIFIED TOLERANCES	



DESIGN	阿树	VIEW:		MODEL TYPE:	MICRO SWITCH
CHECKED		UNIT:	mm/in	PART NO.:	DF1-1365UWS-3
APPROVED		SIZE:	A4	DWG NO.:	