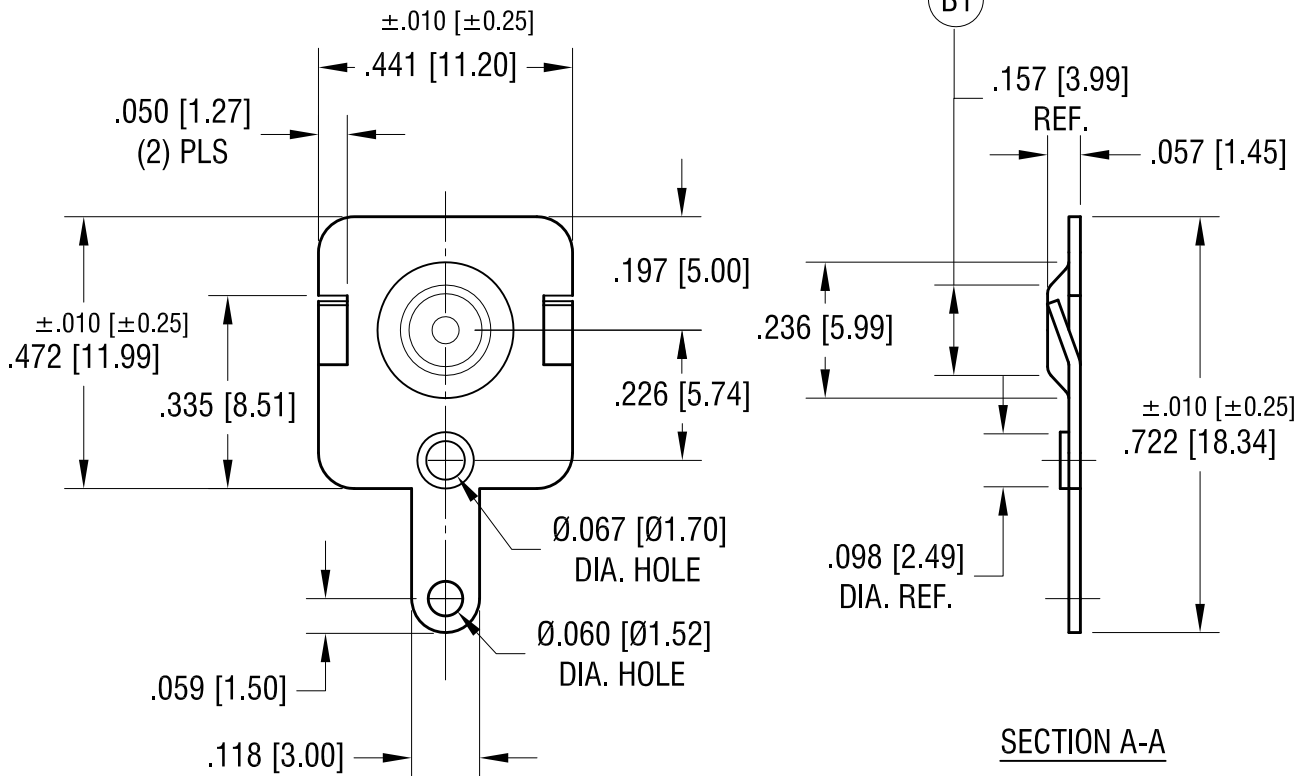


THIS DOCUMENT IS THE PROPERTY OF
KEYSTONE ELECTRONICS CORP. AND
SHALL NOT BE REPRODUCED, DISTRIBUTED
OR USED AS A BASIS FOR MANUFACTURE
WITHOUT PRIOR WRITTEN PERMISSION
FROM KEYSTONE ELECTRONICS CORP.

ACTUAL SIZE



SECTION A-A

KEYSTONE ELECTRONICS CORP.

www.keyelco.com • NEW HYDE PARK NY 11040 • Tel (516)328-7500

PART NAME

'AA' MALE BATTERY CONTACT

MATERIAL

.020 [0.50] TH'K STEEL

FINISH

NICKEL PLATE

DRN BY

NT

DATE

3.27.09

APP'D

RH

SCALE

3X

TOLERANCES

INCH [MM]
DECIMAL $\pm .005$ [± 0.13]

CODE

C

ANGULAR $\pm 1^\circ$
UNLESS OTHERWISE SPECIFIED

DWG NO.

5219

1.229.24	ECN 24-032, B1 WAS .157±.005	B
1.30.12	CHANGE AS PER ECN 12-007	A
DATE	DESCRIPTION	REV.