



Connection terminal 35mm<sup>2</sup> for pin busbars according to UL 508

Model	
product brand name	SENTRON
product designation	Connecting terminal
design of the product	for pin busbar 35 mm <sup>2</sup> UL508
Supply voltage	
operating voltage at AC rated value	1 000 V
Connections	
tightening torque	
• minimum	4 N·m
• maximum	5.5 N·m
type of connectable conductor cross-sections for copper conductor stranded	6 - 35 mm <sup>2</sup>
Mechanical Design	
height	28.5 mm
width	16.2 mm
depth	41.5 mm
length	60 mm
net weight	33 g
Approvals Certificates	
General Product Approval	other

[Confirmation](#)



[Miscellaneous](#)



[Confirmation](#)

[Miscellaneous](#)

### Environment

[Environmental Con-  
firmations](#)

[Environmental Con-  
firmations](#)

### Further information

**Information on the packaging**

<https://support.industry.siemens.com/cs/ww/en/view/109813875>

**Information- and Downloadcenter (Catalogs, Brochures,...)**

<http://www.siemens.com/lowvoltage/catalogs>

**Industry Mall (Online ordering system)**

<https://mall.industry.siemens.com/mall/en/en/Catalog/product?mlfb=5ST3770-0HG>

**Service&Support (Manuals, Certificates, Characteristics, FAQs,...)**

<https://support.industry.siemens.com/cs/ww/en/ps/5ST3770-0HG>

Image database (product images, 2D dimension drawings, 3D models, device circuit diagrams, ...)

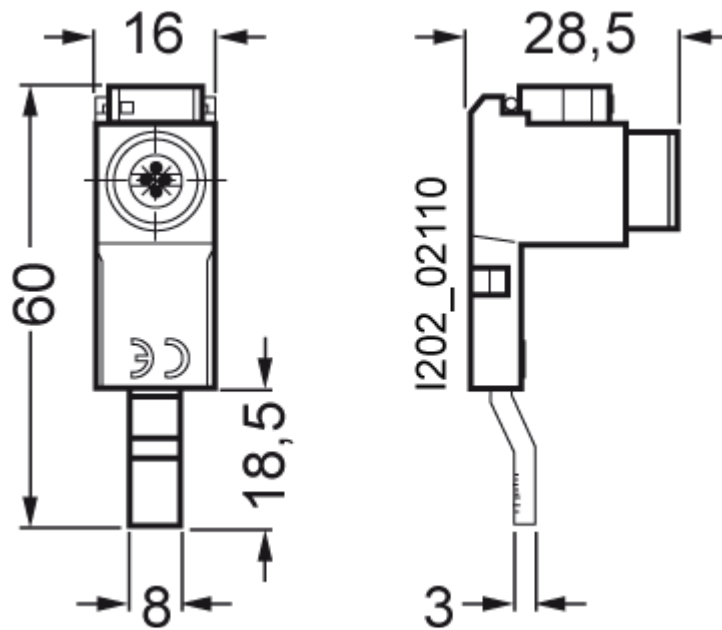
[http://www.automation.siemens.com/bilddb/cax\\_en.aspx?mfb=5ST3770-0HG](http://www.automation.siemens.com/bilddb/cax_en.aspx?mfb=5ST3770-0HG)

CAX-Online-Generator

<http://www.siemens.com/cax>

Tender specifications

<http://www.siemens.com/specifications>



last modified:

7/5/2024

