

För icke direkt toleranssatta mått gäller toleransklass  
General tolerances if not otherwise stated

| NOM DIM MM |      | TOL CLASS |      |      |
|------------|------|-----------|------|------|
| From       | To   | A         | B    | C    |
| (1)        | 6    | ±0.05     | ±0.1 | ±0.2 |
| (6)        | 30   | ±0.1      | ±0.2 | ±0.5 |
| (30)       | 100  | ±0.15     | ±0.3 | ±0.8 |
| (100)      | 300  | ±0.2      | ±0.5 | ±1.2 |
| (300)      | 1000 | ±0.3      | ±0.8 | ±2   |

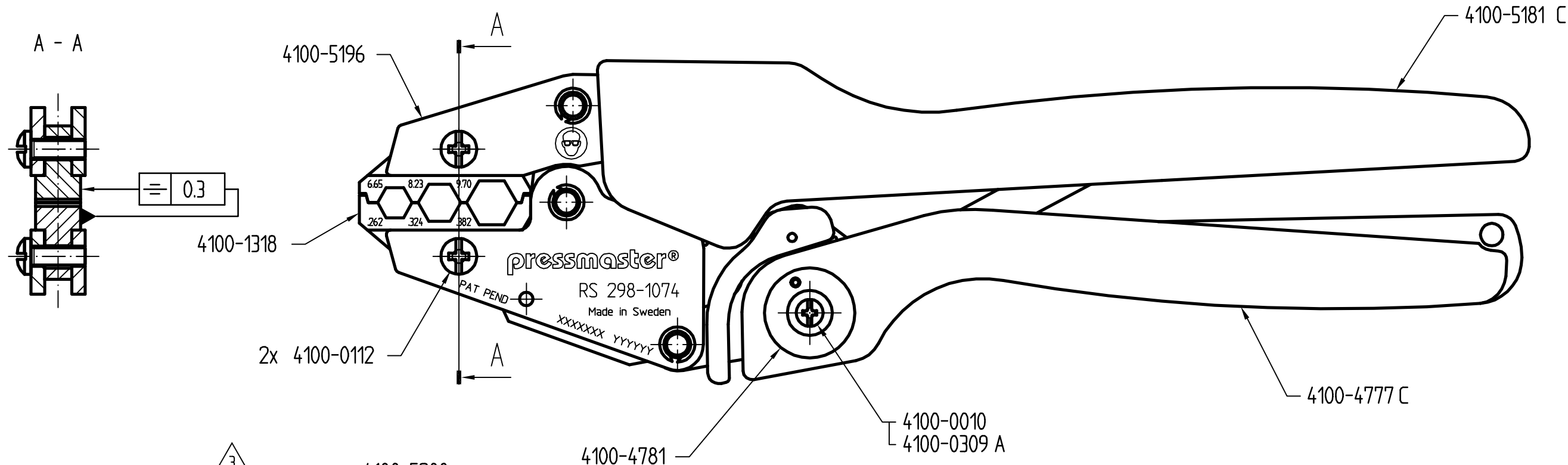
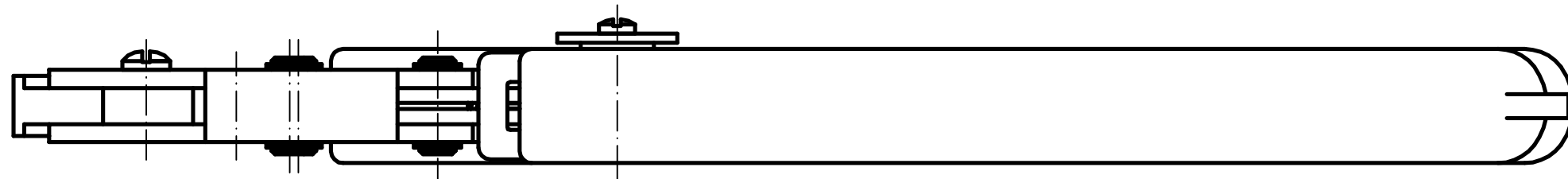
Hål / Holes H13

Skarpa kanter brutna där ej annat anges.  
No sharp edges unless otherwise specified.

Övriga generella toleranser enligt ritning 4100-4644.  
Additional general tolerances in accordance with drawing 4100-4644.

MÄRKT ENLIGT RITNING 4101-0261 H  
MARKED IN ACCORDANCE WITH DRAWING 4101-0261 H

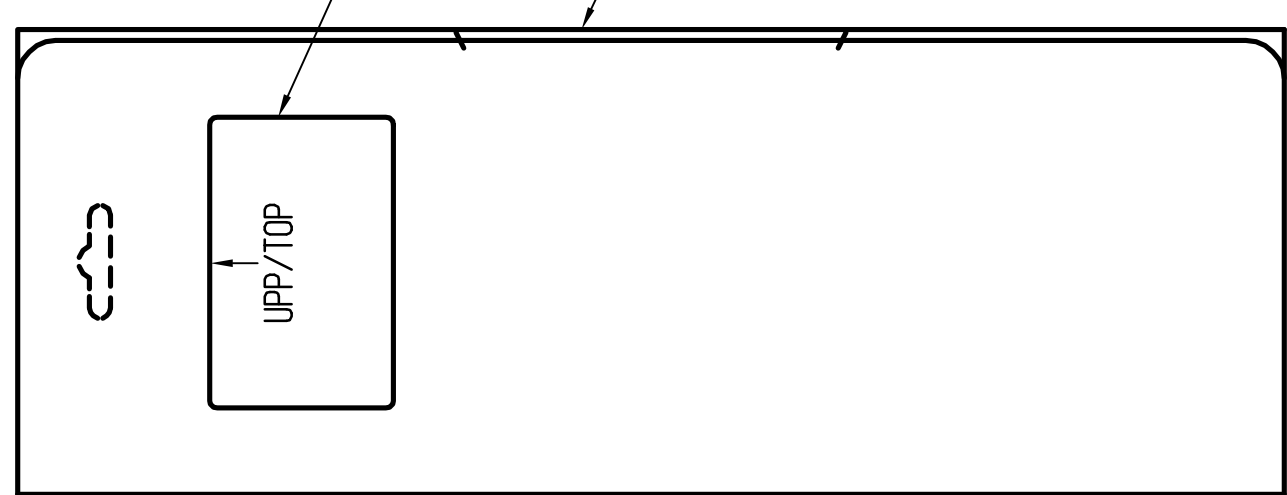
| Rev | Change order | Change: A = Added W = Was D = Deleted | Date   | Sign |
|-----|--------------|---------------------------------------|--------|------|
| 3   | 1014994000   | 4101-0274 ÄNDRAD/CHANGED              | 021017 | SE   |
| 4   | 1016252000   | 4101-0261H ÄNDRAD/CHANGED             | 030508 | SE   |



4101-0274  
4100-5200  
4100-4787

FÖRSPÄNNING / PRELOAD: 150 ± 20 N

| Tolkmått / Gauge dimensions (mm) |              |                    |
|----------------------------------|--------------|--------------------|
| URTAG<br>NEST                    | Gåtolk<br>GO | Stopptolk<br>NO GO |
| 6.65                             | Ø6.60        | Ø6.70              |
| 8.23                             | Ø8.18        | Ø8.28              |
| 9.70                             | Ø9.65        | Ø9.75              |



Denna ritning är Pressmaster AB:s egendom. Skyddad av gällande lag.  
This drawing is the property of Pressmaster AB. Protected in accordance with prevailing law.

|                            |                   |                      |                    |   |                    |                              |
|----------------------------|-------------------|----------------------|--------------------|---|--------------------|------------------------------|
| Material                   |                   | Behandling/Treatment |                    |   | Status<br>PreLutc. |                              |
| Konstr/Design<br>OS        | Ritad/Drawn<br>LJ | Datum/Date<br>980420 | Skala/Scale<br>1:1 | Kontr/Checked   | Godk/Approved      | Ämne/Blank                   |
| <b>pressmaster®</b>        |                   |                      |                    | Benämning/Denomination<br>Krimptång 298-1074<br>CRIMPING TOOL |                    | Vikt/Weight,gram<br>43002438 |
| ISO 9001<br>REG NR FM13687 |                   |                      |                    | Art grp<br>012  |                    | REV<br>004                   |