

Type: **041616080**

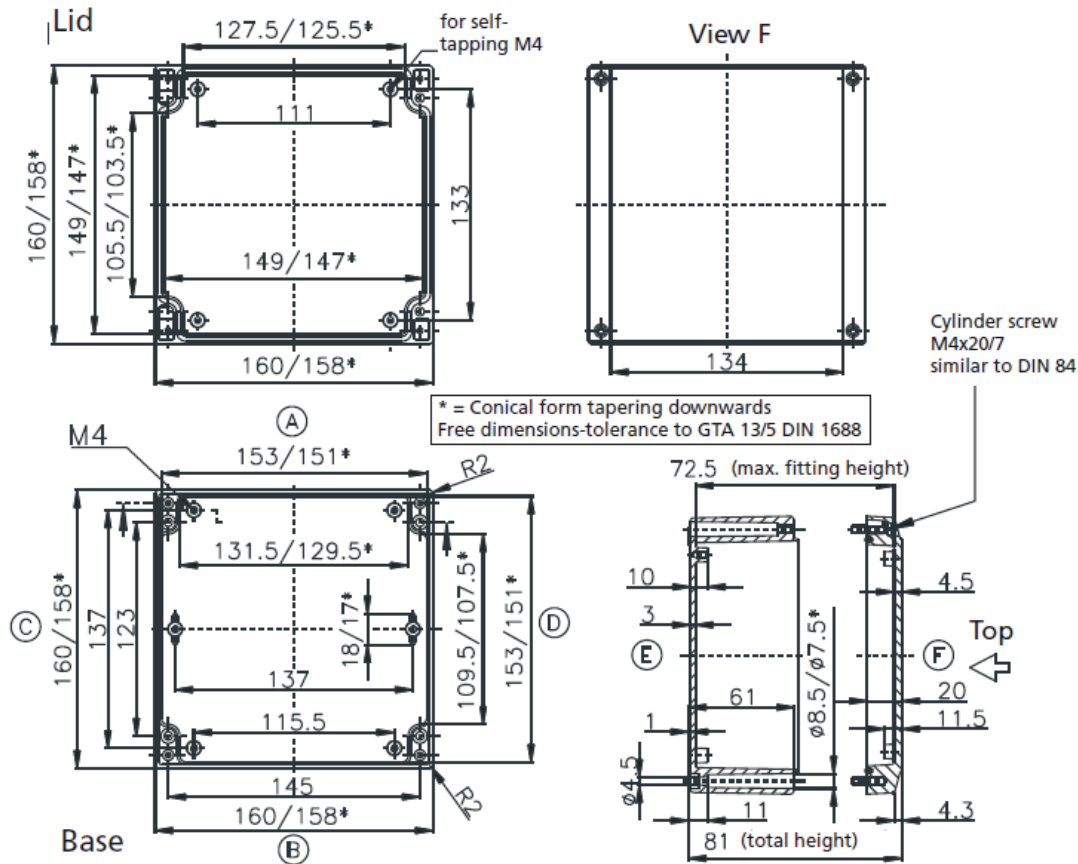
External dimensions: **160 x 160 x 81 mm**

Weight: **1120 g**

DIN rail length in mm	max. fitting length in mm	Mounting plate (thickness in mm)	External mounting brackets	External hinge* set	EMC version	SWB / SBGL corrosion protection	Allen lid screws	Silicone lid seal	Sealable lid screws in steel	Lid safety strip
TS 15/TS 35										
148	130	2	•	•	•	•	•	•	•	•

Maximum number of cable glands to DIN 50262\*

M	Corner dim.	Side		PG	Corner dim.	Side	
		A/B	C/D			A/B	C/D
12	17.25	21	18	7	17.25	21	18
16	25.30	10	8	9	21.85	12	10
20	27.60	8	7	11	25.30	10	8
25	37.95	4	3	13.5	27.60	8	7
32	48.30	3	2	16	31.05	5	4
40	60.95			21	37.95	3	3
50	69.00			29	48.30	2	2
63	74.75			36	60.95		
				42	69.00		
				48	74.75		



DATE	17 MAY 2017	7330 Executive Way Frederick, MD 21704 (301) 696-9411 voice (301) 696-9494 fax	
SHEET	1		
DESCRIPTION	ENCLOSURE, ALUFORM, ALUMINUM 160 X 160 X 81MM, RL 7038		
SIZE	DRAWING NUMBER	<b>041616080</b>	REV
A			-