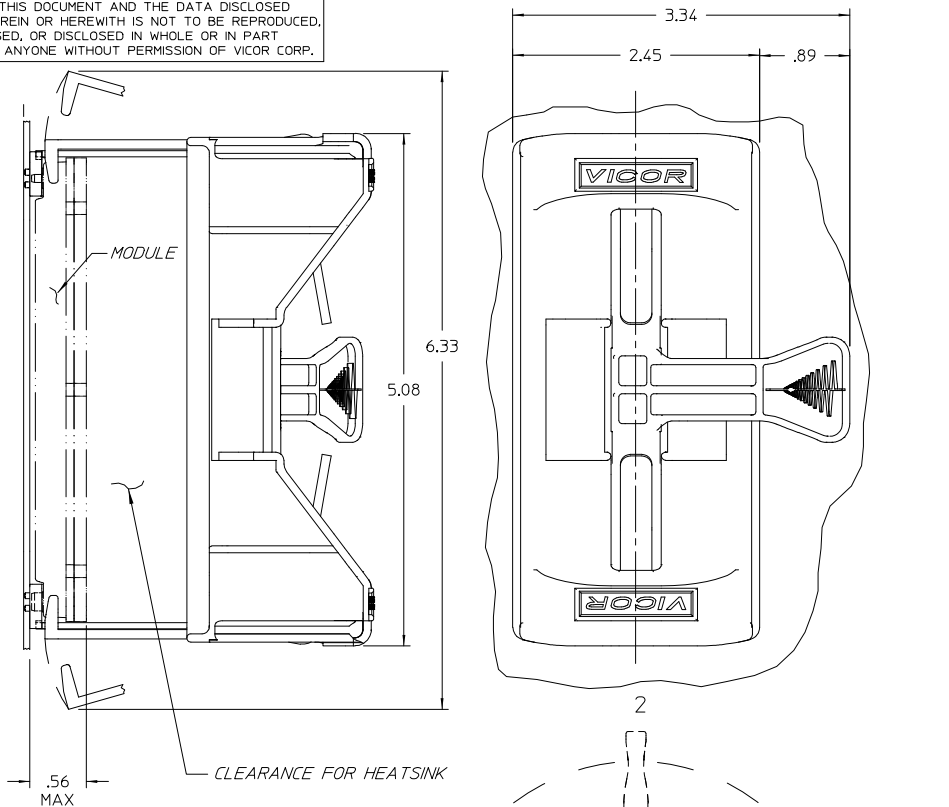


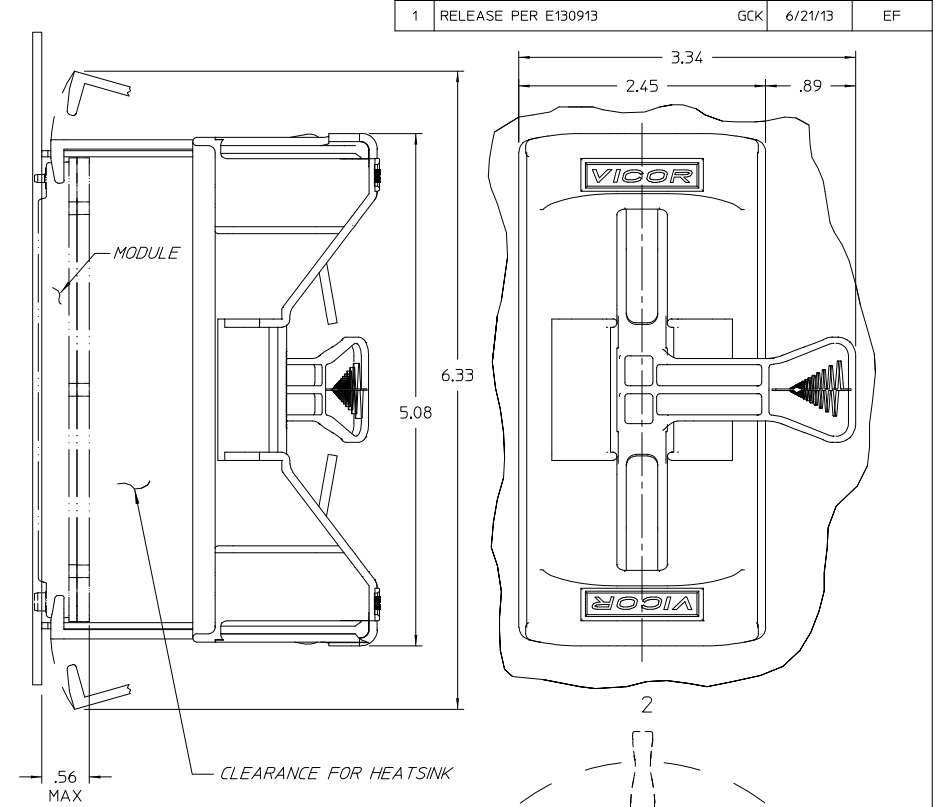
VICOR CONFIDENTIAL

THIS DOCUMENT AND THE DATA DISCLOSED HEREIN OR HERewith IS NOT TO BE REPRODUCED, USED, OR DISCLOSED IN WHOLE OR IN PART TO ANYONE WITHOUT PERMISSION OF VICOR CORP.

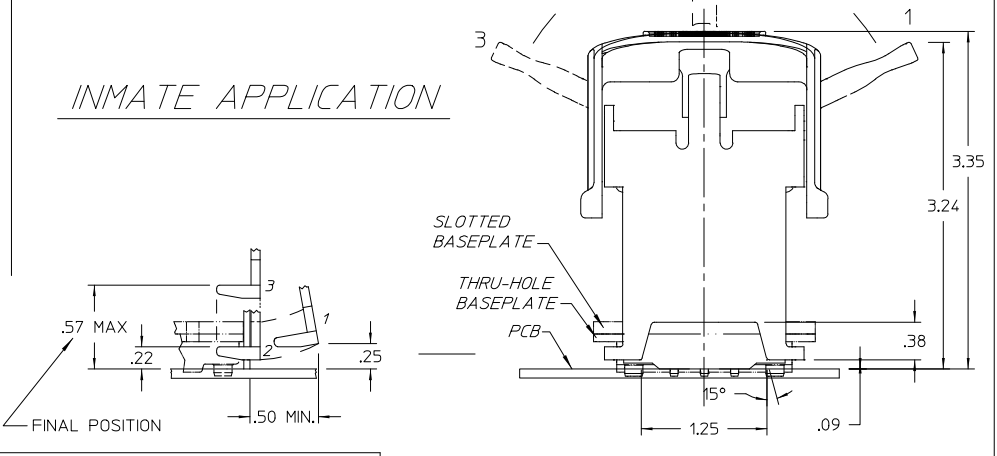
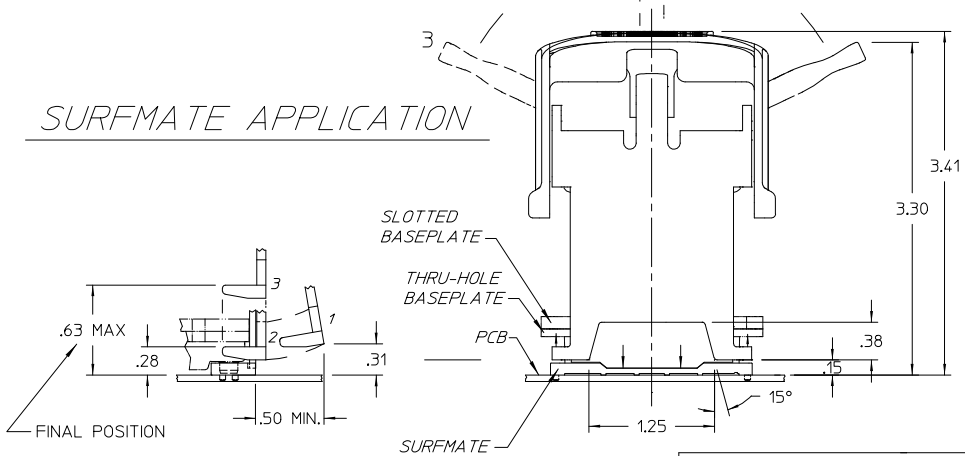
| REV. | DESCRIPTION | DATE | APPROVED |
|------|---------------------|-------------|----------|
| 1 | RELEASE PER E130913 | GCK 6/21/13 | EF |



SURFMATE APPLICATION



INMATE APPLICATION



- NOTES:
- MATERIAL:
 FRAME & HOOKS: 1020 CRS
 HANDLE, CAMS, & CAM BLOCKS: PPS RYTON R4 (BLACK)
 COVER: URETHANE, BRS 200 (BLACK)
 - ALL DIMENSIONS ARE INCH.
 - HOOK TRAVEL WORKS WITH ALL MODULE APPLICATIONS. SEE TABLE.
 - RoHS COMPLIANT PER CST-0001 LATEST REVISION.

| Acceptable Applications | | | | | | |
|--------------------------|-----------|----------------|------|----------|---------------|----------|
| Mounting Style | Pin Style | Baseplate Type | | | Heatsink Type | |
| | | Slot | Thru | Threaded | Thru | Threaded |
| In-Board (InMATE) | I | X | X | X | X | X |
| On-Board (InMATE) | I | X | X | X | X | X |
| | II | X | X | X | X | X |
| Surface Mount (SurfMATE) | I | X | X | X | X | X |

DRAWN BY
LAP NGUYEN

DATE
11/00

UNLESS OTHERWISE SPECIFIED DIMENSIONS ARE IN INCHES. TOLERANCES ARE:
 FRACTIONS DECIMALS ANGLES
 +1/64 .XX+ .01 °1°
 .XXX-.005 °1°

THIRD ANGLE PROJECTION

DO NOT SCALE DRAWING

VICOR

APPS DWG, VI-900
MODULE EXCHANGE TOOL

| | | | |
|------------------|--------------------------|-------------------------|-----------------|
| SIZE C | FSCM NO. 67131 | DWG NO. 23283 | REV 1 |
| SCALE 1:1 | SHEET 1 OF 1 | | |

Mouser Electronics

Authorized Distributor

Click to View Pricing, Inventory, Delivery & Lifecycle Information:

[Vicor:](#)

[22827](#)