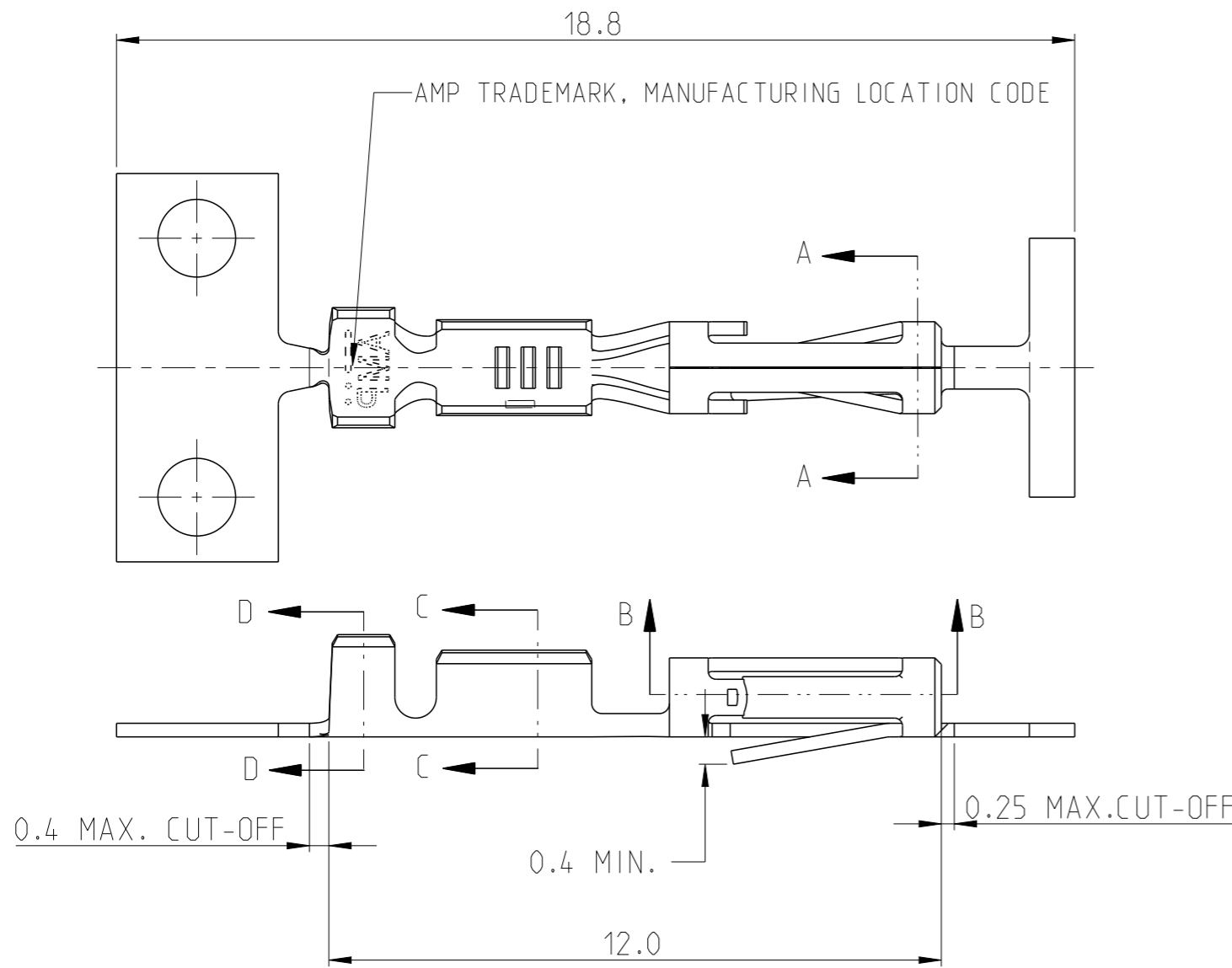
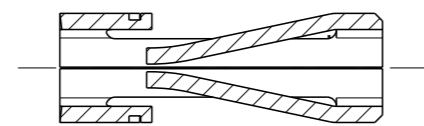
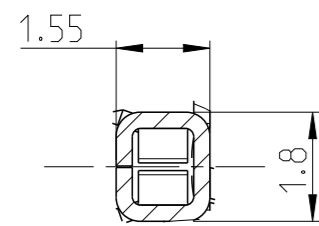


P	LTR	DESCRIPTION	DATE	DWN	APVD
D		REV. PER E100-0094-94 OBSOLETE P.N. 182913-1	APR1999	-	-
E		FATTO SHUSSO ECR-07 ADDED CHAMFER 013145	04JUN2007	-	-
F		STANDARDIZATION OF PLATING AND SPLICING	21AUG2024	GVP	KJK
F1		SECTION NAME UPDATED	05SEP2024	GVP	KJK



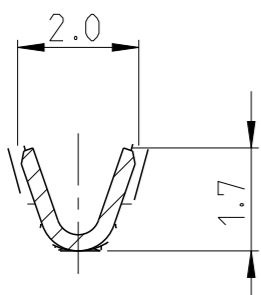
NOTE:

1. MATERIAL: PHOSPHOR BRONZE.
2. FINISH: GOLD PLATED 0.8 μm IN CONTACT AREA AND GOLD FLASH ON REMAINDER EXCEPT FOR CUTTING EDGES (GOLD FLASH IS NOT MANDATORY ON THE PILOTED CARRIER STRIP) OVER 1.3 μm NICKEL.
3. FOR MINI-APPLICATOR P/N 783541-1 & -2.
4. FOR HANDTOOL P/N 783560-1.
5. CURRENT CAPACITY IS 3A MAX. DUE TO MATING PART.
6. P.N. OBSOLETE
7. SPLICING - MAXIMUM 1 LOOSE END PER REEL IS ALLOWED.

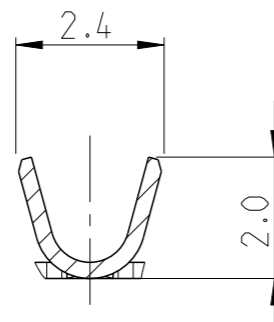


SECTION A-A

SECTION B-B



SECTION C-C



SECTION D-D

INS. DIA. RANGE 1.6 MM MAX.	WIRE RANGE 0.2-0.5 MM ² (24-20 AWG)	NOTE 1 & 2	6 182913-1	281999-1
		MATL. & FINISH	LOOSE-PIECE PART NUMBER: NOTE 4	STRIP PART NUMBER: NOTE 3
THIS DRAWING IS A CONTROLLED DOCUMENT.		DWN G. CAMPIA 03NOV1989	TE Connectivity	
DIMENSIONS: mm		CHK R. CANTORE 03NOV1989		
TOLERANCES UNLESS OTHERWISE SPECIFIED: ±0.3mm		APVD -	NAME AMPMODU II, REC. CONTACT, STD. PRESSURE, C.O.S.I.	
0 PLC ± 1 PLC ± 2 PLC ± 3 PLC ± 4 PLC ± ANGLES ±2°		PRODUCT SPEC 108-20025		
MATERIAL		APPLICATION SPEC 114-20004	SIZE A3	CAGE CODE 00779
FINISH		WEIGHT 0.108 g	DRAWING NO C-281999	RESTRICTED TO -
		CUSTOMER DRAWING	SCALE 8:1	SHEET 1 OF 1
				REV F1