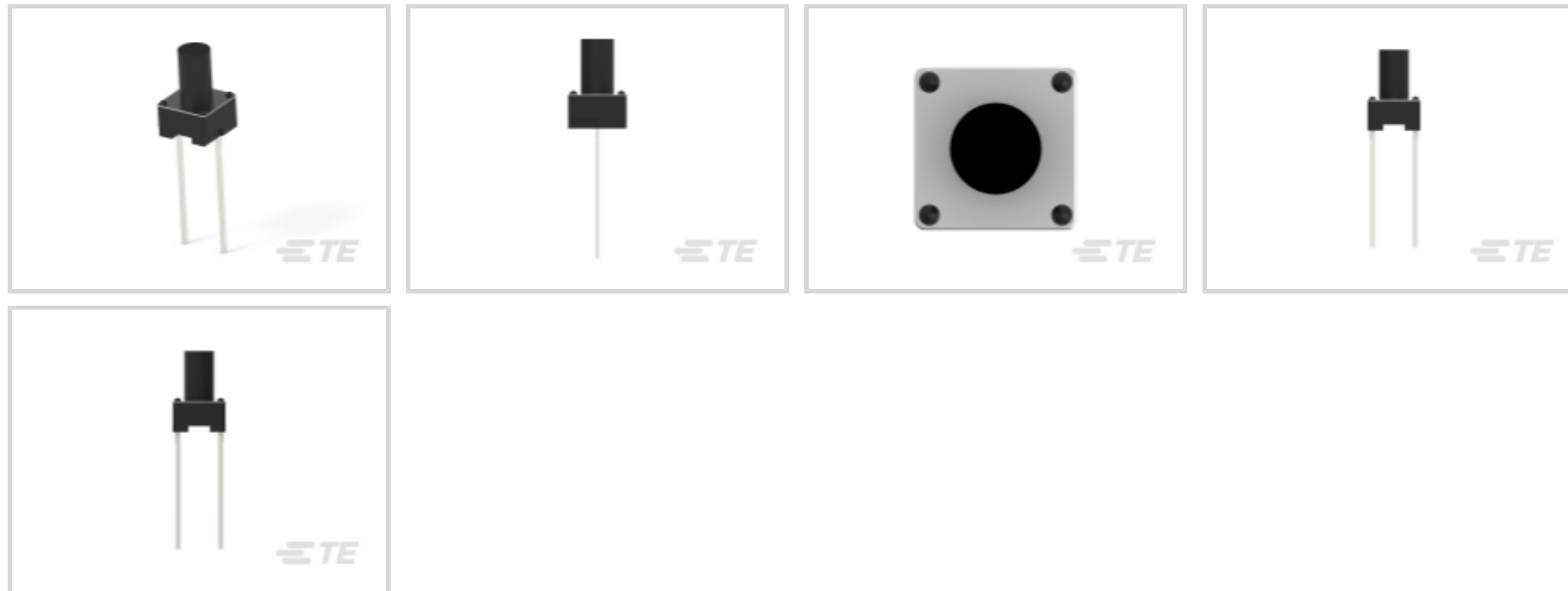




Switches > Tactile Switches



Actuator Style: **Round**

Operating Function: **NO**

Contact Base Material: **Copper Alloy**

Switch Contact Plating Material: **Silver**

Low Profile: **With**

## Features

### Product Type Features

Switch Connection Type	Printed Circuit Board
Leg Style	Through Hole
Illuminated	With
Actuator Style	Round

### Configuration Features

ESD Grounding Terminal	Without
Ganged	With
Switch Feedback Type	Tactile
Operating Function	NO
Support Bracket	Without
Configuration (Pole-Throw)	Single Pole - Single Throw
Number of Actuators	Single

### Electrical Characteristics

Operating Voltage	24 VDC
-------------------	--------

### Body Features

Cover Material	Steel
Actuator Force	160 g[5.64 oz]
Case Material	Polyamide
Actuator Profile	Extended
Actuator Material	Polyacetal Resin
Case Color	Black
Product Orientation	Vertical
Actuator Color	Black

### Contact Features

Contact Base Material	Copper Alloy
Switch Contact Plating Material	Silver
Contact Current Rating	50 mA

### Termination Features

Termination Method to PCB	Through Hole - Solder
---------------------------	-----------------------

### Housing Features

Low Profile	With
Process Sealed	No

### Dimensions

Actuator Length	5.9 mm[.232 in]
Button Width	3.5 mm[.138 in]
Product Height	9.5 mm[.374 in]

### Usage Conditions

Operating Temperature Range	-35 – 105 °C
-----------------------------	--------------

### Packaging Features

Packaging Method	Radial Tape
------------------	-------------

### Product Compliance

[For compliance documentation, visit the product page on TE.com>](#)

EU RoHS Directive 2011/65/EU	Compliant
EU ELV Directive 2000/53/EC	Compliant
China RoHS 2 Directive MIIT Order No 32, 2016	No Restricted Materials Above Threshold



EU REACH Regulation (EC) No. 1907/2006

Current ECHA Candidate List: JUNE 2024 (241)

Candidate List Declared Against: JUNE 2024 (241)

Does not contain REACH SVHC

Halogen Content

Low Halogen - Br, Cl, F, I < 900 ppm per homogenous material. Also BFR/CFR/PVC Free

Solder Process Capability

Wave solder capable to 265°C

Product Compliance Disclaimer

This information is provided based on reasonable inquiry of our suppliers and represents our current actual knowledge based on the information they provided. This information is subject to change. The part numbers that TE has identified as EU RoHS compliant have a maximum concentration of 0.1% by weight in homogenous materials for lead, hexavalent chromium, mercury, PBB, PBDE, DBP, BBP, DEHP, DIBP, and 0.01% for cadmium, or qualify for an exemption to these limits as defined in the Annexes of Directive 2011/65/EU (RoHS2). Finished electrical and electronic equipment products will be CE marked as required by Directive 2011/65/EU. Components may not be CE marked. Additionally, the part numbers that TE has identified as EU ELV compliant have a maximum concentration of 0.1% by weight in homogenous materials for lead, hexavalent chromium, and mercury, and 0.01% for cadmium, or qualify for an exemption to these limits as defined in the Annexes of Directive 2000/53/EC (ELV). Regarding the REACH Regulation, the information TE provides on SVHC in articles for this part number is based on the latest European Chemicals Agency (ECHA) 'Guidance on requirements for substances in articles' posted at this URL: <https://echa.europa.eu/guidance-documents/guidance-on-reach>

## Compatible Parts



TE Part # 1825910-6  
FSM4JH=6MM TACT SWITCH, HIGH TEMP



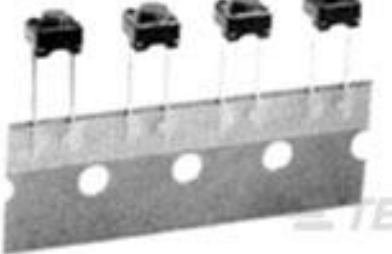
TE Part # 2-1825910-7  
FSM14JH=6MM TACT SWITCH, HIGH TEMP



TE Part # 4-1437565-2  
FSM4JSMATR=TACT SWITCH 6X6MIL



TE Part # 3-1437565-0  
FSM2JSMATR=ON T/R



TE Part # 147871-1  
FSM8JART=TACTILE,PB SWITCH



TE Part # 2-1977223-8  
FSM14JSMAS=6MM TACT SWITCH, SMT 160gf

Also in the Series | [Alcoswitch FSMJRT](#)



Tactile Switches(5)

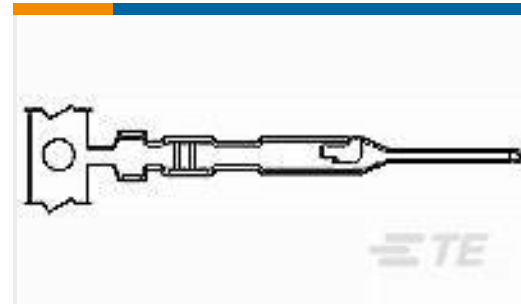
## Customers Also Bought



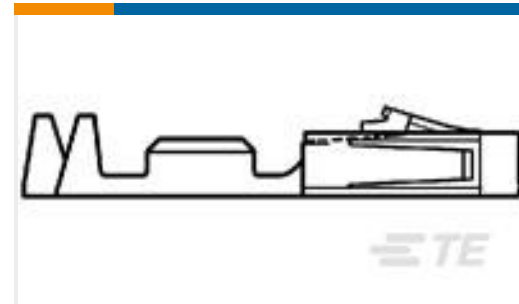
TE Part #2-1879464-2  
RL73H 2H R91 1% 4K RL



TE Part #103653-3  
04 MTE SHRD PIN HSG SR LATCH



TE Part #5-104505-7  
MTE PIN LP



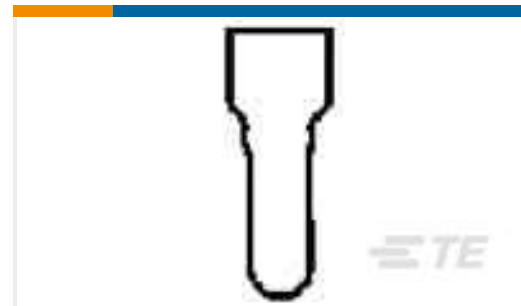
TE Part #1-104479-3  
SHORT POINT RECP CONT LP



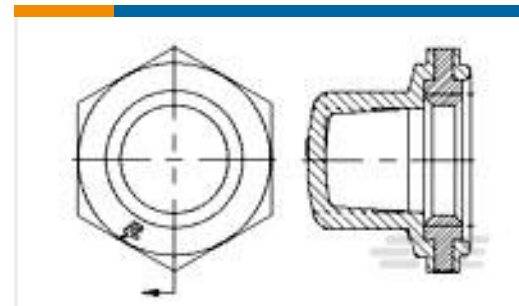
TE Part #103653-5  
06 MTE SHRD PIN HSG SR LATCH



TE Part #1-1415390-1  
PE014F05



TE Part #1-35115-0  
SPLICE,N CE 22-14



TE Part #1825604-1  
BPA1440004=Boot,Pushbutton



TE Part #6609059-2  
3EZ1=F7328 S0



TE Part #5-103960-3  
5X4 MTE RCPT SR LATCH .100CL

## Documents

### CAD Files

Customer View Model

[ENG\\_CVM\\_CVM\\_147694-1\\_P.2d\\_dxf.zip](#)

English

### 3D PDF

3D

Customer View Model

[ENG\\_CVM\\_CVM\\_147694-1\\_P.3d\\_igs.zip](#)



English

**Customer View Model**

[ENG\\_CVM\\_CVM\\_147694-1\\_P.3d\\_stp.zip](#)

English

By downloading the CAD file I accept and agree to the [Terms and Conditions](#) of use.

**Datasheets & Catalog Pages**

[SWITCHES\\_CORE\\_PROGRAM\\_CATALOG](#)

English