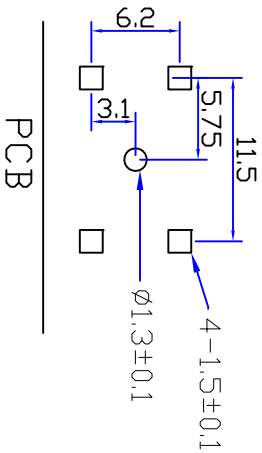
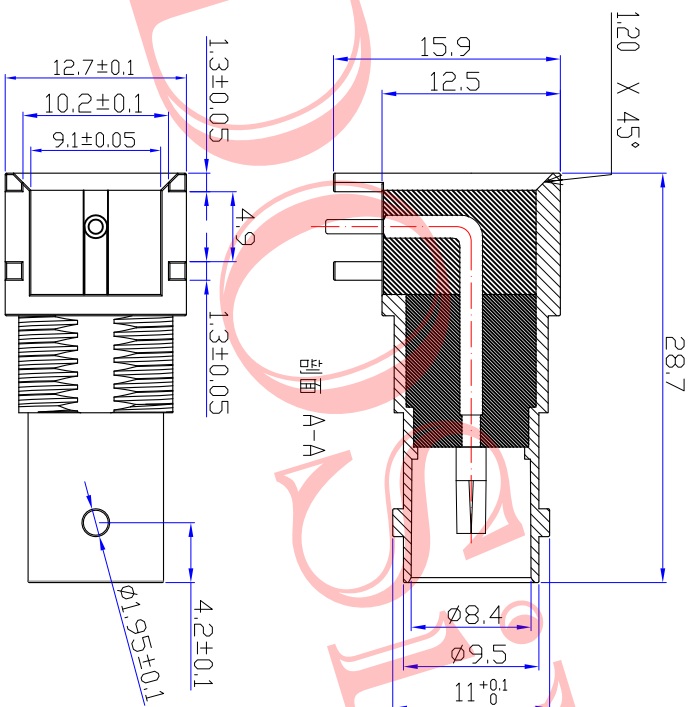
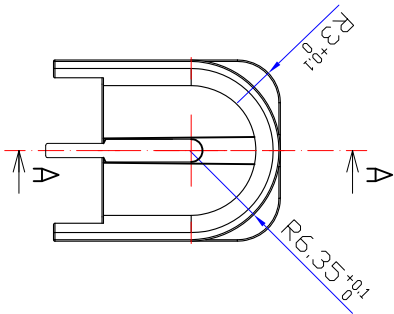
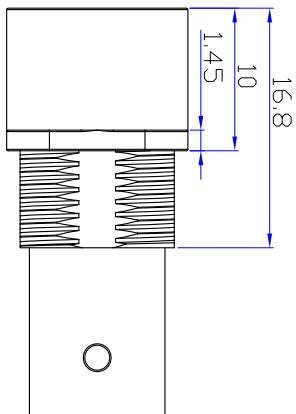




Product NO.		DOSIN-801-0134		
REV	DESCRIPTION	DWN	DATE	APPROVEN
A	First Issue	JJM	2012/11/02	John kime



Specifications

Impedance: 75 Ohms
 Frequency Range: DC~3G
 VSWR: 1.3MAX
 Working Voltage: 500V rms @ sea level
 Insulation Resistance: 5000 Ohms min
 Temperature Range: -55°C T0 +155°C
 Relative Temperature: ≤95% (40°C ±2°C)
 Drawings products are in line with ROHS standards

3	INSULATOR	PPO	WHITE	1
2	BODY	Zinc	NICKEL	1
1	PIN	Brass	GOLD	1
NO	DESCRIPTION	MATERIAL	FINISH	QTY

NOTE:	DRAWN	2012/11/10	Tolerance	0-6 6-30 30-120 Angular	±0.02 ±0.02 ±0.02 ±2°
CHECKED	Zelin.Zhang	10	View	MM	1:1
APPROVALS	John	12/04.2012	UNIT	SCALE	

Name: BNC CONNECTOR
 Dosin Industrial(HK) Co., Ltd
 东莞市德奈五金电子有限公司
 Dosin Hardware Electronics Co., Ltd
 E-mail: dosin2005@163.com
 dosin2005@dosin-china.com
 Web: http://www.dosinconn.com
 TEL: (0086) 769-81153906
 FAX: (0086) 769-81875836

SIZE	Product NO.	CAD FILE	SHEET: 1 OF 1
A	DOSIN-801-0134	D/company drawings/BD	
Date/Time	2012/11/02		