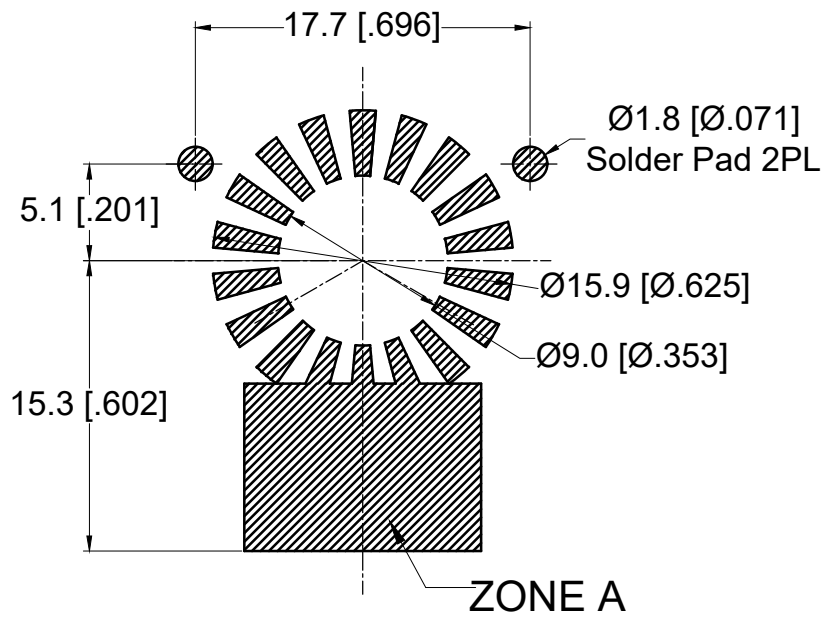


RECOMMENDED LAND PATTERN :

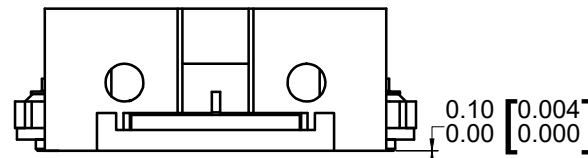
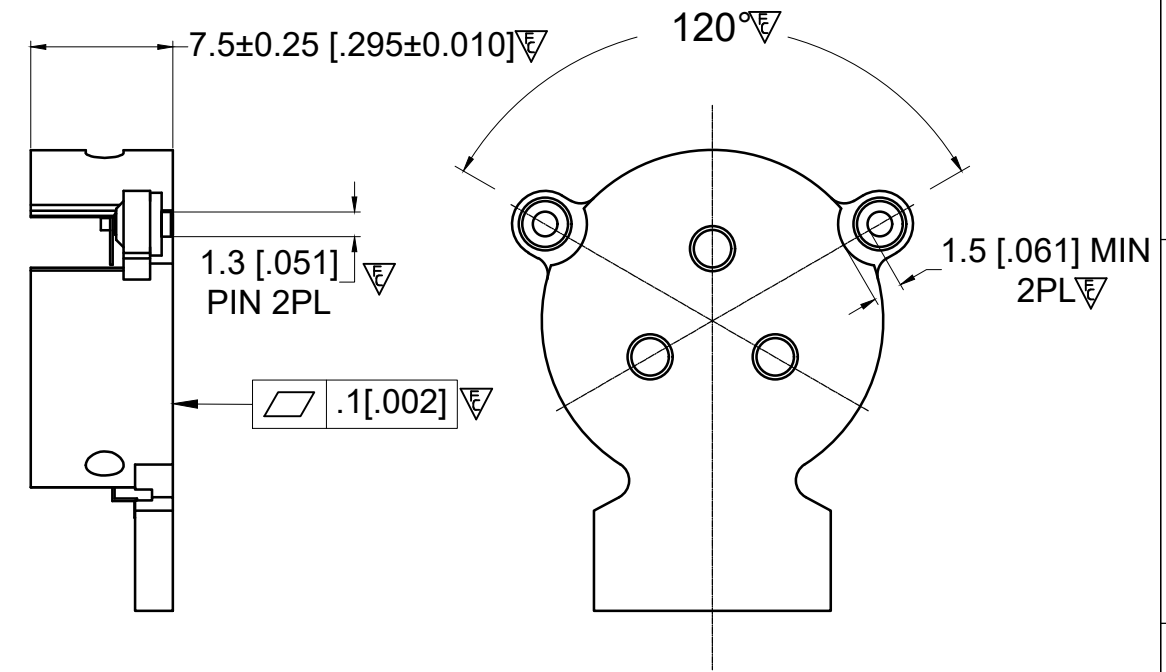
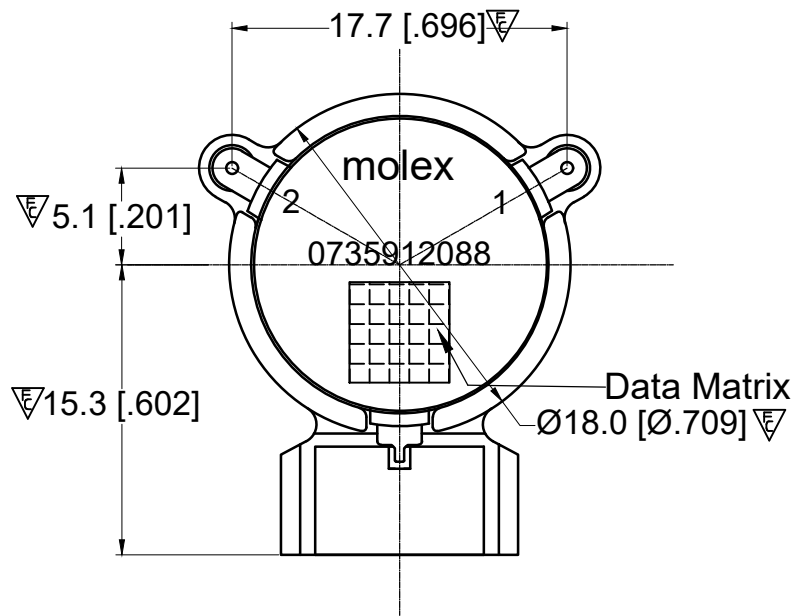
Zone A must be attached to heat sink. Thermal conductivity of intermediate layers between Zone A and heat sink must be better than 0.1 W / [°C x mm].



PCB MATERIAL:ROGERS 4350B 20MIL

ELECTRICAL SPECIFICATION :

- Frequency Range : 2110 to 2170 MHz
- Isolation (In Band) : 28 dB Min
- Insertion Loss : 0.18 dB Max
- FWD Power : 150W (CW)
- Peak Power : 1000 W
- REV Power : 60 W
- Return Loss : 25 dB Min
- IMD (2 x 65 W, 1 MHz space) : -70 dBc Max
- 2nd Harmonics : 10 dBc
- 3rd Harmonics : 5 dBc
- Operating Temperature : -40°C to +120°C
- +120°C to +130°C : power capacity and reliability no change , other spec.reduce 10%
- Storage Temperature : -40°C to +130°C
- Direction : CCW



BODY: CARBON STEEL, SILVER PLATED

RIGID PINS: COPPER, SILVER PLATED

NOTES:

1. STANDARD INPUT/OUTPUT IMPEDANCE 50 OHM
2. LEAD FREE, NO ND MATERIAL, BEO FREE
- 3.THE DIMENSION OF THE DATA MATRIX IS 5.3MM*5.3MM, INFORMATION INCLUDED WORK ORDER NUMBER-SERIAL NUMBER-MATERIAL NUMBER
- 4.THIS PART COMPLIES WITH ALL ROHS REQUIREMENTS.

ENG PART#: 811-211-217-WC140

THIS DRAWING CONTAINS INFORMATION THAT IS PROPRIETARY TO MOLEX ELECTRONIC TECHNOLOGIES, LLC AND SHOULD NOT BE USED WITHOUT WRITTEN PERMISSION									
FUNCTIONAL SYMBOLS	DIMENSION UNITS	SCALE	CURRENT REV DESC:						
▽=0	MM	1:1	RELEASE TO PROD						
▽=0	GENERAL TOLERANCES (UNLESS SPECIFIED)		molex						
▽=0			SMSJ ISOLATOR/2110~2170MHZ/CCW						
DIVISIONAL SYMBOLS	mm INCH		RESTRICTED PRODUCT CUSTOMER DRAWING						
1 PLACE	±0.25	±----	EC NO: 696580		DRWN: SREN05		2022/02/21		DOCUMENT NUMBER
3 PLACES	±0.025	±----	CHK'D: JLI252		2022/02/23		735912088		
2 PLACES	±0.13	±----	APPR: HWANG186		2022/03/01		PSD	000	A
0 PLACES	±0.4	±----	INITIAL REVISION:		DRWN: SREN05		2021/12/08		MATERIAL NUMBER
ANGULAR TOL ± 1.5 °			APPR: HWANG186		2022/03/01		CUSTOMER		
DRAFT WHERE APPLICABLE MUST REMAIN WITHIN DIMENSIONS		THIRD ANGLE PROJECTION	DRAWING	SERIES	MATERIAL NUMBER	CUSTOMER	SHEET NUMBER		
		⊕	A3-SIZE	73591	0735912088	CUSTOM PART	1 OF 1		