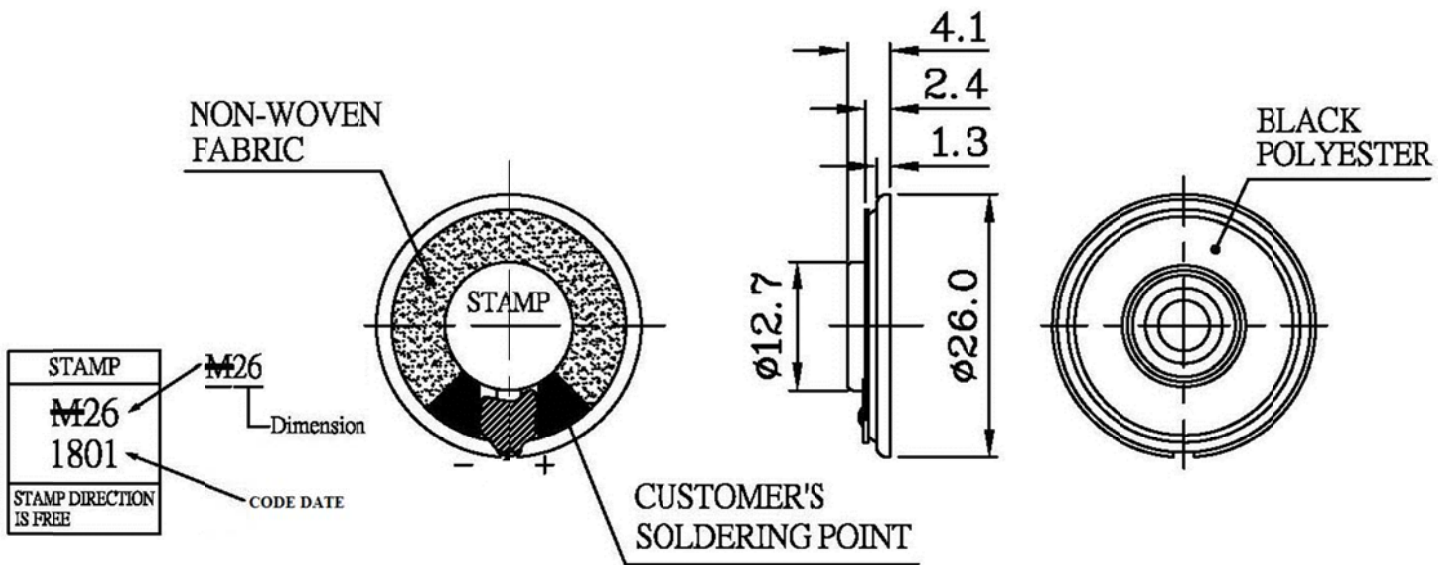


Specifications:

| | |
|------------------------|--|
| Impedance (Ω) | $8 \pm 15\%$ at 1000 Hz at 1.0 V |
| Rated Power (W) | 0.2 |
| Max Power (W) | 0.3 |
| Resonance Freq Fo (Hz) | $520 \pm 20\%$ at 1.0 V |
| Frequency Range (Hz) | Fo ~ 6500 |
| Output S.P.L. (dB) | 92 ± 3 at .2w/.1m 1.0k, 1.2k, 1.5k, 2.0kHZ 79 ± 3 at 1w/1m 1.0k, 1.2k, 1.5k, 2.0kHZ |
| Frame Material | Metal |
| Operating Temp | -20 to 55°C |
| Weight (g) | 5.0 |
| Options | For other options contact factory |

Dimensions: ± 0.3 (units: mm)

ROHS Compliant



Mouser Electronics

Authorized Distributor

Click to View Pricing, Inventory, Delivery & Lifecycle Information:

[Mallory Sonalert:](#)

[PSR26N08AK](#)