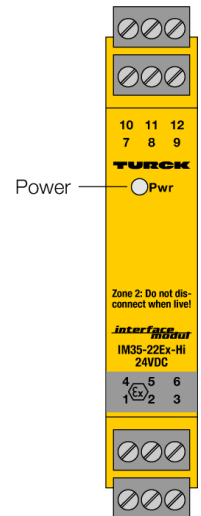
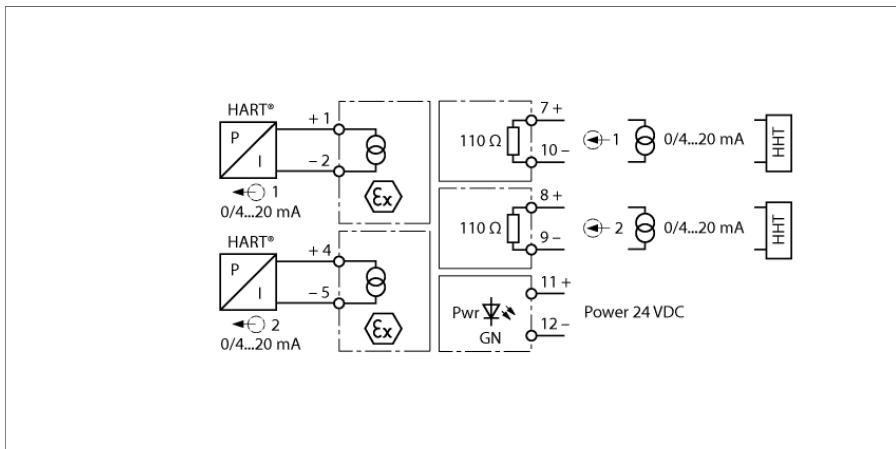


**Analog Signal Isolator
2-channel
IM35-22EX-HI/24VDC**



The 2-channel IM35-22EX-HI/24VDC signal isolator is designed to transmit the normalized current signal galvanically isolated 1:1 from the non-Ex area to the Ex-area. In addition to the analog signal, also digital HART[®] communication signals can be transmitted bidirectionally.

Typical applications are for example, the control of I/P converters (at control valves for example) or indicators in the Ex-area.

The actuators are connected to the output terminals 1/2 and 4/5. Handheld terminals [HHT] can be connected to the output and input terminals 7/10 and 8/9.

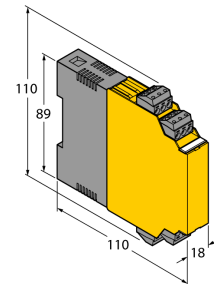
In addition, the removable terminal blocks are equipped with 2 mm test sockets for signal control.

- ATEX, IECEx, UL, cFM_{us}, TR CU, KOSHA, CCOE
- Installation in zone 2
- Intelligent actuators supplied via HART[®] communication interface
- Input circuits: 0/4...20 mA
- Output circuits: 0/4...20 mA, intrinsically-safe
- SIL2
- Removable terminal blocks, screwable, with 2 mm test box
- Complete galvanic isolation
- Input reverse-polarity protected

**Analog Signal Isolator
2-channel
IM35-22EX-HI/24VDC**

Type designation	IM35-22EX-HI/24VDC
Ident-No.	7506515
Nominal voltage	24 VDC
Operating voltage range	19...29 VDC
Power consumption	≤ 2.2 W
Input current	0/4...20 mA
Input resistance (current)	≤ 110 Ω
Output circuits	
Output current	0/4...20 mA
Load resistance, current output	≤ 0.6 kΩ
Rise time (10...90 %)	≤ 90 ms
Fall time (90...10 %)	≤ 90 ms
Measuring accuracy (including linearity, hysteresis and repeatability)	≤ 0.1 % of full scale
Reference temperature	23 °C
Temperature drift	≤ 0.005 % of full scale/K
Galvanic isolation	
Test voltage	2.5 kV
Important note	For Ex-applications the values specified in the corresponding Ex certificates (ATEX, IECEx, UL, etc.) apply.
Ex approval acc. to conformity certificate	TÜV 03 ATEX 2311
Application area	II (1) G, II (1) D
Ignition protection category	[Ex ia Ga] IIC; [Ex ia Da] IIIC
Ex approval acc. to conformity certificate	TÜV 06 ATEX 553057 X
Application area	II 3 G
Ignition protection type	Ex nA [ic Gc] IIC T4 Gc
Characteristic	trapezoidal
Important note	If the device is used in applications to achieve functional safety according to IEC 61508, the safety manual must be used. Information in the data sheet are not valid for functional safety.
Approval	SIL 2 acc. to EXIDA FMEDA
Use in SIL safety circuits	SIL 2 acc. to IEC 61508
Approval	SIL 2 acc. to EXIDA FMEDA
Indication	
Operational readiness	green
Protection class	IP20
Flammability class acc. to UL 94	V-0
Ambient temperature	-25...+70 °C
	-25 ... +60 °C für UL, FM
Storage temperature	-40...+80 °C
Dimensions	110 x 18 x 110 mm
Weight	172 g
Mounting instructions	DIN rail (NS35) or panel
Housing material	Polycarbonate/ABS
Electrical connection	4 × 3-pin removable terminal blocks with test socket, reverse polarity protected, screw terminal
Terminal cross-section	1 x 2.5 mm ² / 2 x 1.5 mm ²
Tightening torque	0.5 Nm

Dimensions



**Analog Signal Isolator
2-channel
IM35-22EX-HI/24VDC**

Accessories

Type code	Ident-No.	Description	Dimension drawing
IM-CC-3X2BU/2BK	6900475	Cage clamp terminals for IM modules (Ex-devices with 18 mm overall width); includes: 2 pcs. 3-pin blue terminals and 2 pcs. 3-pin black terminals.	