



Washer for EMERGENCY STOP, yellow, with inscription (Polish):
Zatrzymanie symbol 5638, Awaryjne symbol 5638, Outer diameter 45 mm,
Inside diameter 22.5 mm, Thickness 2 mm

product brand name	SIRIUS ACT
product designation	EMERGENCY STOP plate
product type designation	3SU1
General technical data	
shock resistance for railway applications acc. to DIN EN 61373	Category 1, Class B
vibration resistance for railway applications acc. to DIN EN 61373	Category 1, Class B
Accessories	
material of accessory	Plastic
fastening method of label	without
marking of backing plate	ZATRZYMANIE, SYMBOL IEC 60417-5638 , AWARYJNE, SYMBOL IEC 60417-5638
shape of backing plate	Round
color of backing plate	yellow/black (plate/text)
product function illuminated backing plate	No
printed ISO symbols	ZATRZYMANIE, SYMBOL IEC 60417-5638 , AWARYJNE, SYMBOL IEC 60417-5638

Certificates/ approvals

General Product Approval	Declaration of Conformity
--------------------------	---------------------------



[Miscellaneous](#)

[Miscellaneous](#)



Test Certificates Marine / Shipping

[Type Test Certificates/Test Report](#)



other

[Confirmation](#)

Further information

Information- and Downloadcenter (Catalogs, Brochures,...)

<https://www.siemens.com/ic10>

Industry Mall (Online ordering system)

<https://mall.industry.siemens.com/mall/en/en/Catalog/product?mlfb=3SU1900-0BA31-0ND0>

Cax online generator

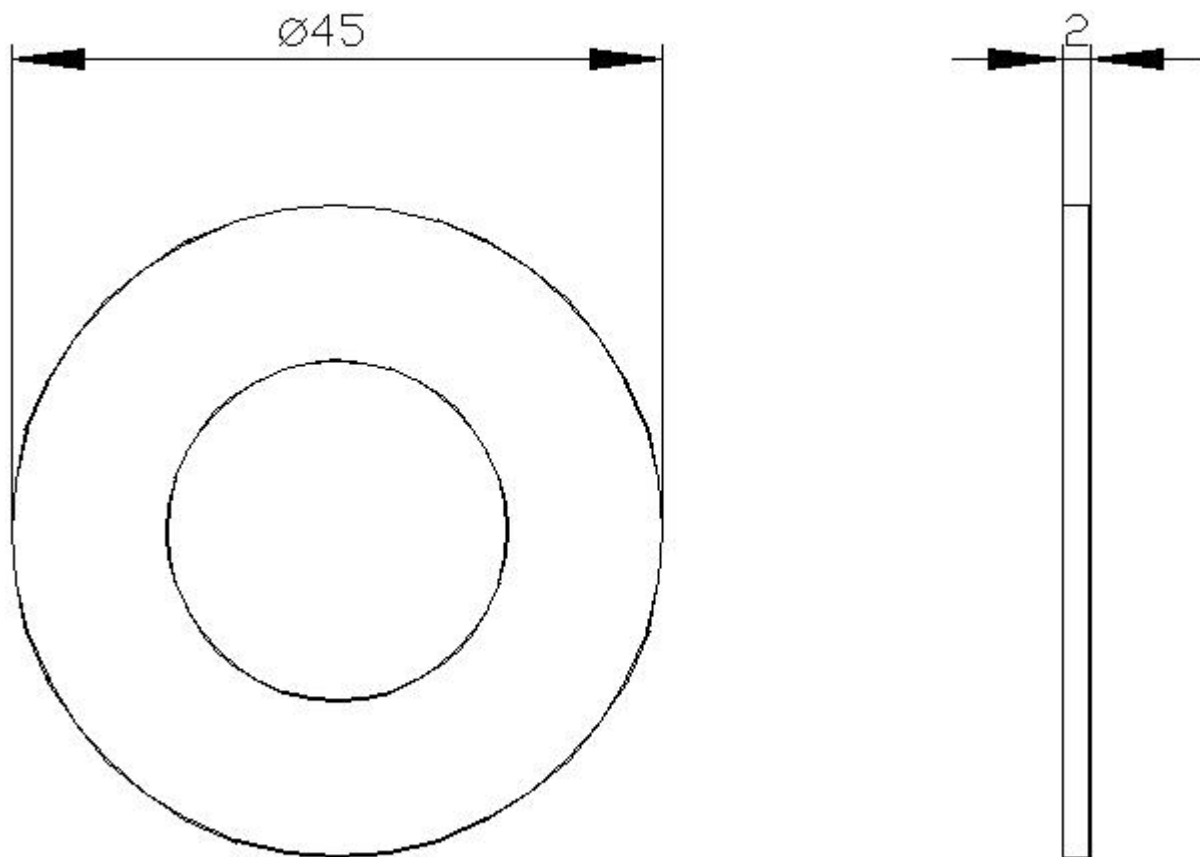
<http://support.automation.siemens.com/WW/CAXorder/default.aspx?lang=en&mlfb=3SU1900-0BA31-0ND0>

Service&Support (Manuals, Certificates, Characteristics, FAQs,...)

<https://support.industry.siemens.com/cs/ww/en/ps/3SU1900-0BA31-0ND0>

Image database (product images, 2D dimension drawings, 3D models, device circuit diagrams, EPLAN macros, ...)

http://www.automation.siemens.com/bilddb/cax_de.aspx?mlfb=3SU1900-0BA31-0ND0&lang=en



last modified:

11/24/2020 