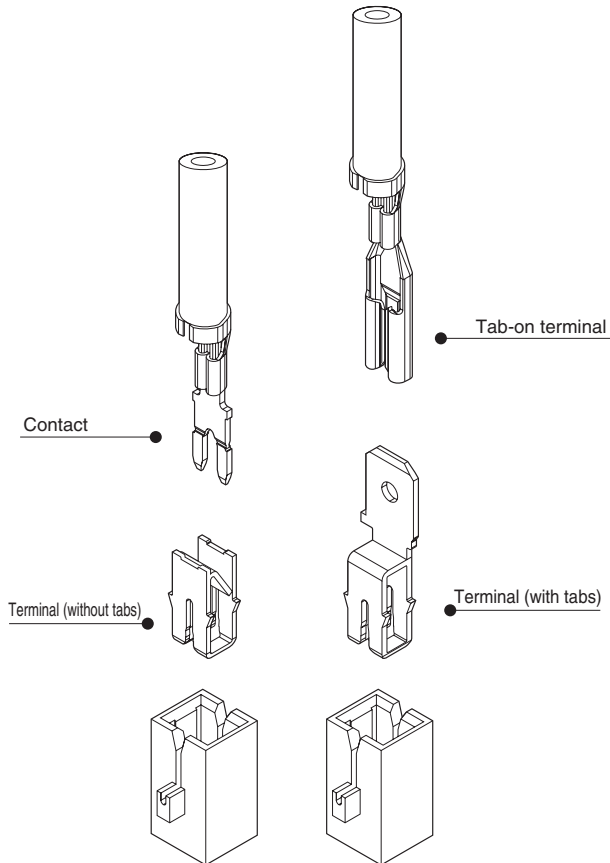


MG CONNECTOR

MG connector typical connection method and kind



MG connector is designed for connecting copper magnetic wire and used in various insulation coating. Insertion of various magnetic wires is easy and efficient, and MG connector provides excellent electrical connection.

- ***No coating removing treatment in advance***
- ***Stable connection***
- ***Reliable electrical performance***

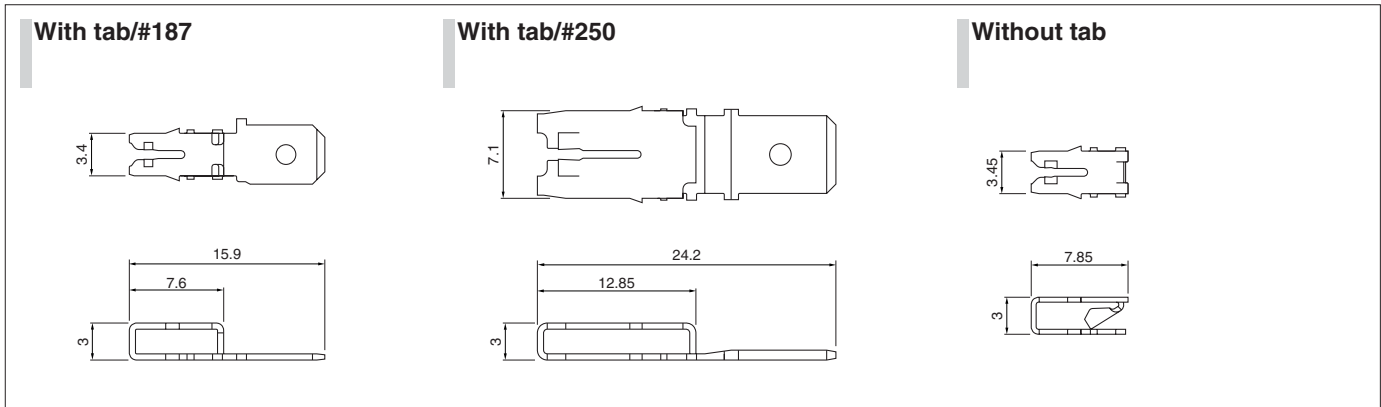
Standards

 Recognized E70188

- * Compliant with RoHS.
- * Refer to "General Instruction and Notice when using Terminals and Connectors" at the end of this catalog.
- * Contact JST for details.

MG CONNECTOR

Terminal



Type	Model No.	Applicable wire (Reference)			Q'ty / reel
		Tin-plated	Conductor O.D. (mm)	AWG #	
With tabs	#187...for 0.5mm thick tabs	MGT-10T-187	0.36~0.57	27~23	10,000
		MGT-15T-187	0.64~0.81	22~20	10,000
		MGT-24T-187	0.91~1.29	19~16	10,000
Without tabs	—	* MGT-24T-250	0.91~1.29	19~16	5,000
		* MGT-6TN	0.25~0.36	30~27	10,000
		* MGT-10TN	0.36~0.57	27~23	10,000
		* MGT-15TN	0.64~0.81	22~20	10,000
		* MGT-24TN	0.91~1.15	19~17	10,000

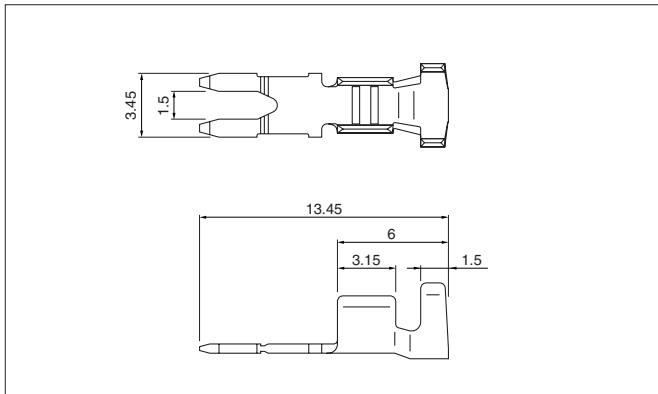
Material and Finish

Copper alloy, copper-undercoated, tin-plated

RoHS compliance MGT-()T-187 displays (SN) on a label.

Note: 1. The applicable wire size above serves as a basic guideline. Before use, performance of this connector must be tested with the wire and housing that is to be used.
2. *Marked products are not UL approved.

Contact



Model No.	Applicable wire		Insulation O.D. (mm)	Q'ty / reel
	mm ²	AWG #		
* SMG-21T	0.33~0.83	22~18	1.5~2.9	6,000

Material and Finish

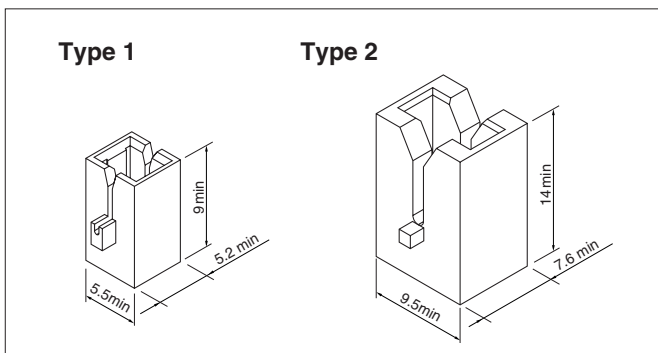
Copper alloy, copper-undercoated, tin-plated

RoHS compliance

Note: *Marked product is not UL approved.

Contact	Crimping machine	Applicator		
		Crimp applicator	Dies	Crimp applicator with dies
SMG-21T	AP-K2N	MKS-L	MK/SMG-21	APLMK SMG21
			MK/SMG-21-B	APLMK SMG21-B

Recommended housing



Name	Applicable terminal	Material
Type 1	MGT-10T-187	Glass filled engineering plastics
	MGT-15T-187	
	MGT-24T-187	
	* MGT-6TN	
	* MGT-10TN	
	* MGT-15TN	
Type 2	* MGT-24TN	
	* MGT-24T-250	

Note: 1. Contact JST for details.

2. *Marked products are not UL approved.