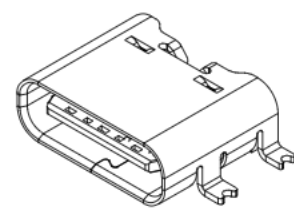


Pin	Signal	Mating Sequence
A5	CC1	Second
A9	V _{bus}	First
A12	GND	First
B5	CC2	Second
B9	V _{bus}	First
B12	GND	First
SHELL	GND	



Specifications

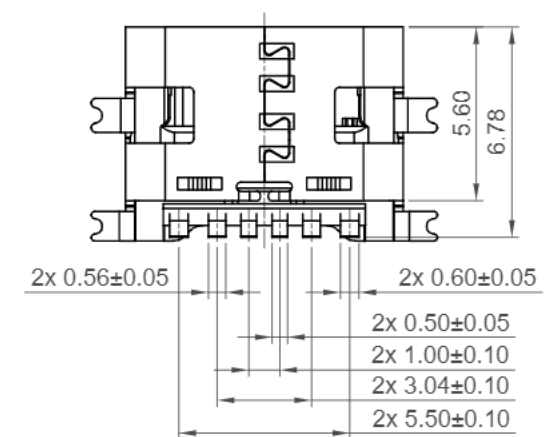
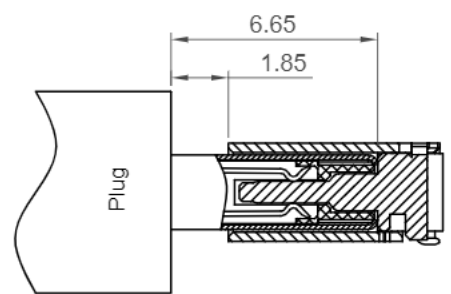
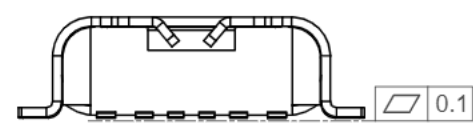
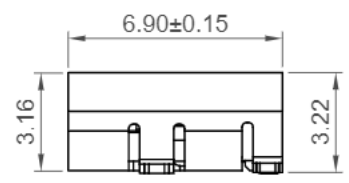
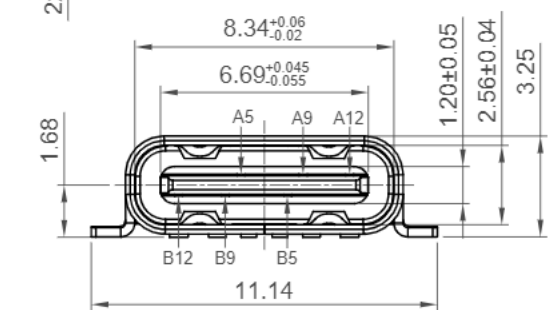
Material
 Insulator: LCP, UL 94V-0, Black
 Contact: Copper Alloy
 Shell: Stainless Steel
 Middle Plate: Stainless Steel

Plating
 Contact: Gold Flash All Over
 Shell: 50µ" min. Nickel
 Middle Plate: Clear

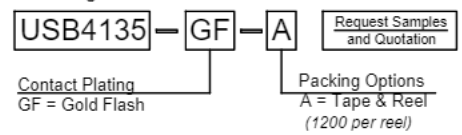
Electrical
 Current Rating: 3.00A collectively for VBUS pins
 4.25A collectively for GND pins
 1.25A for B5 pin
 0.25A for A5 pin

Voltage Rating: 20V DC
 Contact Resistance: 40mΩ max initial.
 50mΩ max after test
 Dielectric Withstanding Voltage: 100V AC
 Insulation Resistance 100MΩ min

Mechanical & Environmental
 Operating Temperature: -30°C to +85°C
 Mating Force: 5 to 20 N.
 Unmated Force: 6 to 20 N after test
 Durability: 20,000 cycles



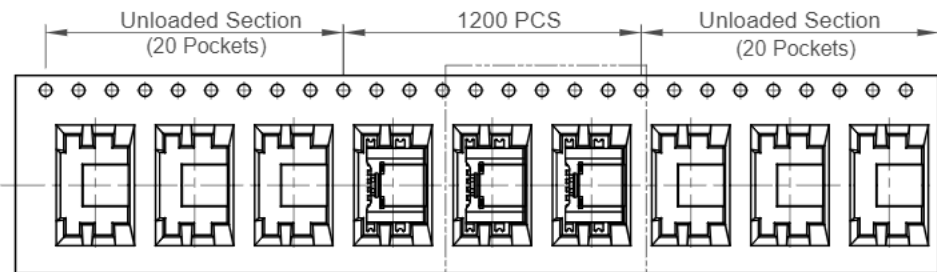
Ordering Grid



Part Number USB4135		Product Description Type C Receptacle, Horizontal, SMT, For Power Charging Only	
Drawing Date 21st January 2022			
By CC	Tolerances (Except as Noted) Length Angle	Units: Metric (mm)	 This drawing is confidential and copyright of Global Connector Technology, Ltd (GCT). This drawing must not be copied or disclosed without written consent. E & OE
Detail Drawing Release	X.X ± 0.30		
Revision A1	X.XX ± 0.25		
Date 22/11/22	X.XXX ± 0.10		



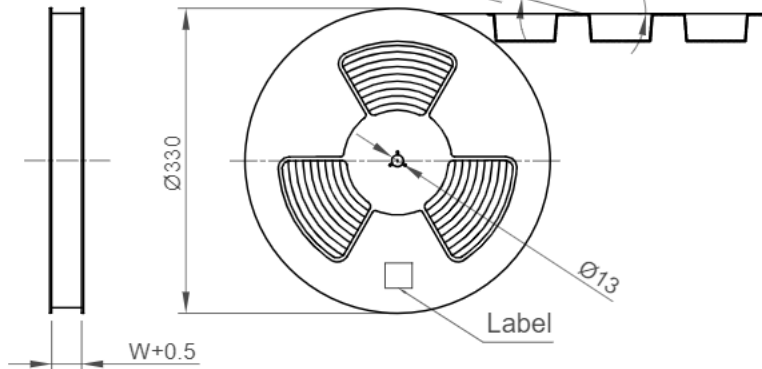
Not to Scale	Drawn By CC	Sheet No. 1/2
--------------	----------------	------------------



Direction of Unreeling

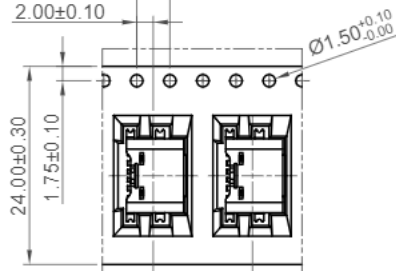
Detail E

Peeling Angle 165°~180°



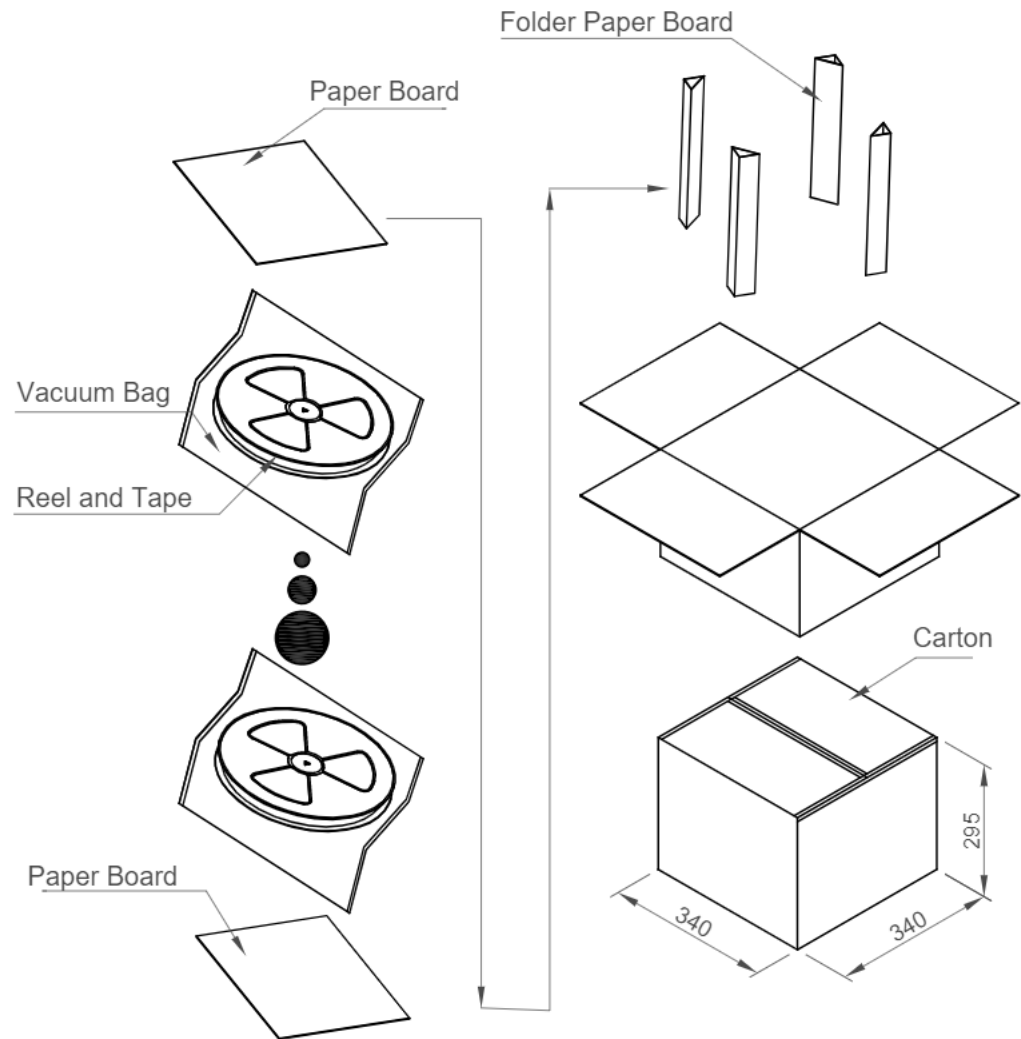
Direction of Unreeling

4.00±0.10
2.00±0.10



12.00±0.10

Detail: E



Pcs / Reel	Reels / Carton	Total Quantity
1200	9	10800 pcs

Part Number USB4135		Product Description Type C Receptacle, Horizontal, SMT, For Power Charging Only	
Drawing Date 21st January 2022			
By CC	Drawing Release	Tolerances (Except as Noted) Length X.X ± 0.30 X.XX ± 0.25 X.XXX ± 0.10	Units: Metric (mm)
Revision A1	Date 22/11/22	2nd Angle Projection	
Date		<small>This drawing is confidential and copyright of Global Connector Technology, Ltd (GCT). This drawing must not be copied or disclosed without written consent. E & OE</small>	

GCT
www.gct.co

Not to Scale Drawn By CC Sheet No. 2/2