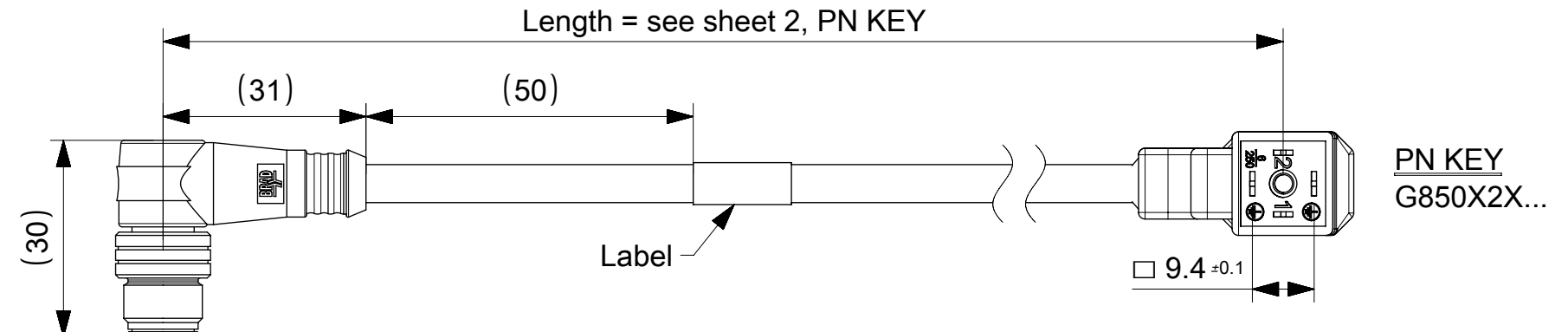
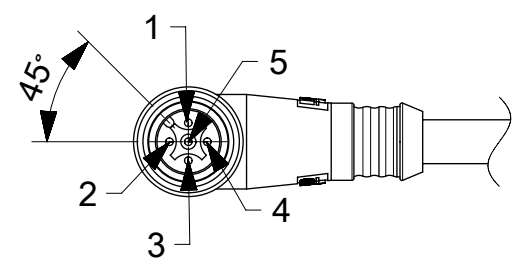
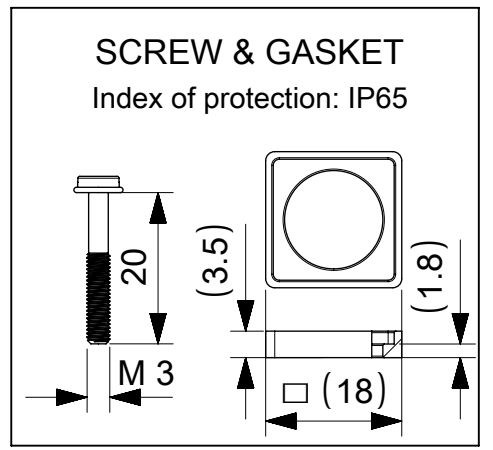


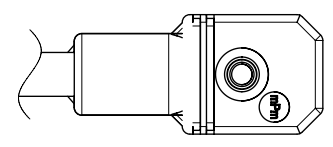
PN KEY  
G850X0X...



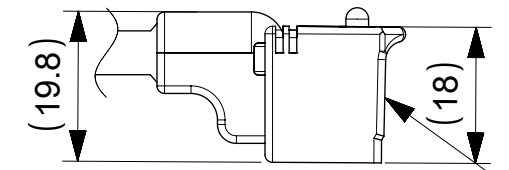
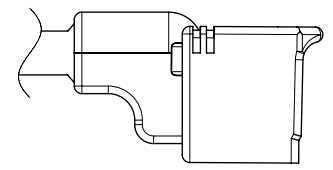
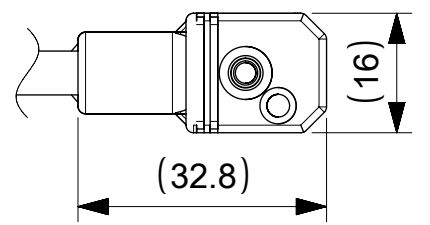
PN KEY  
G850X2X...



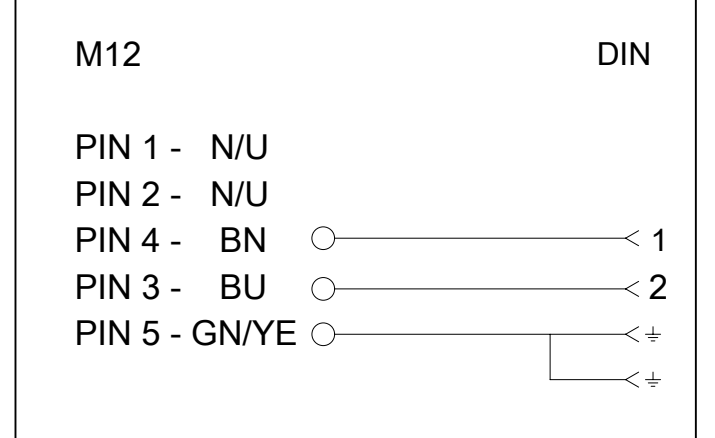
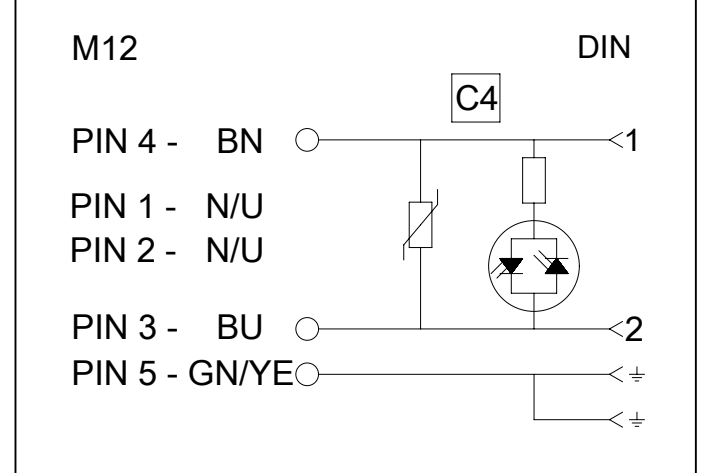
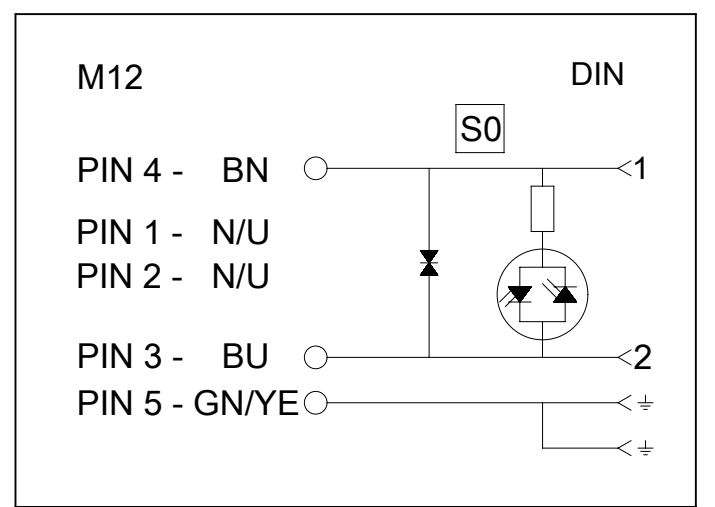
DIN Connector views  
for PNs without LED



DIN Connector views  
for PNs with LED



**ELECTRICAL DIAGRAMS**



**BILL OF MATERIALS**

ITEM	QTY.	DESCRIPTION
12	0/2	I/D CARRIER
11	0/1	PCB
10	1	GASKET
9	1	SCREW
8	4	CONTACT DIN
7	1	INSERT DIN MICRO
6	-	MOULDING MATERIAL PP
5	5	CONTACT MALE
4	1	M12 COUPLING NUT MALE
3	1	M12 INSERT 5P MALE
2	-	MOULDING MATERIAL TPU
1	-	CABLE

RELEASE STATUS: P1 | RELEASE DATE: 31.10.2017 07:50:26

Electrical diagram & mPm logo printed in white

THIS DRAWING CONTAINS INFORMATION THAT IS PROPRIETARY TO MOLEX ELECTRONIC TECHNOLOGIES, LLC AND SHOULD NOT BE USED WITHOUT WRITTEN PERMISSION

<b>QUALITY SYMBOLS</b> A = 0 E = 0 F = 0 G = 0 H = 0 I = 0 J = 0 K = 0 L = 0 M = 0 N = 0 O = 0	EC NO: 167233 DRWN: APAWLAK01 CHK'D: MIWASIECZKO APPR: MIWASIECZKO	2017/10/18 2017/10/31	<b>GENERAL TOLERANCES (UNLESS SPECIFIED)</b> ANGULAR TOL ± ° 4 PLACES ± 3 PLACES ± 2 PLACES ± 1 PLACE ± 0 PLACES ±	DIMENSION UNITS: mm SCALE: 1:1 DRWN BY: APAWLAK01 DATE: 2017/10/18 CHK'D BY: MIWASIECZKO DATE: 2017/10/31 APPR BY: MIWASIECZKO DATE: 2017/10/31	 <b>G850 DIN MICRO / MMC 5P MM</b> PRODUCT CUSTOMER DRAWING SERIES: 121036   MATERIAL NUMBER: SEE 1210360510 PDP   CUSTOMER: GENERAL MARKET DOCUMENT NUMBER: 1210360510   DOC TYPE: PSD   DOC PART: 000   SHEET NUMBER: 1 OF 2
	DRAFT WHERE APPLICABLE MUST REMAIN WITHIN DIMENSIONS	DRAWING SIZE: A3 THIRD ANGLE PROJECTION			

ENGINEERING NO. - NUMERICAL CODE (Available parts see PART LIST table. Others parts available upon request).

OPTIONS

**G 8 5 0 X X X X X X X X X X**

G=Form Micro (9.4mm contact spacing)

8=MMC M12 Connector

5=5 Poles

0=Default Standard Wiring

Electrical configuration:  
 0 = Without circuit  
 A = S0 24V Yellow LED  
 B = C4 24V Yellow LED  
 C = S0 110V Yellow LED  
 D = C4 110V Yellow LED  
 E = S0 24V Green LED  
 F = C4 24V Green LED  
 G = S0 110V Green LED  
 H = C4 110V Green LED  
 J = S0 24V Red LED  
 K = C4 24V Red LED  
 L = S0 110V Red LED  
 M = C4 110V Red LED  
 S = C4 230V Yellow LED

Cable type: See Table

Units: M=Meter

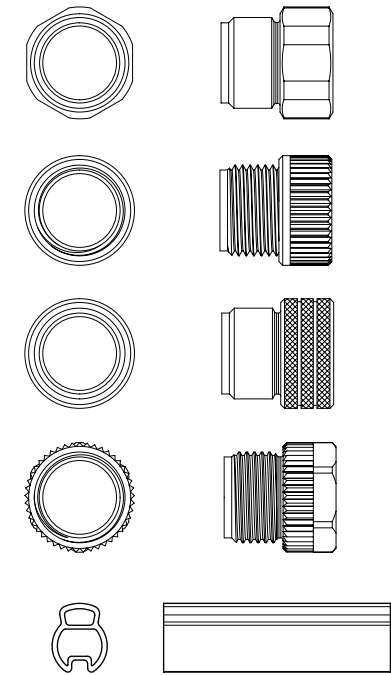
Length Examples:  
 005=0.5 units  
 010=1 units  
 100=10 units

DIN Earth Position - o'clock & M12 connector body:  
 0 = Earth H6/H12, Male Straight  
 2 = Earth H6/H12, Male Right Angle

Overmold color:  
 Blank (Standard)=Black  
 A=Grey / G=Black / Y=Yellow

Coupling Nut:  
 Blank (Standard)=Knurled Brass Ni Plated  
 1=Hexagonal Stainless steel  
 5=Knurled Derlin  
 7=Knurled Brass Ni Plated, Teflon Coated  
 9=Knurled / Hexagonal Brass Ni Plated

H= 2 pcs. of I/D Carrier PVC Transparent (Cables Ixx & P82 always with 2 pcs. I/D Carrier)



CABLE TYPE	NO. OF WIRES	CROSS SECTION	CABLE JACKET	UL	CSA	STATIC: TEMP. / BENDING RADIUS	DYNAMIC: TEMP. / BENDING RADIUS	SHIELD
A58	3	20AWG	PVC BLACK	UL 2661	C22.2 II A 105°C/300V	-30°C to +105°C, 10xO.D.	-5°C to +105°C, 15xO.D.	-
B31	3	0.50mm <sup>2</sup>	WSOR BLACK	UL 21215	-	-	-25°C to +80°C, 7.5xO.D.	-
E03	3	0.34mm <sup>2</sup>	PVC BLACK	UL 2464	CSA C22.2	-30°C to +80°C, 10xO.D.	-10°C to +80°C, 15xO.D.	-
E12	3	0.50mm <sup>2</sup>	PVC BLACK	-	-	-20°C to +70°C, 3xO.D.	-15°C to +70°C, 5xO.D.	-
I12	3	0.50mm <sup>2</sup>	CEI PVC GREY	-	-	-25°C to +70°C, 10xO.D.	-5°C to +70°C, 15xO.D.	-
P12	3	0.50mm <sup>2</sup>	PUR BLACK	-	-	-40°C to +90°C, 7.5xO.D.	-15°C to +90°C, 12.5xO.D.	-

Over	Up to and including	Tolerance
0	1000	±20
1000	3000	±30
3000	5000	±40
5000	10000	±50
10000	15000	±100
15000	20000	±150
20000		±L/100

- Notes:  
 1. Please see excel sheet 1210360510\_PDP for currently configured part numbers.  
 2. Drawing is a replacement for SD-121036-003

RELEASE STATUS P1 RELEASE DATE 31.10.2017 07:50:26

THIS DRAWING CONTAINS INFORMATION THAT IS PROPRIETARY TO MOLEX ELECTRONIC TECHNOLOGIES, LLC AND SHOULD NOT BE USED WITHOUT WRITTEN PERMISSION												
QUALITY SYMBOLS	2017/10/18	2017/10/31	GENERAL TOLERANCES (UNLESS SPECIFIED)		DIMENSION UNITS	SCALE						
			ANGULAR TOL ± °		mm	1:1						
▽A = 0	EC NO: 167233 DRWN: APAWLAK01 CHK'D: MIWASIECZKO APPR: MIWASIECZKO	REV: A	4 PLACES ±	APAWLAK01	DRWN BY DATE		G850 DIN MICRO / MMC 5P MM					
▽E = 0			3 PLACES ±		2017/10/18							
▽F = 0			2 PLACES ±	CHK'D BY DATE		PRODUCT CUSTOMER DRAWING						
▽ = 0			1 PLACE ±	MIWASIECZKO 2017/10/31								
▽C = 0			0 PLACES ±	DRAFT WHERE APPLICABLE MUST REMAIN WITHIN DIMENSIONS		DRAWING SIZE		THIRD ANGLE PROJECTION			SERIES	
▽ = 0			A3		A3		A3		121036	MATERIAL NUMBER		CUSTOMER
							SEE 1210360510 PDP		GENERAL MARKET			
							DOCUMENT NUMBER		DOC TYPE		DOC PART SHEET NUMBER	
							1210360510		PSD		000 2 OF 2	