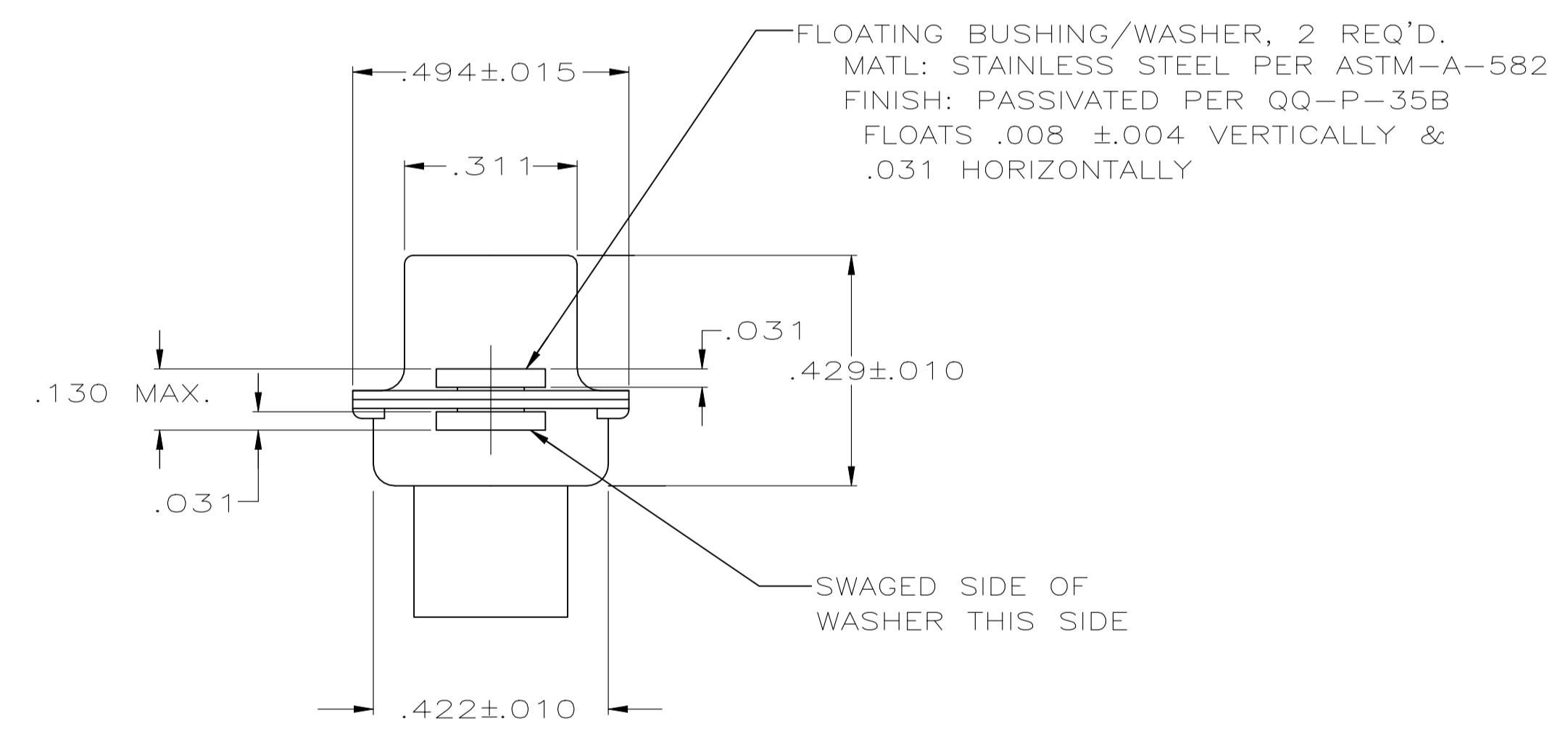
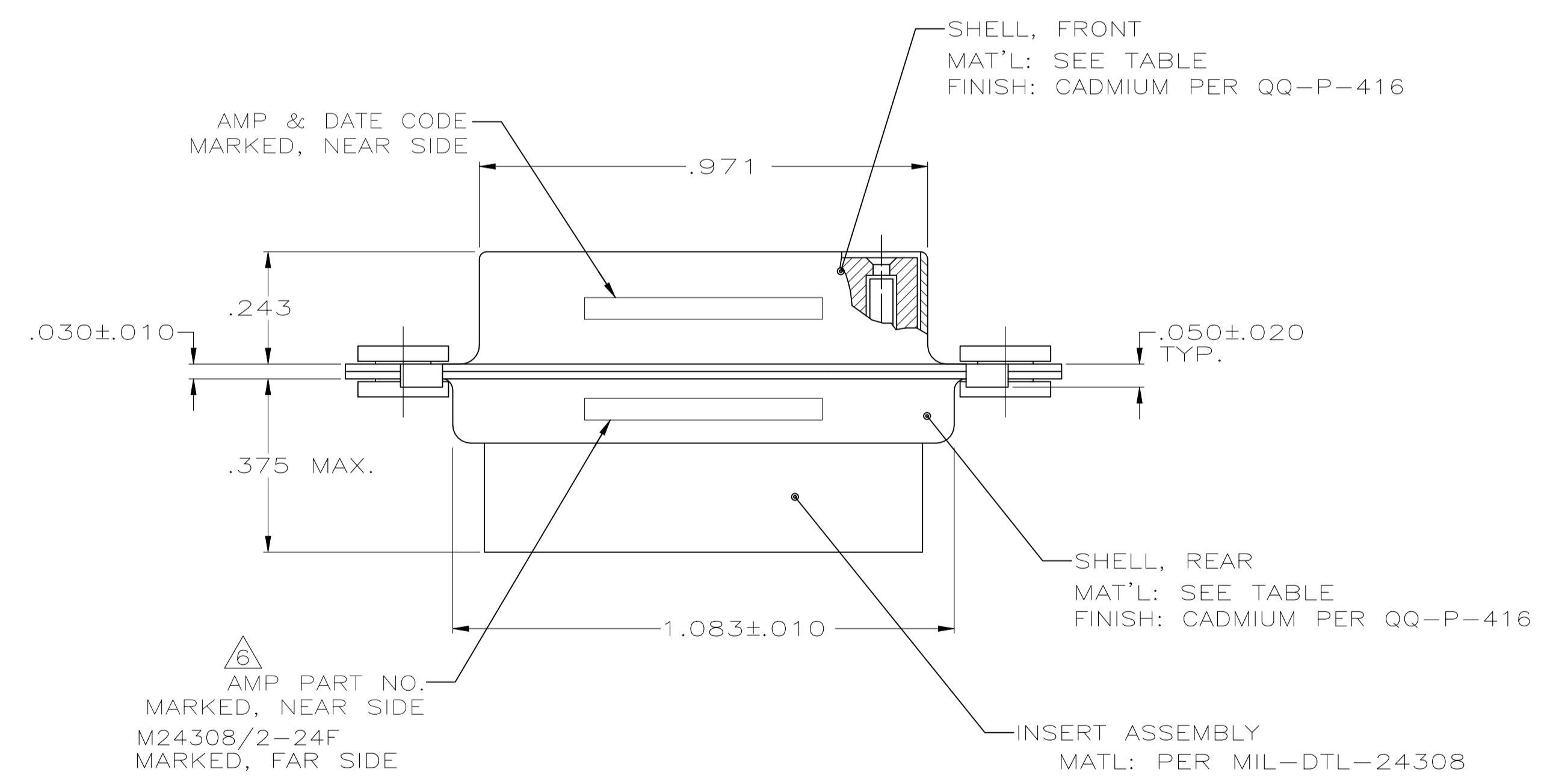
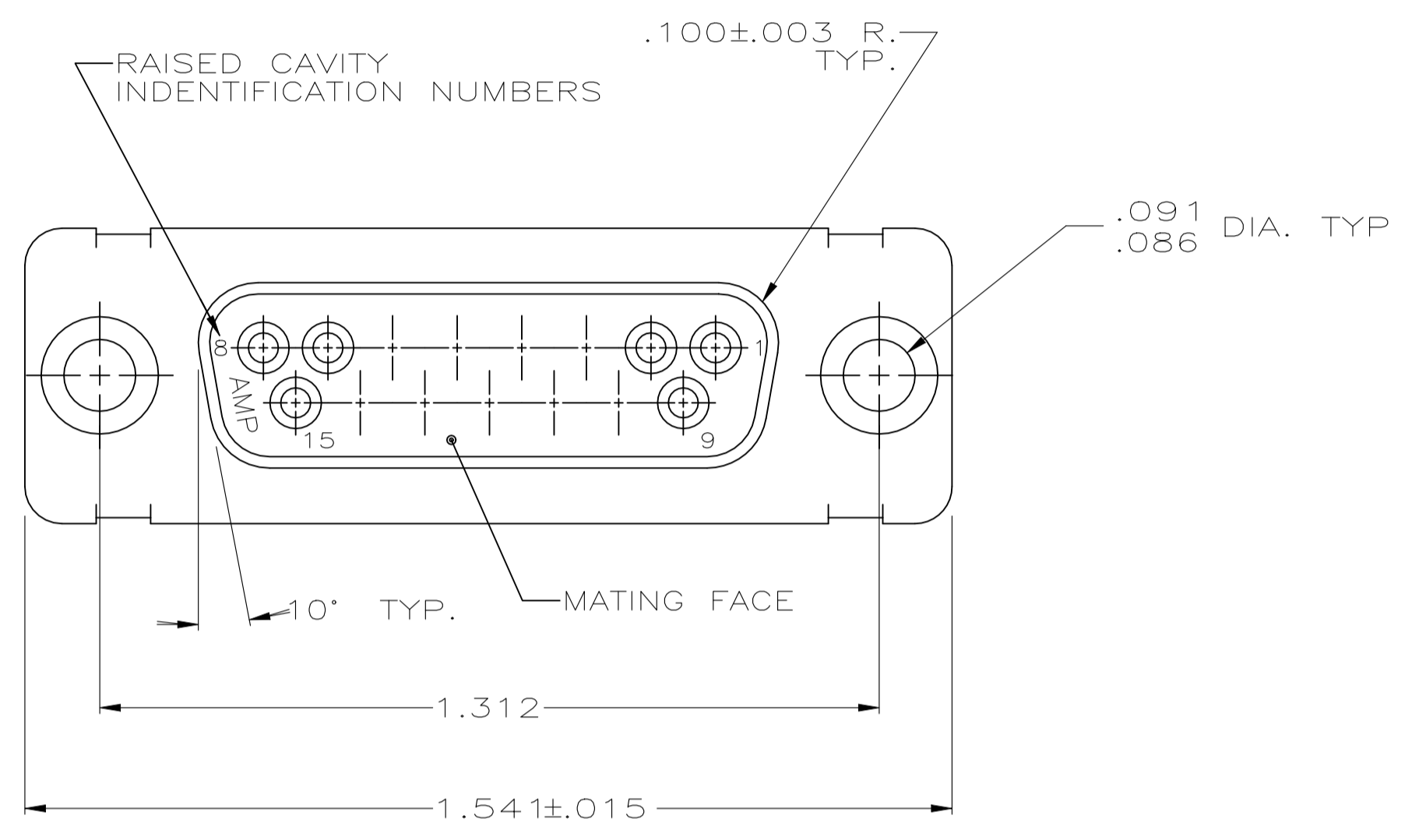


WARNING - THIS DOCUMENT CONTAINS TECHNOLOGY WHOSE EXPORT IS RESTRICTED BY THE EXPORT ADMINISTRATION REGULATIONS ("EAR") PURSUANT TO 15 C.F.R. PARTS 730-774. VIOLATIONS OF THE EAR ARE SUBJECT TO SEVERE CRIMINAL PENALTIES UNDER THE EXPORT CONTROL REFORM ACT, AS AMENDED (TITLE 50, U.S.C., SEC. 4801, ET SEQ.).

REVISIONS					
P	LTR	DESCRIPTION	DATE	DN	APVD
M		REVISED PER ECN-24-266278	15MAY2024	PP	DS



- THIS RCPT. IS DESIGNED TO CONFORM TO THE LATEST ISSUE OF MIL-C-24308
 - MAX WIRE INSUL TO BE USED WITH THIS RCPT IS .068 DIA
 - STAINLESS STEEL RETENTION CLIPS ARE INCLUDED IN INSERTS
 - PACKAGE STAMPED M24308/2-293F
 - THIS RCPT. WILL ACCEPT SIZE 20 SOCKET CONTACT M24308/10 OR AMP # 205090
- AMP PART NO. STAMPED ON CONNECTOR REPRESENTS KIT NUMBER WITH CONTACTS

OBSOLETE	BRASS	205417-2
	STEEL PER ASTM-A-109	205417-1
	SHELL MAT'L	PART NUMBER

THIS DRAWING IS A CONTROLLED DOCUMENT.		DIN C.C.THOMAS 12-9-87	TE Connectivity	
DIMENSIONS: INCHES		CHK: FC BALLEW III	NAME: RCPT. ASSY., AMPLIMITE, 15 POSN., SIZE 2, SERIES 109.W/DUAL FLOATING BUSHINGS	
TOLERANCES UNLESS OTHERWISE SPECIFIED:		APVD: -	PRODUCT SPEC: -	
0. PLC ± -		APPLICATION SPEC: -		RESTRICTED TO: -
1. PLC ± -		SIZE: A1		CAGE CODE: 00779
2. PLC ± -		DRAWING NO: 205417		REV: M
3. PLC ± .005		WEIGHT: 0.000000		SCALE: 4:1
4. PLC ± -		CUSTOMER DRAWING		SHEET 1 OF 1
ANGLES ± -				
FINISH: SEE CALLOUTS				