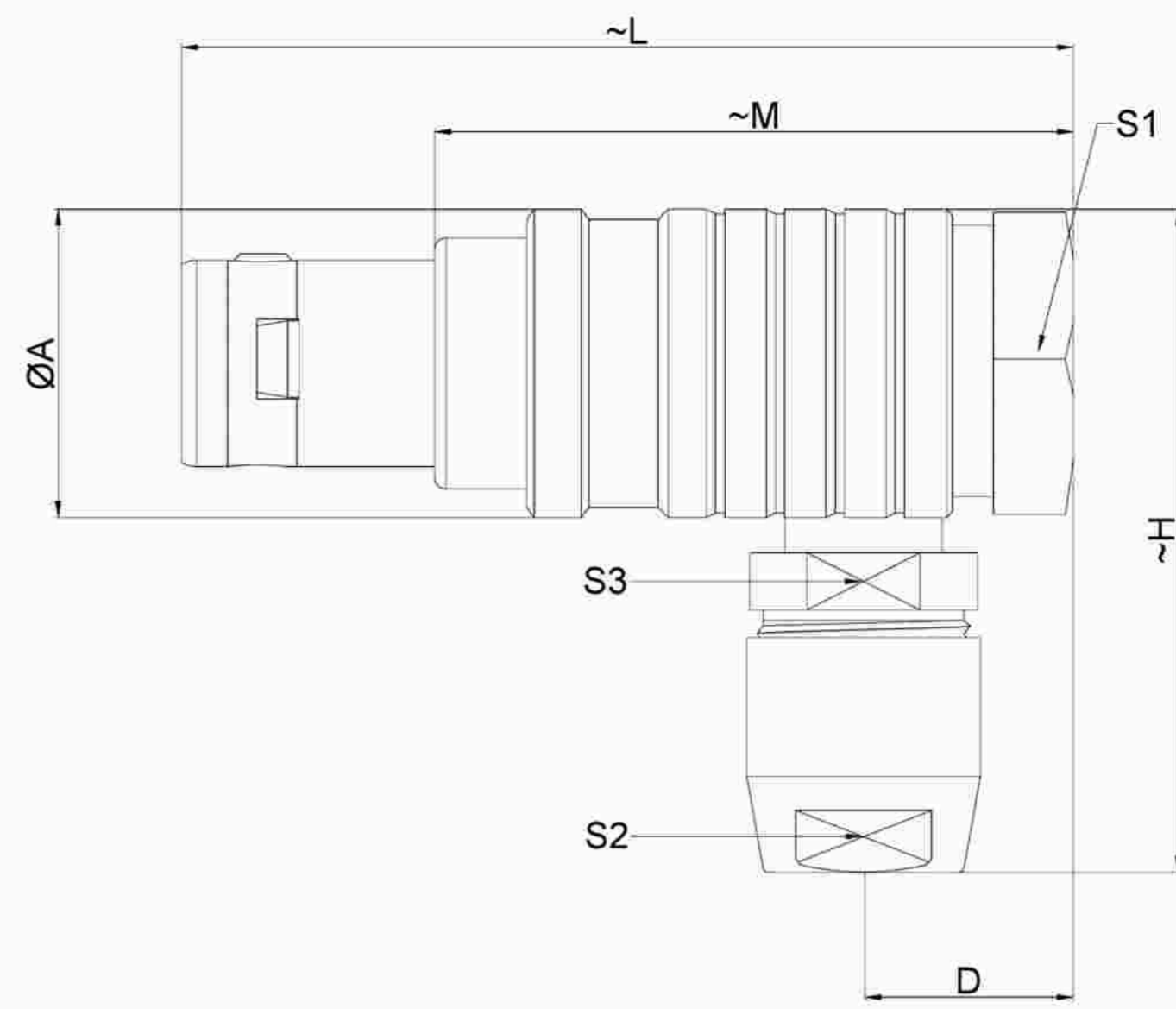


Main technical indicators(主要技术指标)	
1.Mating (插拔次数)	5000
2.Working Temperature (温度)	-55~+150 °C
3.IP Rating (防护级别)	IP 50
4.Diameter of socket end(插合端直径)	φ0.7
5.Testing Voltage (测试电压)	950V
6.Working Voltage (工作电压)	800V
7.Rated Current (额定电流)	4.0A
8.Shell material(壳体材质)	Brass (chromium plating) shell and chuck nut/( nickel plating) pin sleeve and middleware/黄铜(镀铬)外壳和夹头螺母/(镀镍)插销套和中间件
9.Pin Material(插针材料)	Copper alloy gold plating(铜合金镀金)
10.Insulator material(绝缘体材质)	L:PPS P:PEEK

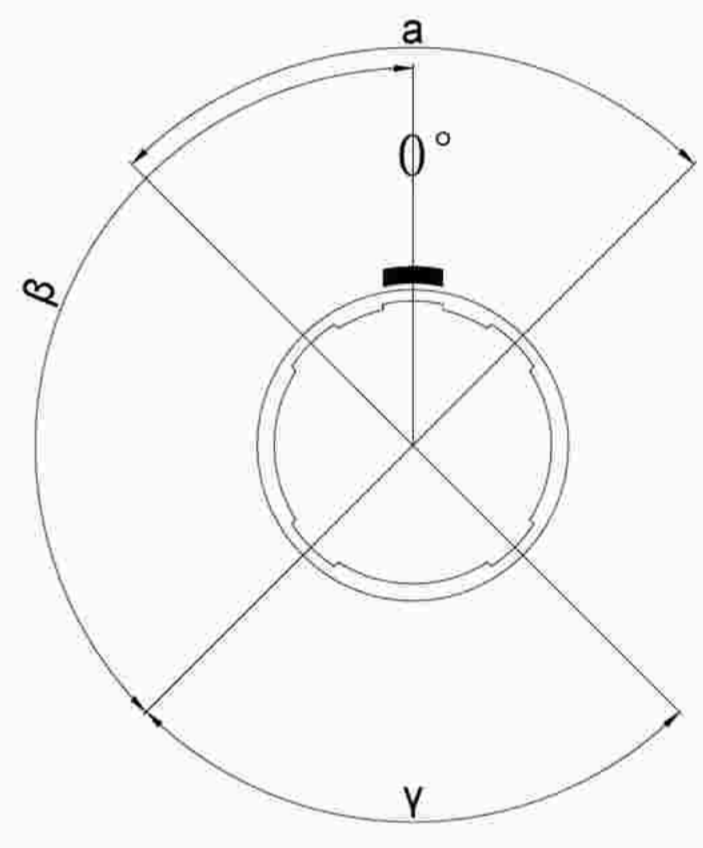


	A	D	H	L	M	S1	S2	S3
MM	19	10	37	50.0	35	17	14	15
in	0.748	0.3937	1.4567	1.9685	1.378	0.6693	0.5512	0.5906

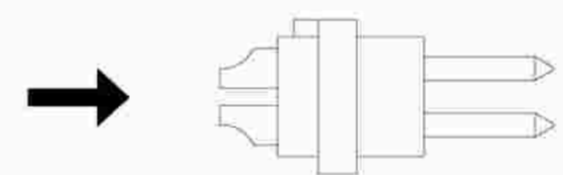
Sum up(总结)	
Series(系列)	B
Shell style/model (外壳样式/型号)	THG: Elbow plug, cable collet/电缆夹头弯头
Button (按键)	A button(一个按键)
Termination type (终止类型)	Male solder(公焊锡)
Line diameter awg(线材直径)	30-22AWG
Cable diameterφ (电缆直径)	φ9.3-10MM
Matching parts(配件)	ZGG.3B.P24.CXL



Welded surface (焊接面)



Positive view (正视图)



Solder core (焊接型公胶芯)

Location pin combination(定位销组合)			
(编号) Number	Number of positioning pins(定位销数量)	Angle(角度)	Series(系列)--3B
G	One(1)		(Zero degrees)0°
A	Two(2)	A	Thirty degrees(30°)
B	Two(2)		Forty-five degrees(45°)
C	Two(2)		Sixty degrees(60°)
D	Two(2)	γ	95 degrees (95°)
E	Two(2)	β	120 degrees(120°)
F	Two(2)		145 degrees(145°)
J	Two(2)	A	37.5degrees(37.5°)
K	Two(2)		52.5degrees(52.5°)
L	Two(2)	γ	Seventy degrees(70°)

	A	B	C√	ANGLE	
5-10	±0.02	±0.05	±0.1	0°-30°	±0.1°
50-100	±0.1	±0.15	±0.2	61°-90°	±0.5°
50-100	±0.15	±0.2	±0.25		
100-	±0.15%	±0.20%	±0.25%		

TH G. 3B. P24. C X A D 10

- Model(型号)
- Positioning pin(定位销)
- Series(系列)
- Needle core configuration(针芯配置)
- Outer casing(外壳)
- Insulator(绝缘体)
- Needle core(针芯)
- Type of CXamp(线夹类型)
- Cable diameter(电缆直径)

DESIGNED(设计)  
**广东星坤科技股份有限公司**  
 CHECKED(校对)  
 APPROVED(审核)  
 日期  
 文件工程章  
 www.helloxkb.com www.helloxkb.cn

DATE(日期)	SCALE(比额)	N/A(不适用)
DATE(日期)	VIEW(视图)	
DATE(日期)	UNIT(单位)	MM
	MATERIAL (材料)	

MODEL TYPE	型号类型: THG.3B.P24.CXAD10
PART NO.	3B24-core plug
名称:	3B24芯插头
DWG NO.:	

WEIGHT(重量)	SHEET(表)	REVISION(修订)
	1/1	A0