

Product Features:

- 2.5G and 5G Ethernet RJ45
- IEEE802.3bz/af/at/bt Compliant
- Compatible with Current and Voltage Drive PHY's
- 100% Compliance Testing
- 1500Vrms Hi-Pot
- 30µ" Gold (min) on Contacts
- Proprietary Robust Contact Design
- UL60950 and UL62368 Recognized

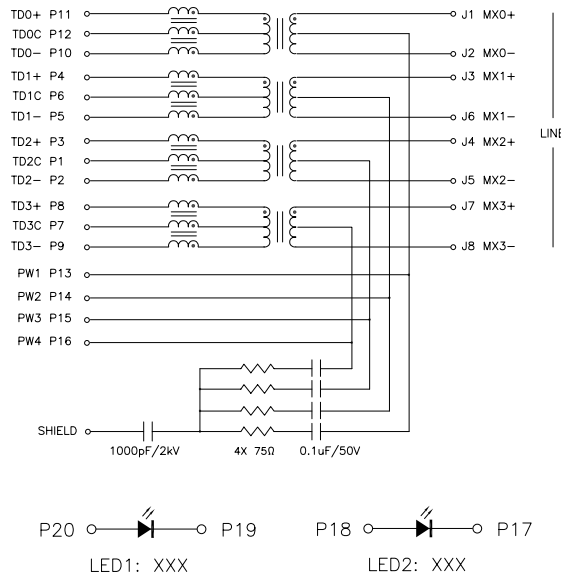
Part Number		Data Rate	LED's (L/R)	PoE+	4PPoE	Current Per Pair
Standard Temp (0 to 70°C)	Extended Temp (-40 to +85°C)					
HFJT1-2GHPRL	HFJT1-2GHPERL	2.5G	None	✓	✓	600mA
HFJT1-2GHP-L11RL	HFJT1-2GHPE-L11RL	2.5G	G/G	✓	✓	600mA
HFJT1-2GHP-L12RL	HFJT1-2GHPE-L12RL	2.5G	G/Y	✓	✓	600mA
HFJT1-2GH4PRL	HFJT1-2GH4PERL	2.5G	None	✓	✓	1A
HFJT1-2GH4P-L11RL	HFJT1-2GH4PE-L11RL	2.5G	G/G	✓	✓	1A
HFJT1-2GH4P-L12RL	HFJT1-2GH4PE-L12RL	2.5G	G/Y	✓	✓	1A
HFJT1-5GHPRL	HFJT1-5GHPERL	5G	None	✓	✓	600mA
HFJT1-5GHP-L11RL	HFJT1-5GHPE-L11RL	5G	G/G	✓	✓	600mA
HFJT1-5GHP-L12RL	HFJT1-5GHPE-L12RL	5G	G/Y	✓	✓	600mA
HFJT1-5GH4PRL	HFJT1-5GH4PERL	5G	None	✓	✓	1A
HFJT1-5GH4P-L11RL	HFJT1-5GH4PE-L11RL	5G	G/G	✓	✓	1A
HFJT1-5GH4P-L12RL	HFJT1-5GH4PE-L12RL	5G	G/Y	✓	✓	1A

Notes:

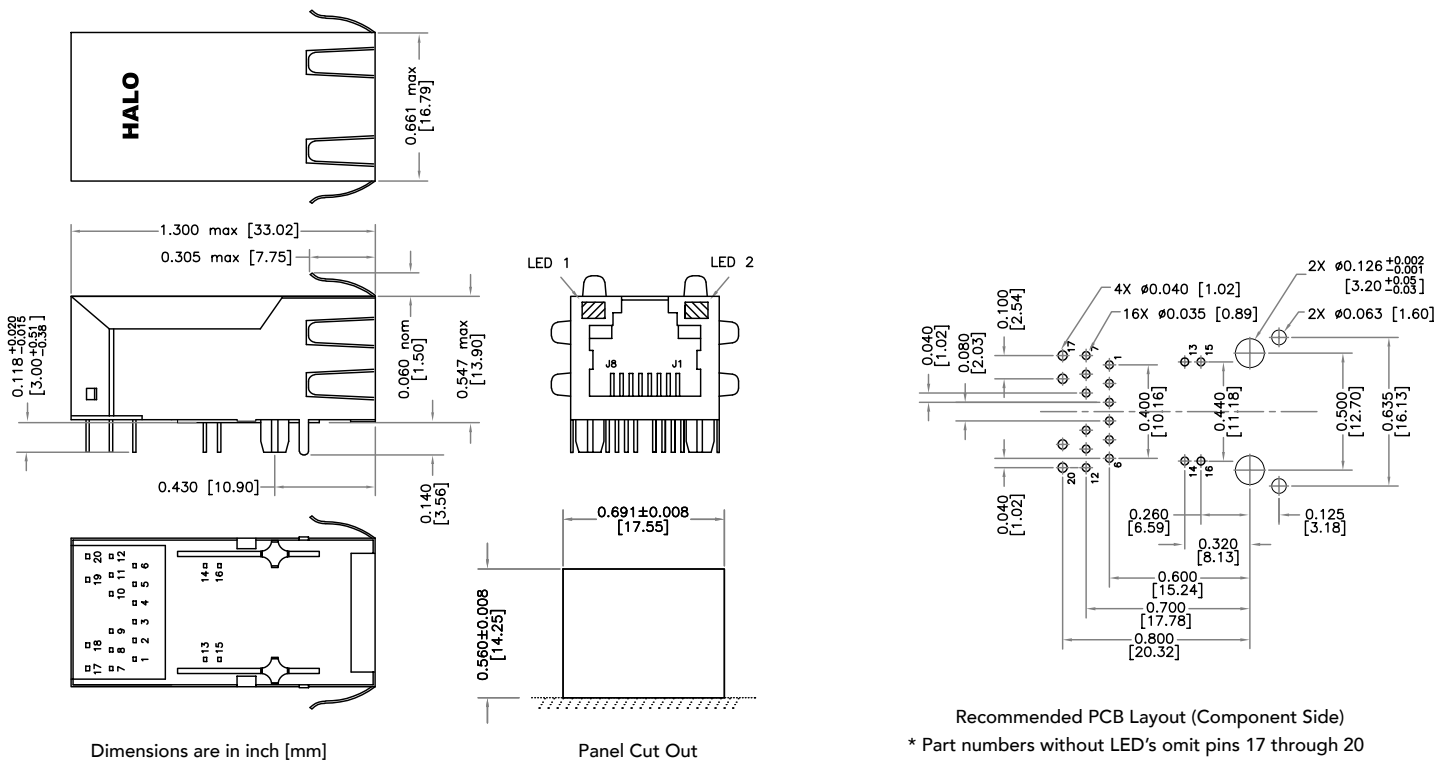
1. LED Key : G = Green, Y = Yellow
2. Other LED colors, bi-colors, polarities, and current limiting versions available
3. Part specific datasheets available upon request
4. Footprint interchangeable with other HALO Gigabit and 10G Tab-Up FastJacks

HALO "Long Body" 2.5G and 5G Ethernet Family of FastJacks

Circuit Diagram



Mechanical



2880 Lakeside Drive #116
 Santa Clara, CA 95054
 (650) 903-3800
www.haloelectronics.com

HALO® Electronics is a leading supplier of high quality communication magnetics including signal transformers, filters, CMR chokes, PoE power transformers, DC/DC converters, and integrated Ethernet connectors. HALO's leading edge technology solutions are manufactured in ISO9001 and ISO14001 factories offering high quality products at a competitive price.

Mouser Electronics

Authorized Distributor

Click to View Pricing, Inventory, Delivery & Lifecycle Information:

HALO Electronics:

[HFJT1-2GH4PE-L11RL](#) [HFJT1-2GH4PE-L12RL](#) [HFJT1-2GH4PERL](#) [HFJT1-2GH4P-L11RL](#) [HFJT1-2GH4P-L12RL](#)
[HFJT1-2GH4PRL](#) [HFJT1-5GHPE-L11RL](#) [HFJT1-5GHPE-L12RL](#) [HFJT1-5GHPERL](#) [HFJT1-5GHP-L11](#) [HFJT1-5GHP-](#)
[L12](#) [HFJT1-5GHPRL](#) [HFJT1-5GH4PE-L11RL](#) [HFJT1-5GH4PE-L12RL](#) [HFJT1-5GH4PERL](#) [HFJT1-5GH4P-L11RL](#)
[HFJT1-5GH4P-L12RL](#) [HFJT1-5GH4PRL](#) [HFJT1-2GHPE-L11RL](#) [HFJT1-2GHPE-L12RL](#) [HFJT1-2GHPERL](#) [HFJT1-](#)
[2GHP-L11RL](#) [HFJT1-2GHP-L12RL](#) [HFJT1-2GHPR](#) [HFJT1-5GHP-L11RL](#) [HFJT1-5GHP-L12RL](#)