



## Product Compliance

[For compliance documentation, visit the product page on TE.com>](#)

EU RoHS Directive 2011/65/EU	Compliant
EU ELV Directive 2000/53/EC	Compliant
China RoHS 2 Directive MIIT Order No 32, 2016	No Restricted Materials Above Threshold
EU REACH Regulation (EC) No. 1907/2006	Current ECHA Candidate List: JUNE 2024 (241) Candidate List Declared Against: JUNE 2024 (241) Does not contain REACH SVHC
Halogen Content	Low Halogen - Br, Cl, F, I < 900 ppm per homogenous material. Also BFR/CFR/PVC Free
Solder Process Capability	Not reviewed for solder process capability

### Product Compliance Disclaimer

This information is provided based on reasonable inquiry of our suppliers and represents our current actual knowledge based on the information they provided. This information is subject to change. The part numbers that TE has identified as EU RoHS compliant have a maximum concentration of 0.1% by weight in homogenous materials for lead, hexavalent chromium, mercury, PBB, PBDE, DBP, BBP, DEHP, DIBP, and 0.01% for cadmium, or qualify for an exemption to these limits as defined in the Annexes of Directive 2011/65/EU (RoHS2). Finished electrical and electronic equipment products will be CE marked as required by Directive 2011/65/EU. Components may not be CE marked. Additionally, the part numbers that TE has identified as EU ELV compliant have a maximum concentration of 0.1% by weight in homogenous materials for lead, hexavalent chromium, and mercury, and 0.01% for cadmium, or qualify for an exemption to these limits as defined in the Annexes of Directive 2000/53/EC (ELV). Regarding the REACH Regulation, the information TE provides on SVHC in articles for this part number is based on the latest European Chemicals Agency (ECHA) 'Guidance on requirements for substances in articles' posted at this URL: <https://echa.europa.eu/guidance-documents/guidance-on-reach>

## Compatible Parts



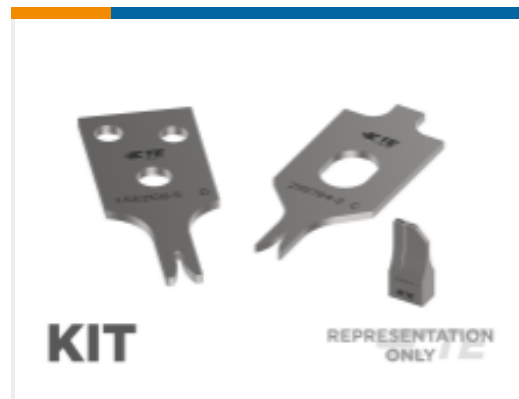
TE Part # 2825082-1  
CLUSTER BLOCK HSG PBT



TE Part # 2825082-2  
CLUSTER BLOCK HSG\_V0-GWT



TE Part # 2150527-2  
OCEAN\_2.0\_Applicator-E-090F150F-REA



TE Part # 7-2150527-7  
OCEAN\_2.0\_SPARE\_PART\_KIT-090F150F

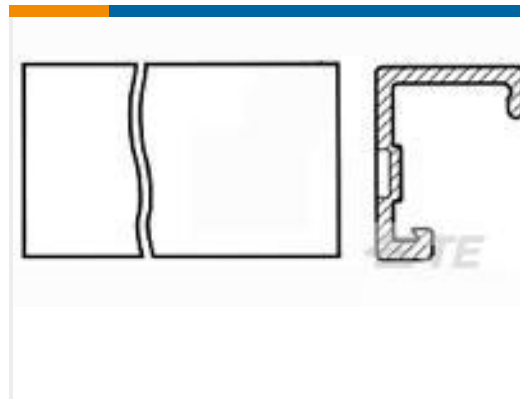
## Customers Also Bought



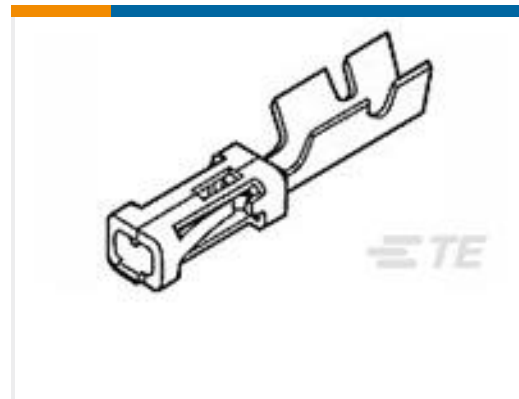
TE Part #1658609-4  
09 POS HDF RCPT, AP, LEAD FREE



TE Part #3-644020-4  
04P MTA100 CONN ASSY 30AU



TE Part #640551-5  
05P MTA156 COVER



TE Part #6-102316-4  
MOD IV RECP LP LF



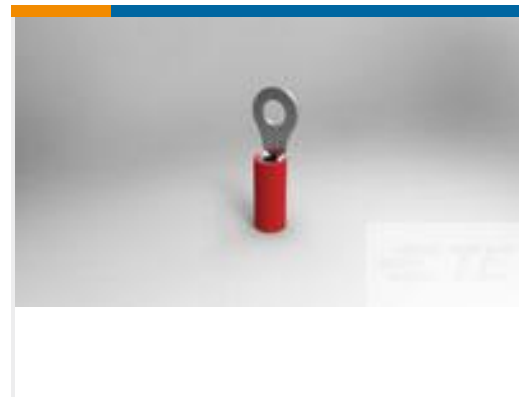
TE Part #63658-1  
MAG MATE TERM 25-22 016TPBR



TE Part #1658623-3  
16 NOVO MIL 30DP, LEAD FREE



TE Part #87456-3  
08 MODIV HSG COMP DR .100CL



TE Part #2-36150-1  
TERM, RING, PIDG, 22-16, 6, T&R



TE Part #2825663-3  
MAG-MATE W/250 CONN TAB TPBR

## Documents

### Product Drawings

CLUSTER PIN REC

English

### CAD Files

3D PDF

3D

Customer View Model

ENG\_CVM\_CVM\_2825083-1\_A.2d\_dxf.zip



English

Customer View Model

[ENG\\_CVM\\_CVM\\_2825083-1\\_A.3d\\_igs.zip](#)

English

Customer View Model

[ENG\\_CVM\\_CVM\\_2825083-1\\_A.3d\\_stp.zip](#)

English

By downloading the CAD file I accept and agree to the [Terms and Conditions](#) of use.

---

## Datasheets & Catalog Pages

[Economy Cluster Blocks Flyer](#)

English

---

## Product Specifications

[Application Specification](#)

English