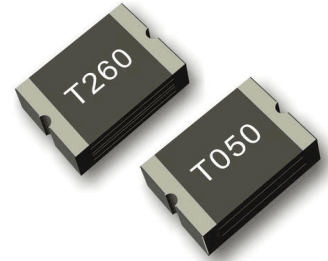


### Features:

- ✧ RoHS Compliant & Halogen Free
- ✧ faster tripping, 1812 Dimension, Surface mountable, Solid state
- ✧ Operation Current: 0.10A~3.50A
- ✧ Maximum Voltage: 6V~60Vdc
- ✧ Operating Temperature: -40°C TO 85°C



### Product Dimensions

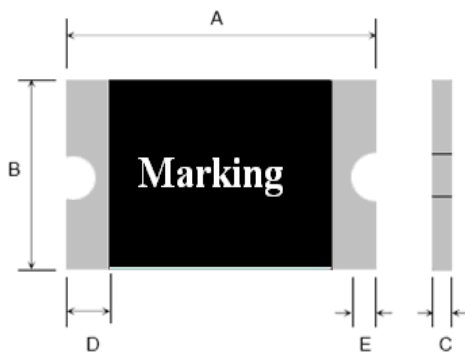


Fig.1

Terminal pad materials :Tin-Plated Nickle-copper  
 Terminal pad solderability : Meets EIA specification  
 RS 186-9E and ANSI/J-STD-002 Category 3.

Unit : mm

Model No.	A		B		C		D	E
	Min	Max	Min	Max	Min	Max	Min	Min
SMD1812PP010TF	4.37	4.73	3.07	3.41	0.50	1.00	0.30	0.15
SMD1812P010TF-60	4.37	4.73	3.07	3.41	0.50	1.00	0.30	0.15
SMD1812P014TF-33	4.37	4.73	3.07	3.41	0.50	1.00	0.30	0.15
SMD1812P014TF	4.37	4.73	3.07	3.41	0.50	1.10	0.30	0.15
SMD1812P020TF	4.37	4.73	3.07	3.41	0.50	1.00	0.30	0.15
SMD1812P030TF	4.37	4.73	3.07	3.41	0.50	1.00	0.30	0.15

Model No.	A		B		C		D	E
	Min	Max	Min	Max	Min	Max	Min	Min
SMD1812P050TF	4.37	4.73	3.07	3.41	0.40	0.90	0.30	0.15
SMD1812P050TF-24	4.37	4.73	3.07	3.41	0.40	0.90	0.30	0.15
SMD1812P050TF-30	4.37	4.73	3.07	3.41	0.40	1.00	0.30	0.15
SMD1812P075TF	4.37	4.73	3.07	3.41	0.40	0.90	0.30	0.15
SMD1812P075TF-24	4.37	4.73	3.07	3.41	0.50	1.20	0.30	0.15
SMD1812P075TF-33	4.37	4.73	3.07	3.41	0.60	1.20	0.30	0.15
SMD1812P110TF	4.37	4.73	3.07	3.41	0.40	0.90	0.30	0.15
SMD1812P110TF-16	4.37	4.73	3.07	3.41	0.40	0.90	0.30	0.15
SMD1812P110TF-24	4.37	4.73	3.07	3.41	0.60	1.30	0.30	0.15
SMD1812P110TF-33	4.37	4.73	3.07	3.41	0.70	1.70	0.30	0.15
SMD1812P125TF	4.37	4.73	3.07	3.41	0.50	1.20	0.30	0.15
SMD1812P125TF-16	4.37	4.73	3.07	3.41	0.30	0.90	0.30	0.15
SMD1812P150TF	4.37	4.73	3.07	3.41	0.30	0.90	0.30	0.15
SMD1812P150TF-16	4.37	4.73	3.07	3.41	0.50	1.20	0.30	0.15
SMD1812P150TF-24	4.37	4.73	3.07	3.41	0.80	1.70	0.30	0.15
SMD1812P160TF	4.37	4.73	3.07	3.41	0.30	0.80	0.30	0.15
SMD1812P200TF	4.37	4.73	3.07	3.41	0.40	1.20	0.30	0.15
SMD1812P200TF-12	4.37	4.73	3.07	3.41	0.50	1.20	0.30	0.15
SMD1812P200TF-16	4.37	4.73	3.07	3.41	0.50	1.20	0.30	0.15
SMD1812P260TF	4.37	4.73	3.07	3.41	0.50	1.20	0.30	0.15
SMD1812P260TF-12	4.37	4.73	3.07	3.41	0.60	1.50	0.30	0.15
SMD1812P260TF-16	4.37	4.73	3.07	3.41	0.80	1.70	0.30	0.15
SMD1812P300TF	4.37	4.73	3.07	3.41	0.50	1.50	0.30	0.15



## Thermal Derating Chart-IH (A)

Part number	Maximum ambient operating temperatures (°C)								
	-40	-20	0	25	40	50	60	70	85
SMD1812P010TF	0.16	0.14	0.12	0.10	0.08	0.07	0.06	0.05	0.03
SMD1812P014TF	0.23	0.19	0.17	0.14	0.12	0.10	0.09	0.08	0.06
SMD1812P020TF	0.29	0.26	0.23	0.20	0.17	0.15	0.14	0.12	0.10
SMD1812P030TF	0.44	0.39	0.35	0.30	0.26	0.23	0.21	0.18	0.15
SMD1812P050TF	0.59	0.57	0.55	0.50	0.45	0.43	0.35	0.30	0.23
SMD1812P075TF	1.10	0.99	0.87	0.75	0.63	0.57	0.49	0.45	0.35
SMD1812P110TF	1.60	1.45	1.28	1.10	0.92	0.83	0.71	0.66	0.52
SMD1812P110TF-16	1.60	1.45	1.28	1.10	0.92	0.83	0.71	0.66	0.52
SMD1812P110TF-24	1.60	1.45	1.28	1.10	0.92	0.83	0.71	0.66	0.52
SMD1812P110TF-33	1.60	1.45	1.28	1.10	0.92	0.83	0.71	0.66	0.52
SMD1812P125TF	2.00	1.75	1.52	1.25	1.00	0.95	0.90	0.75	0.53
SMD1812P125TF-16	2.00	1.75	1.52	1.25	1.00	0.95	0.90	0.75	0.53
SMD1812P150TF	2.30	2.05	1.77	1.50	1.23	1.09	0.95	0.82	0.61
SMD1812P150TF-16	2.30	2.05	1.77	1.50	1.23	1.09	0.95	0.82	0.61
SMD1812P150TF-24	2.30	2.05	1.77	1.50	1.23	1.09	0.95	0.82	0.61
SMD1812P160TF	2.45	2.15	1.89	1.60	1.34	1.25	1.15	0.96	0.79
SMD1812P200TF	2.89	2.61	2.30	2.00	1.75	1.66	1.45	1.39	1.19
SMD1812P200TF-12	2.89	2.61	2.30	2.00	1.75	1.66	1.45	1.39	1.19
SMD1812P200TF-16	2.89	2.61	2.30	2.00	1.75	1.66	1.45	1.39	1.19
SMD1812P260TF	3.76	3.39	2.99	2.60	2.28	2.16	1.89	1.81	1.55
SMD1812P260TF-12	3.38	3.05	2.69	2.60	2.05	1.94	1.70	1.63	1.39
SMD1812P260TF-16	3.38	3.05	2.69	2.60	2.05	1.94	1.70	1.63	1.39
SMD1812P300TF	4.34	3.92	3.45	3.00	2.63	2.49	2.18	2.09	1.79

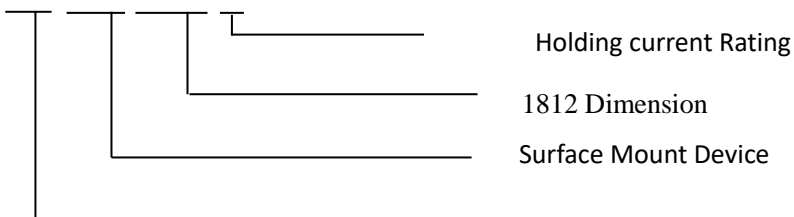
## Electrical Characteristic

Model No.	U <sub>max</sub> (Vdc)	I <sub>max</sub> (A)	I <sub>hold</sub> @25°C (A)	I <sub>trip</sub> @25°C (A)	Time to trip		R25	
					Current	Time	R <sub>i min</sub>	R <sub>1 max</sub>
					(A)	(Sec)	(Ω)	(Ω)
SMD1812P010TF	30.0	100	0.10	0.30	0.5	1.50	0.750	15.000
SMD1812P010TF-60	60.0	100	0.10	0.30	0.5	1.50	0.750	15.000
SMD1812P014TF-33	33.0	100	0.14	0.34	1.5	0.15	0.650	6.000
SMD1812P014TF	60.0	100	0.14	0.34	1.5	0.15	0.650	6.000
SMD1812P020TF	30.0	100	0.20	0.40	8.0	0.02	0.350	5.000
SMD1812P030TF	30.0	100	0.30	0.60	8.0	0.10	0.250	3.000
SMD1812P050TF	15.0	100	0.50	1.00	8.0	0.15	0.150	1.000

Model No.	Umax (Vdc)	Imax (A)	Ihold @25°C (A)	Itrip @25°C (A)	Time to trip		R25	
					Current	Time	R <sub>i</sub> min	R <sub>1</sub> max
					(A)	(Sec)	(Ω)	(Ω)
SMD1812P050TF -24	24.0	100	0.50	1.00	8.0	0.15	0.150	1.000
SMD1812P050TF -30	30.0	100	0.50	1.00	8.0	0.15	0.150	1.000
SMD1812P075TF	13.2	100	0.75	1.50	8.0	0.20	0.090	0.450
SMD1812P075TF-24	24	100	0.75	1.50	8.0	0.20	0.090	0.450
SMD1812P075TF-33	33	100	0.75	1.50	8.0	0.20	0.090	0.450
SMD1812P110TF	8.0	100	1.10	2.20	8.0	0.30	0.050	0.250
SMD1812P110TF-16	16.0	100	1.10	2.20	8.0	0.30	0.050	0.250
SMD1812P110TF-24	24.0	100	1.10	2.20	8.0	0.30	0.050	0.250
SMD1812P110TF-33	33.0	100	1.10	2.20	8.0	0.30	0.050	0.250
SMD1812P125TF	8.0	100	1.25	2.50	8.0	0.40	0.050	0.200
SMD1812P125TF-16	16.0	100	1.25	2.50	8.0	0.40	0.050	0.200
SMD1812P150TF	8.0	100	1.50	3.00	8.0	0.50	0.040	0.160
SMD1812P150TF-16	16.0	100	1.50	3.00	8.0	0.50	0.040	0.160
SMD1812P150TF-24	24.0	100	1.50	3.00	8.0	0.50	0.040	0.160
SMD1812P160TF	8.0	100	1.60	2.80	8.0	1.00	0.030	0.130
SMD1812P200TF	8.0	100	2.00	4.00	8.0	2.00	0.020	0.100
SMD1812P200TF-12	12.0	100	2.00	4.00	8.0	2.00	0.020	0.100
SMD1812P200TF-16	16.0	100	2.00	4.00	8.0	2.00	0.020	0.100
SMD1812P260TF	8.0	100	2.60	5.00	8.0	2.50	0.015	0.050
SMD1812P260TF-12	12.0	100	2.60	5.00	8.0	2.50	0.015	0.060
SMD1812P260TF-16	16.0	100	2.60	5.00	8.0	2.50	0.015	0.060
SMD1812P300TF	8.0	100	3.00	5.00	8.0	4.00	0.012	0.040

### Part Numbering System

LM- SMD1812□□□



## Test Procedures And Requirements

Test	Test Conditions	Accept/Reject Criteria
Resistance	In still air @ 25°C	$R_{min} \leq R \leq R_{max}$
Time to Trip	Specified current, $V_{max}$ , 25°C	$T \leq$ maximum Time to Trip
Hold Current	30min, at $I_H$	No trip
Trip Cycle Life	$V_{max}$ , $I_{max}$ , 100cycles	No arcing or burning
Trip Endurance	$V_{max}$ , 1 hours	No arcing or burning

## Physical Characteristics and Environmental Specifications

### Physical Characteristics

Terminal materials :	Tin-Plated Nickle-copper	
Soldering zone	Meets EIA specification RS 186-9E and ANSI/J-STD-002 Category 3.	
Environmental Specifications		
Test	Conditions	Resistance Change
Passive aging	85°C, 1000hours	±10%
Humidity aging	85°C/85%RH. 1000 hours	±5%
Thermal shock	MIL-STD-202, Method 107G +85°C/-40°C, 20times	-30% typical resistance change
Solvent Resistance	MIL-STD-202, Method 215	no change
Vibration	ML-STD-883C, Test Condition A	No chage

### Electrical Specifications:

$I_{hold}$  = Hold Current. Maximum current device will not trip in 25 °C still air.

$I_{trip}$  = Trip Current. Minimum current at which the device will always trip in 25 °C still air.

$V_{max}$  = Maximum operating voltage device can withstand without damage at rated current ( $I_{max}$ ).

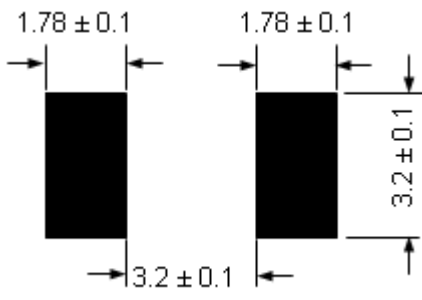
$I_{max}$  = Maximum fault current device can withstand without damage at rated voltage ( $V_{max}$ ).

$P_d$  = Maximum power dissipation when device is in the tripped state in 25 °C still air environment at rated voltage.

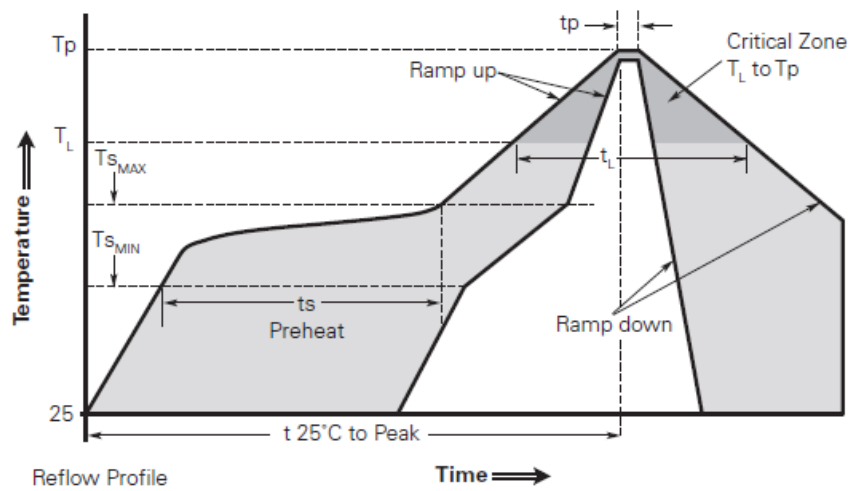
$R_{i_{min/max}}$  = Minimum/Maximum device resistance prior to tripping at 25 °C.

$R_{I_{max}}$  = Maximum device resistance is measured one hour post reflow.

## Recommended pad layout (mm)



## Solder reflow conditions



Profile Feature	Pb-Free Assembly
Average ramp up rate ( $T_{S\_MAX}$ to $T_p$ )	3°C/second max.
<b>Preheat</b>	
• Temperature min. ( $T_{S\_MIN}$ )	150°C
• Temperature max. ( $T_{S\_MAX}$ )	200°C
• Time ( $t_{S\_MIN}$ to $t_{S\_MAX}$ )	60-120 seconds
<b>Time maintained above:</b>	
• Temperature ( $T_L$ )	217°C
• Time ( $t_L$ )	60-150 seconds
<b>Peak/Classification temperature (<math>T_p</math>)</b>	260°C
<b>Time within 5°C of actual peak temperature</b>	
Time ( $t_p$ )	30 seconds max.
<b>Ramp down rate</b>	3°C/second max.
<b>Time 25°C to peak temperature</b>	8 minutes max.

**Note:** All temperatures refer to topside of the package, measured on the package body surface.

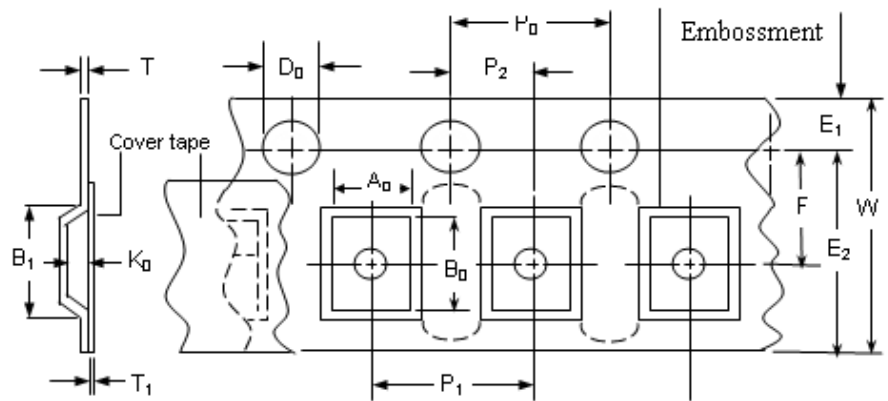
- Recommended reflow methods: IR, vapor phase oven, hot air oven, N2 environment for lead-free.
- Devices are not designed to be wave soldered to the bottom side of the board.
- Recommended maximum paste thickness is 0.25mm (0.010inch).
- Devices can be cleaned using standard industry methods and solvents.
- Soldering temperature profile meets RoHs leadfree process.

Notes: If reflow temperatures exceed the recommended profile, devices may not meet the performance requirements

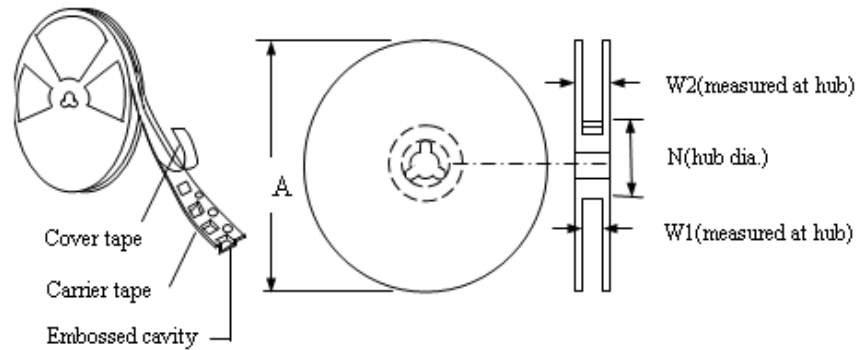
## Tape Specification And Reel Dimensions

Covering Specifications EIA 481-1(Unit:mm)	
W	12.00+0.30/-0
P <sub>0</sub>	8.0 ± 0.10
P <sub>1</sub>	4.0± 0.10
P <sub>2</sub>	2.0 ± 0.10
A <sub>0</sub>	3.50 ± 0.10
B <sub>0</sub>	4.90 ± 0.10
D <sub>0</sub>	1.50+0.10/-0
F	5.50± 0.05
E <sub>1</sub>	1.75 ± 0.10
T	0.30± 0.10
Leader min.	390
Trailer min.	160
Reel Dimensions	
A	178±1.0
N	59±1
W <sub>1</sub>	8.5+1.0/-0.2
W <sub>2</sub>	12.0±1

### EIA Tape Component Dimensions



### EIA Reel Dimensions



## Storage

The maximum ambient temperature shall not exceed 38°C. Storage temperatures higher than 38°C could result in the deformation of packaging materials. The maximum relative humidity recommended for storage is 60%. High humidity with high temperature can accelerate the oxidation of the solder plating on the termination and reduce the solderability of the components. Sealed plastic bags with desiccant shall be used to reduce the oxidation of the termination and shall only be opened prior to use. The products shall not be stored in areas where harmful gases containing sulfur or chlorine are present

### Warning

- Use PPTC beyond the maximum ratings or improper use may result in device damage and possible electrical arcing and flame.
- PPTC are intended for protection against occasional over current or over temperature fault conditions and should not be used when repeated fault conditions or prolonged trip events are anticipated.
- Device performance can be impacted negatively if devices are handled in a manner inconsistent with recommended electronic, thermal, and mechanical procedures for electronic components.
- Use PPTC with a large inductance in circuit will generate a circuit voltage ( $L di/dt$ ) above the rated voltage of the PPTC.
- Avoid impact PPTC device its thermal expansion like placed under pressure or installed in limited space.
- Contamination of the PPTC material with certain silicon based oils or some aggressive solvents can adversely impact the performance of the devices.PPTC SMD can be cleaned by standard methods.
- Requests that customers comply with our recommended solder pad layouts and recommended reflow profile. Improper board layouts or reflow profile could negatively impact solderability performance of our devices.