

# Type TFLS Automotive Fuse Link Mini Female Terminal



www.optifuse.com

(619) 593-5050

## Specifications:

**Voltage:** 32 VDC

**Amperage:** 20A, 30A, 40A, 50A, 60A, 70A, 80A

**Interrupting Rating:** 5,000A @ 32 VAC

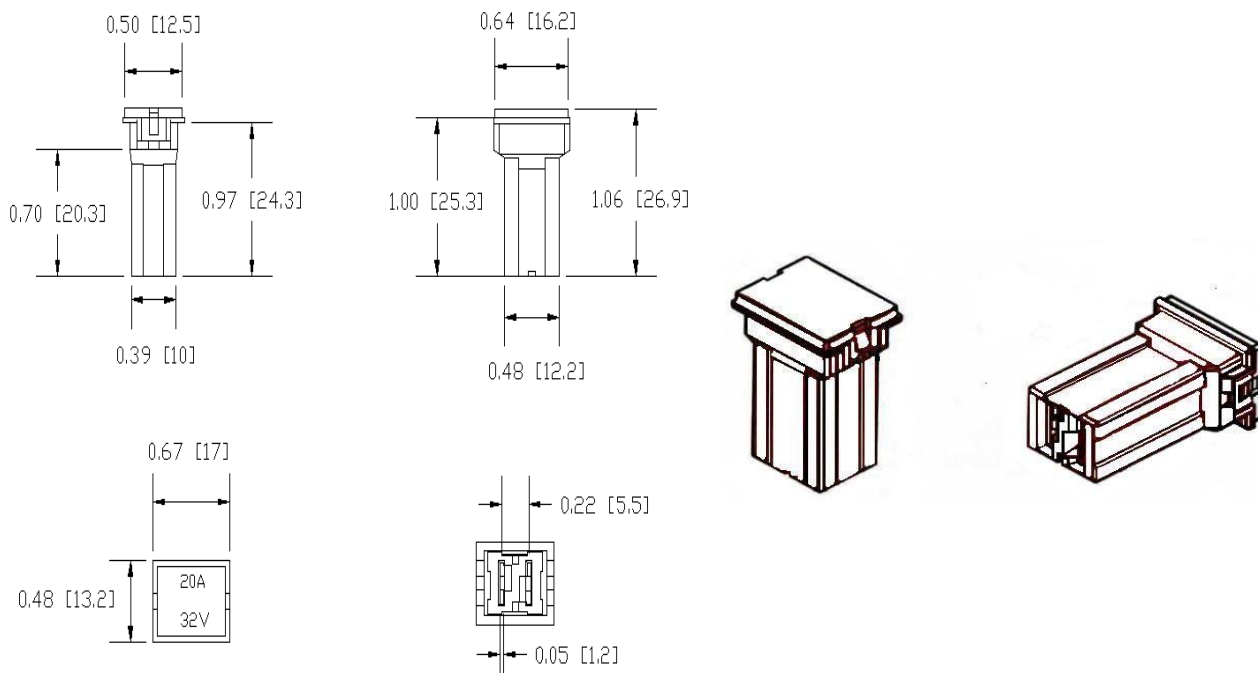
## Agency Standards and Listings:

**JASO D612-4:2001**

Time Characteristics		
% of rated current	Min hold time	Max hold time
110%	4h	
200%	5s	100s
350%	200ms	7s
600%	40ms	1s

Part Number	Ampere Rating	Housing Color
TFLS-20A	20A	Light-Blue
TFLS-30A	30A	Pink
TFLS-40A	40A	Green
TFLS-50A	50A	Red
TFLS-60A	60A	Yellow
TFLS-70A	70A	Brown
TFLS-80A	80A	Black

## Mechanical Dimensions: Inches [mm]



## Warning:



-Operation beyond the specified maximum ratings or improper use may result in damage and possible electrical arcing and/or flame.

-Avoid contact of device with chemical solvent. Prolonged contact will damage the device performance.