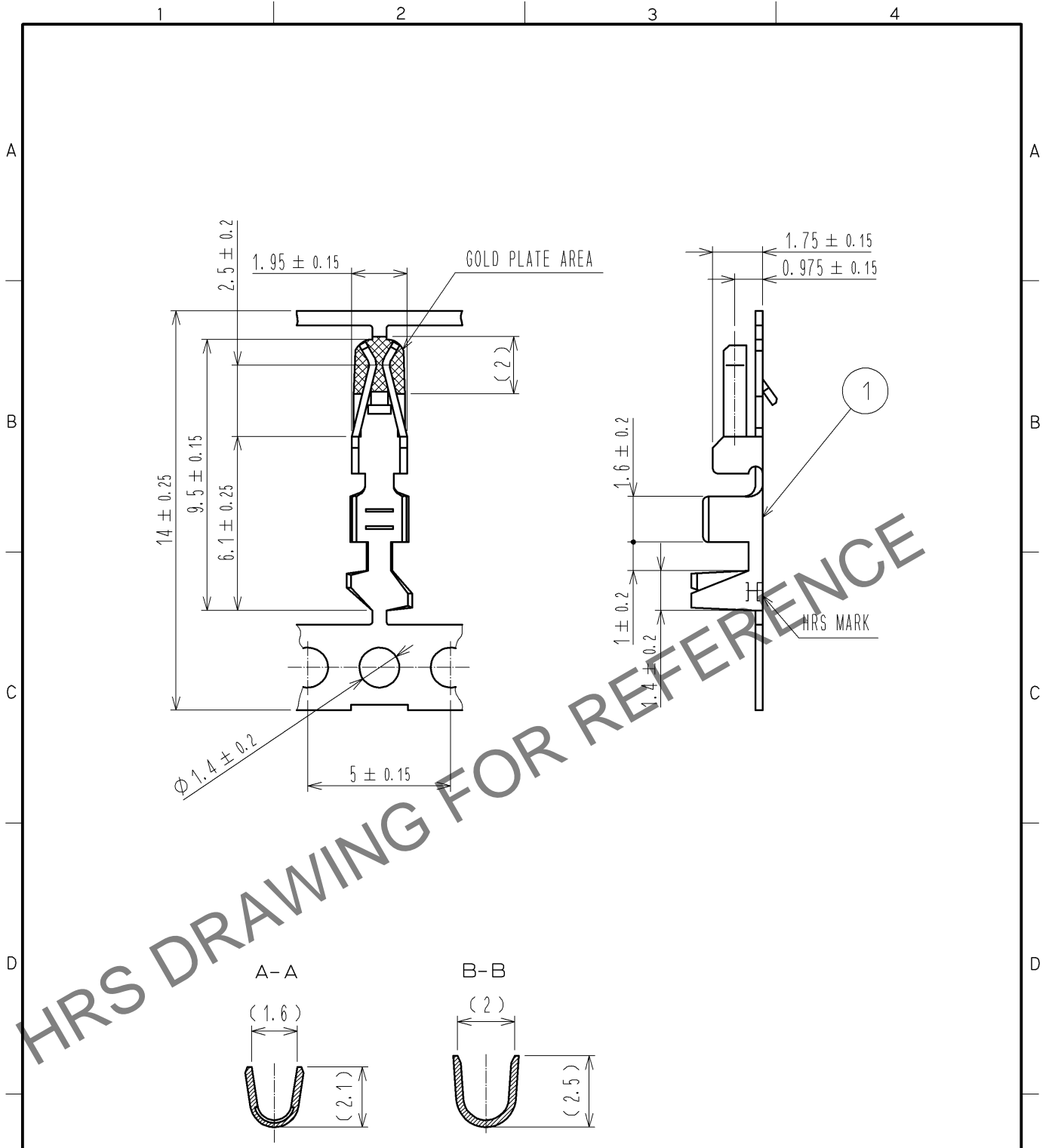


Jun.1.2024 Copyright 2024 HIROSE ELECTRIC CO., LTD. All Rights Reserved.
 In case of consideration for using Automotive equipment / device which demand high reliability, kindly contact our sales window correspondents.



HRS DRAWING FOR REFERENCE

NOTE 1 APPLICABLE CABLE : AWG20-22

NO.		MATERIAL		FINISH . REMARKS		NO.		MATERIAL		FINISH . REMARKS			
		1		PHOSPHOR BRONZE				CONTACT AREA: GOLD PLATING 0.2 μ m		OTHER AREA : NICKEL PLATING 1 μ m			
UNITS mm		SCALE 5 : 1		COUNT		DESCRIPTION OF REVISIONS		DESIGNED		CHECKED		DATE	
		HIROSE ELECTRIC CO., LTD.		APPROVED : TS. SAKATA CHECKED : TS. FUKUSHIMA DESIGNED : HT. SATO DRAWN : YK. NAKATSU		10. 03. 19 10. 03. 19 10. 03. 19 10. 03. 19		DRAWING NO. EDC4-021360-01 PART NO. DF1B-2022SCFA CODE NO. CL541-0662-1-00				1/1	