

SLS-RG59/6-color and SLS-RGB/color

Cable Boots for 1-piece HD BNC connectors

Application

These Cable boots are specially designed to fit on the 1-piece HD compression connectors of Belden in combination with Belden® HD Digital Video cables.

The cable boot SLS-59/6-color is designed to use in combination with 1505- and 1694-cable products and SLS-RGB/color is designed to use in combination with 1855-cable products.

Specifications

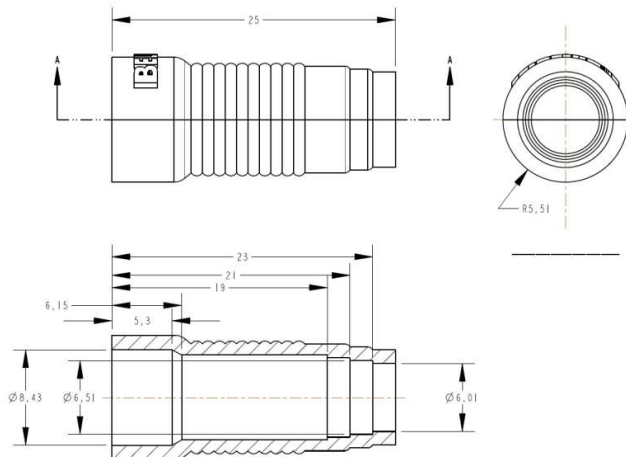


Figure 1 – SLS-59/6 with dimensions

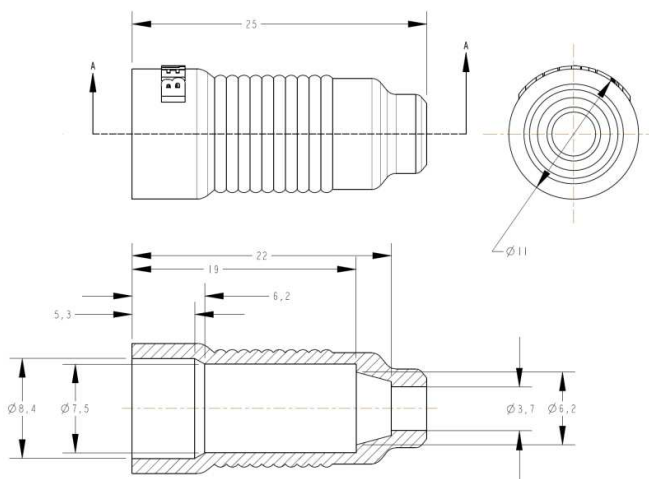


Figure 2 – SLS-RGB with dimensions

Mechanical and Environmental

The cable boots are made out of flexible EPDM material and are RoHS compliant. The temperature range goes from -40°C to +70°C.

Colors

The boots will be available in ten different colors:

- Yellow
- Red
- White
- Black
- Orange
- Green
- Blue
- Purple
- Gray
- Brown

Packaging

The items are in the packed in plastic bags of 50 items each.

Peripheral cable and connectors

Cable Boot		Cable type	Compression BNC Connector		Crimp BNC Connector
Part nr.	Available Colors	Part nr.	Locking 1-Piece	1-Piece	3-Piece Crimp
SLS-59/6-color	Yellow	1505A, 1505ANH, 1505DNH, 1505F 1694A, 1694ANH, 1694DNH, 1694F	1505ABHDL 1694ABHDL	1505ABHD1 1694ABHD1	1505ABHD3 1694ABHD3
	Red				
SLS-RGB/color	White	1855ENH 1855A 1855DNH	1855ABHDL	1855ABHD1	1855ABHD3-ENH
	Black				
	Orange				
	Green				
	Blue				
	Purple				
Gray					
	Brown				

Table 1 – Peripheral products



Belden declares this product to be in compliance with the environmental regulations EU RoHS (Directive 2002/95/EC, 27 January 2003); this is valid for all material produced after the RoHS compliant date for this product.

Mouser Electronics

Authorized Distributor

Click to View Pricing, Inventory, Delivery & Lifecycle Information:

Belden Wire & Cable:

[SLS-RJ45-6.0](#) [SLS-RGB-BLACK](#) [SLS-RGB-YELLOW](#) [SLS-RJ45-7.0](#) [SLS-RGB-WHITE](#) [SLS-59/6](#) [SLS-RGB-RED](#)