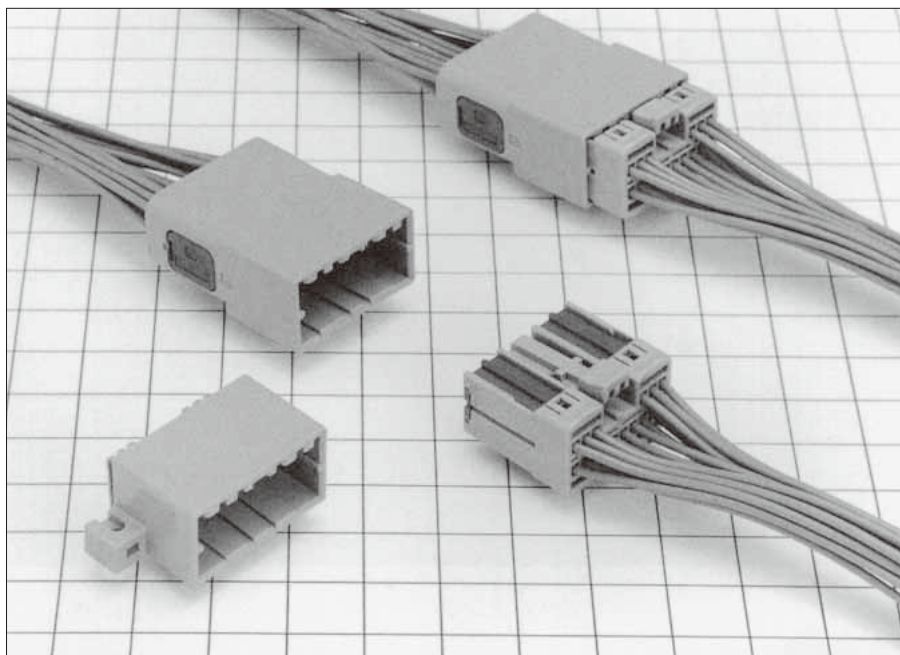


GT10 Series

— ECU Interface Connectors —

<2 mm Pitch>

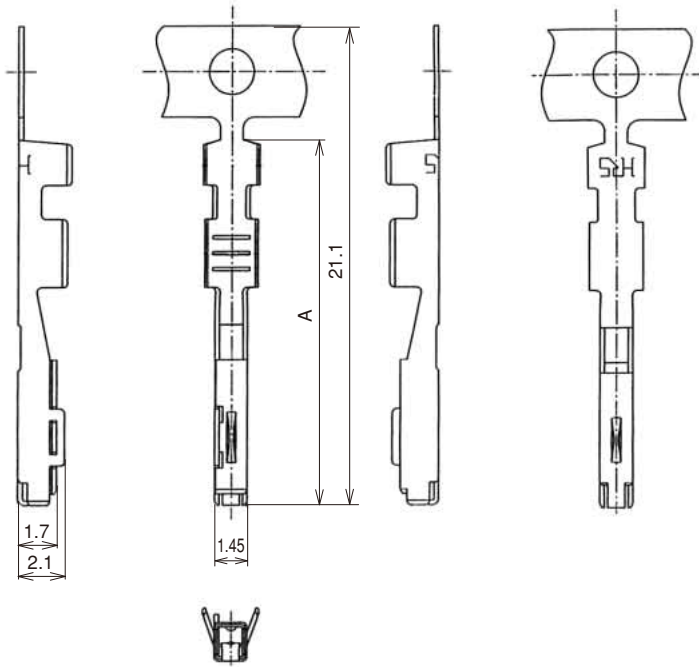
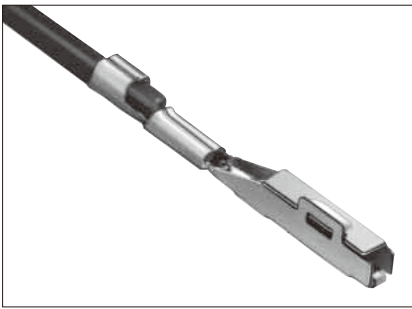


■ Features

- Usable with existing 040 connectors.
- Front retainer design prevents incomplete insertion.

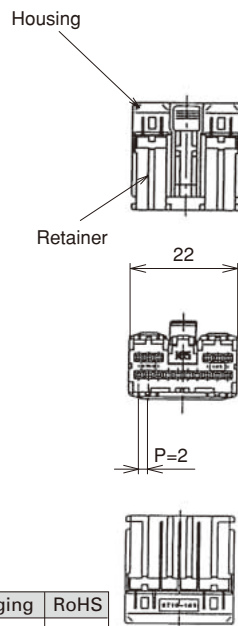
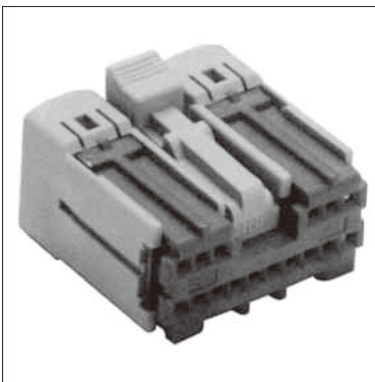
F Connectors

● Terminal

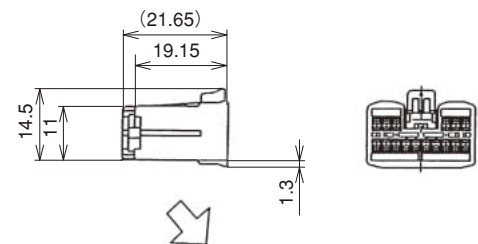
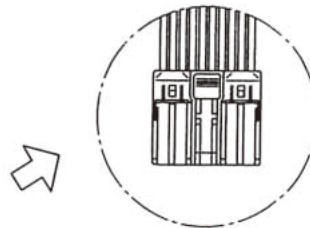


Part No.	HRS No.	Material	Plating	Conductor Size (AWG)	Outer Diameter	A Dimension	Packaging	RoHS
GT10-2022SCF	760-0003-0	Copper palloy	Tin plating	20 to 22 AWG	φ 1.1 to 1.3	16.1	10,000 pcs/reel	YES
GT10-2428SCF	760-0009-6			24 to 28 AWG	φ 0.8 to 1.1	15.1		

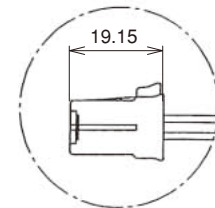
● Housing (with Retainer Provisionally Mounted)



◆ Retainer assembled.



◆ Retainer assembled.



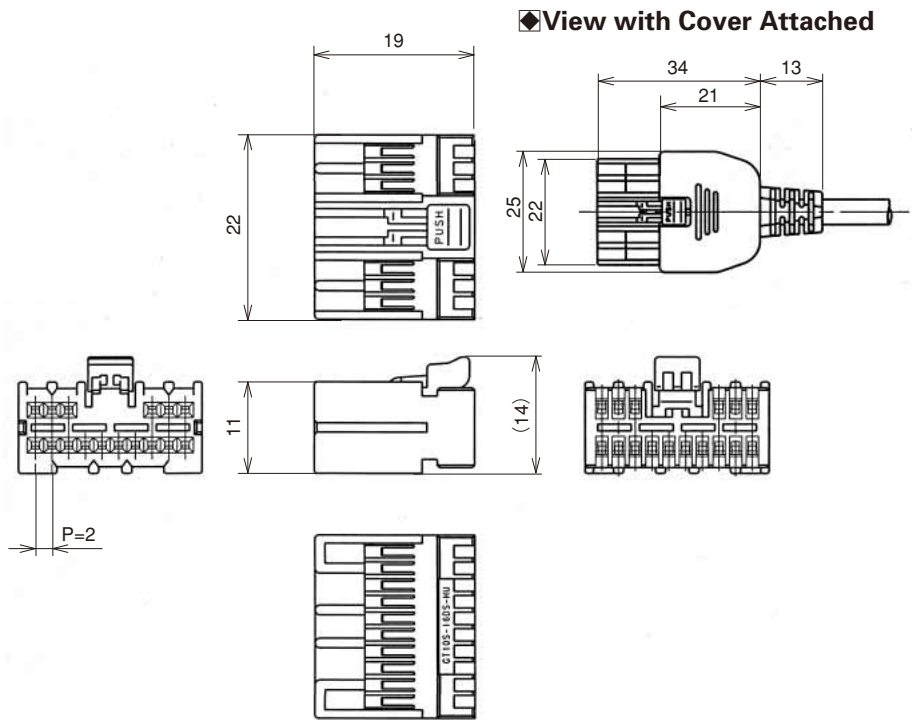
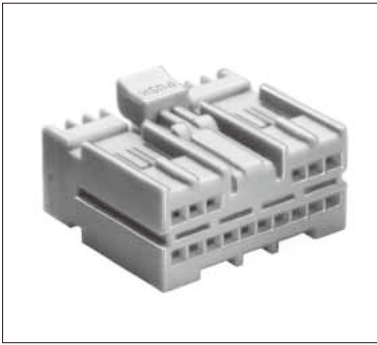
Part No.	HRS No.	Material/Plating or Color	Packaging	RoHS
GT10-16DS-HU	760-0002-7	Housing: PBT / Light Gray Retainer: PBT / Dark Gray	1	YES

Note: This product has the retainer provisionally mounted to the housing.
To use, fully mount the retainer at the specified position after the terminals have been inserted.

- GT5
- GT13
- GT16
- PO5G
- GT19
- GT21
- GT26
- GT36
- GT11
- GT17
- GT32
- GT3
- GT7
- GT10**
- GT18W
- GT25
- GT8E
- GT9
- GT15

GT10S Series with cover case

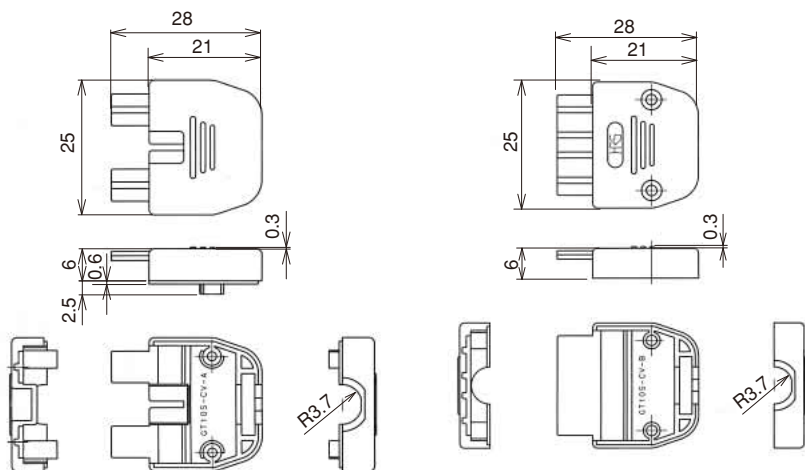
● Housing



Part No.	HRS No.	Color	Material	Packaging	RoHS
GT10S-16DS-HU	760-0007-0	Light Gray	PBT	1	YES

Note: This product should be used with the cover attached to the housing.

● Cover



Cover A

Cover B

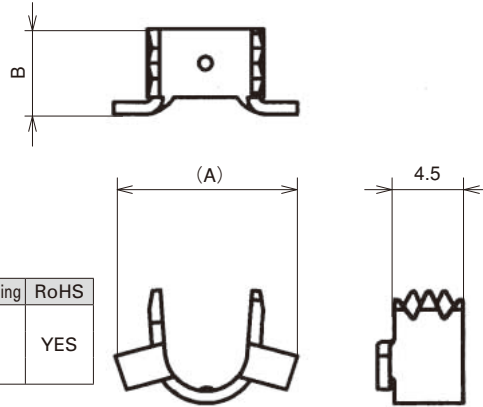
Part No.	HRS No.	Color	Material	Packaging	RoHS
GT10S-16DS-CV	760-0008-3	Black	PC	1	YES

Note 1 : This product can be used with cables having outside diameters of 4, 4.8, and 5.2 mm.

Please use as a set in conjunction with clamp fittings and bushings that suit the cable.

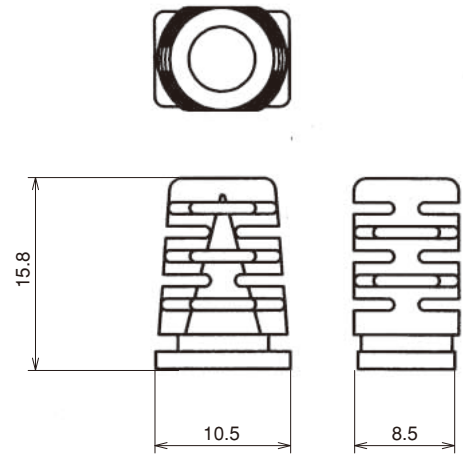
Note 2 : This product is sold as a set with cover A, B, and screws.

● Clamp Fittings



Part No.	HRS No	Material	A Dimension	B Dimension	Outer diameter of the cable	Packaging	RoHS
MQ138-CM (4.0)	206-0891-7	Brass	9	5.5	φ 4.0	1	YES
MQ138-CM (4.8)	206-0684-2		11.3	5.6	φ 4.8		
MQ138-CM (5.2)	206-0664-5		12	5.6	φ 5.2		

● Bushings

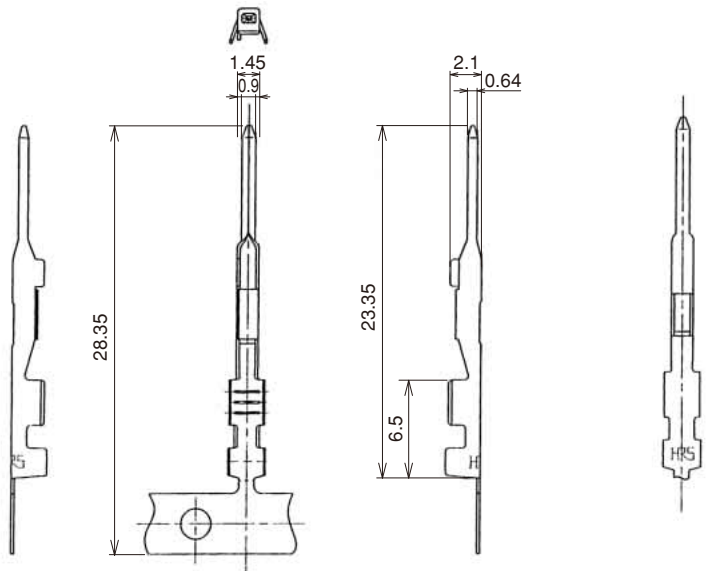


Part No.	HRS No.	Color	Material	Outer diameter of the cable	Packaging	RoHS
MQ138-BS (4.0) (01)	206-0890-4 01	Black	PCV	φ 4.0	1	YES
MQ138-BS (4.8) (01)	206-0683-0 01			φ 4.8		
MQ138-BS (5.2) (01)	206-0662-0 01			φ 5.2		

- GT5
- GT13
- GT16
- PO5G
- GT19
- GT21
- GT26
- GT36
- GT11
- GT17
- GT32
- GT3
- GT7
- GT10**
- GT18W
- GT25
- GT8E
- GT9
- GT15

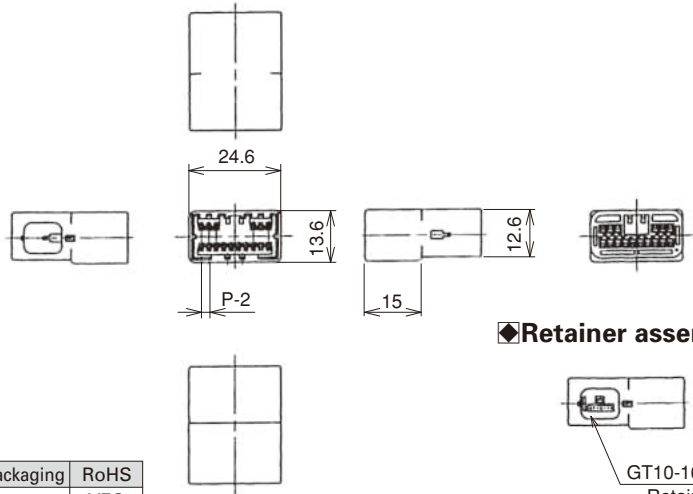
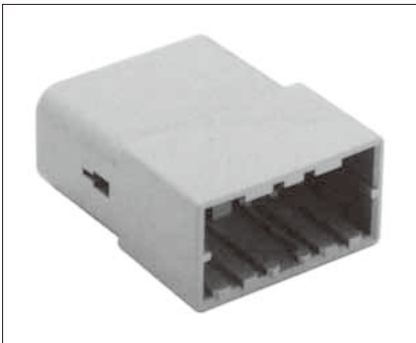
M Connectors

● Terminal



Part No.	HRS No.	Material	Plating	Conductor Size (AWG)	Outer Diameter	Packaging	RoHS
GT10-2022PCF	760-0006-8	Brass	Tin plating	20 to 22 AWG	φ 1.1 to 1.3	10,000 pcs/reel	YES

● Housing



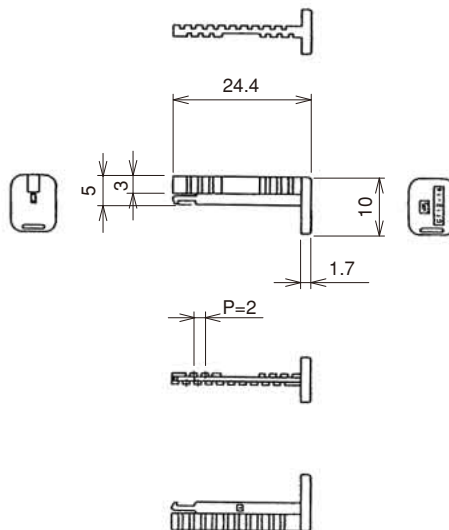
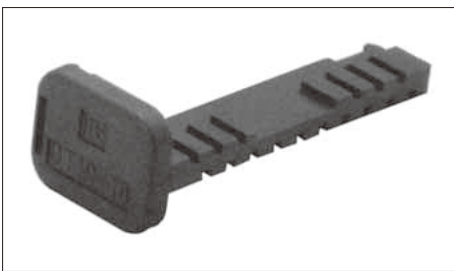
◆ Retainer assembled.

Part No.	HRS No.	Color	Material	Packaging	RoHS
GT10-16DP-HU	760-0004-2	Light Gray	PBT	1	YES

Note: This product has a retainer provisionally attached to the housing.

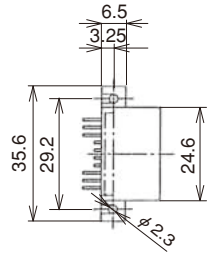
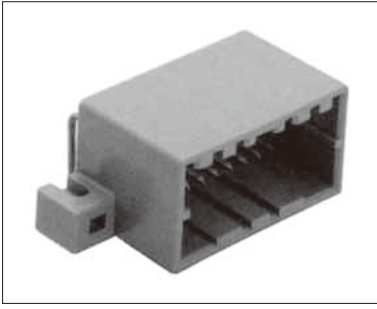
At time of use, install the retainer all the way to the specified position after the terminal has been inserted.

● Retainer (Only for GT10-16DP-HU)

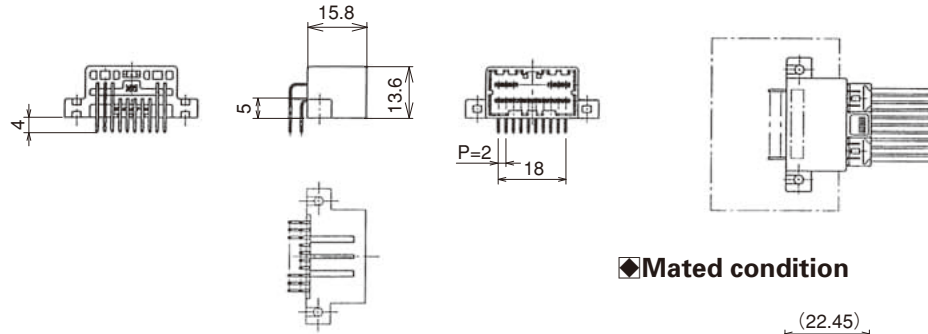
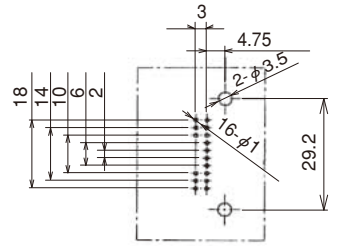


Part No.	HRS No.	Color	Material	Packaging	RoHS
GT10-16DP-R	760-0005-5	Dark Gray	PBT	1	YES

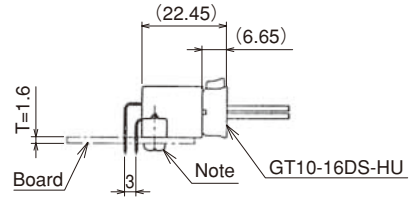
● Board Type



◆ Recommended PCB pattern



◆ Mated condition



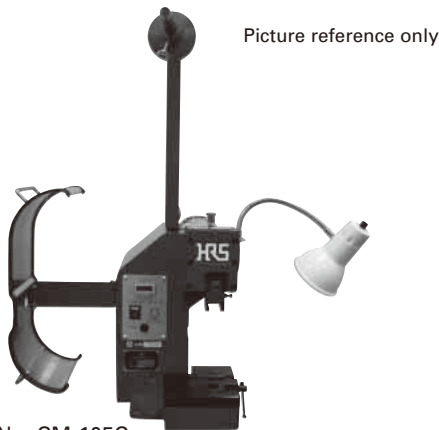
Part No.	HRS No.	Material/Plating or Color	Packaging	RoHS
GT10-16DP-DS(70)	760-0001-4 70	Housing : PBT / Light Gray Terminal : Brass / Tin plating	1	YES

Note : Use class 4 JIS B 1115 and 1122 mounting screws and diameter 3, length 6 (for a board thickness of 1.6mm).

◆ Crimping tools

User manuals are available. Please contact your Hirose Electric account representative.

● Automatic Crimping Machine



Part No. CM-105C

Specifications

Item	Specification	Remarks
Press capacity	1.5tons	—
Stroke Length	30mm	—
Number of strokes	200spm (50Hz)	240spm (60Hz)
Weight	75kg	—
Motor	0.2kw	AC100V
Crimping speed	2,000 to 4,000 pcs/hour	—

● Harness tool

Terminal Part No.	Terminal HRS No.	Tool Part No.	Tool HRS No.
GT10-2022SCF	760-0003-0	AP105-GT10-2022S	901-5016-8
GT10-2022PCF	760-0006-8	AP105-GT10-2022P	901-5049-7
GT10-2428SCF	765-0009-6	AP105-GT10-2428S	901-5063-4

Oct.1.2024 Copyright 2024 HIROSE ELECTRIC CO., LTD. All Rights Reserved.

GT5

GT13

GT16

PO5G

GT19

GT21

GT26

GT36

GT11

GT17

GT32

GT3

GT7

GT10

GT18W

GT25

GT8E

GT9

GT15

Interface Connector