

CA-16P1N8A90DN - Coupler connector



1620152

<https://www.phoenixcontact.com/us/products/1620152>

Please be informed that the data shown in this PDF document is generated from our online catalog. Please find the complete data in the user documentation. Our general terms of use for downloads are valid.



M23, Coupler connector, series: CA, straight, shielded: yes, for standard and SPEEDCON interlock, No. of pos.: 16, Direction of rotation: Standard, contact connection type: Pin, Crimp connection, cable diameter range: 3 mm ... 14.5 mm, coding: N, Alternative product in accordance with RoHS II without Exemption 6c (Pb < 0.1 %) item no.: 1244042

Your advantages

- Safe use in the field, thanks to high degree of protection
- Connector for flexible on-site assembly
- Consistent EMC protection for reliable transmission of signals
- Crimping connection: vibration- and temperature-resistant assembly

Commercial data

Item number	1620152
Packing unit	1 pc
Minimum order quantity	1 pc
Sales key	AB31
Product key	ABRAEG
GTIN	4046356818926
Weight per piece (including packing)	94 g
Weight per piece (excluding packing)	90 g
Customs tariff number	85366990
Country of origin	DE

CA-16P1N8A90DN - Coupler connector



1620152

<https://www.phoenixcontact.com/us/products/1620152>

Technical data

Notes

Order information:	Order 6 x Ø 1 mm crimp contacts separately
--------------------	--

Product properties

Product type	Circular connector (cable-side)
--------------	---------------------------------

Connector

Insulating body

Note	Order information: Order crimp contacts Ø 1 mm separately
Coding	N
Insulation body material	PA 6.6
Connection method	Crimp connection
Contact switching type	Pin
Application	Signal
Number of positions	16
Direction of rotation	Standard
Connection profile	16
Contact diameter Signal contacts	1 mm
Litz wire cross-section Signal contacts min.	0.08 mm ²
Litz wire cross-section Signal contacts max.	1 mm ²
Nominal current per signal contact	8 A
Rated voltage Signal contact	48 V AC
Rated surge voltage	1.5 kV
Overvoltage category	III
Degree of pollution	3

Housing

Housing material	Turned parts: copper zinc alloy (CuZn), die-cast parts: zinc (GD-Zn)
Type of locking	for standard and SPEEDCON interlock
Pg screw connection	none
Degree of protection (plugged in)	IP67
Thread type	M23

Seal

External cable diameter	3 mm ... 14.5 mm
Seal material	NBR

Environmental and real-life conditions

Ambient conditions

Ambient temperature (operation)	-40 °C ... 125 °C
---------------------------------	-------------------

CA-16P1N8A90DN - Coupler connector



1620152

<https://www.phoenixcontact.com/us/products/1620152>

Ambient temperature (storage/transport)	15 °C ... 25 °C
Permissible humidity (storage/transport)	50 % ... 65 %

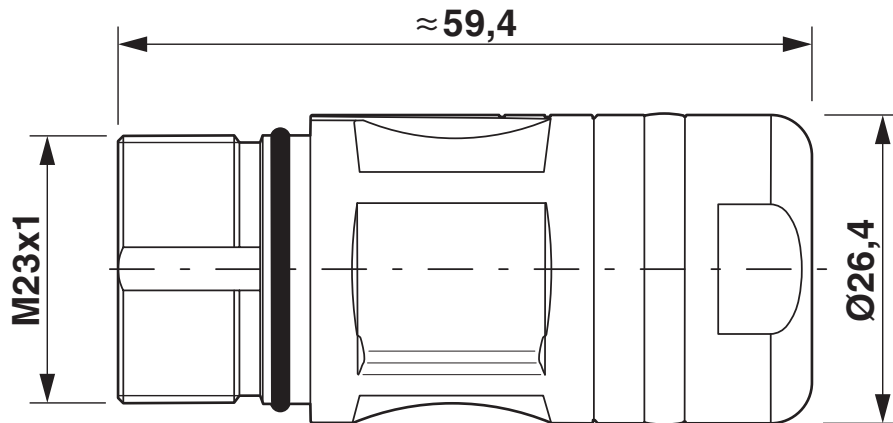
CA-16P1N8A90DN - Coupler connector

1620152

<https://www.phoenixcontact.com/us/products/1620152>

Drawings

Dimensional drawing



Technical drawings can be found under Downloads

CA-16P1N8A90DN - Coupler connector





1620152

<https://www.phoenixcontact.com/us/products/1620152>

Approvals

To download certificates, visit the product detail page: <https://www.phoenixcontact.com/us/products/1620152>

 cUL Recognized Approval ID: E335019-20141210				
	Nominal voltage U_N	Nominal current I_N	Cross section AWG	Cross section mm^2
	48 V	3 A	20 - 20	-

 UL Recognized Approval ID: E335019-20141210				
	Nominal voltage U_N	Nominal current I_N	Cross section AWG	Cross section mm^2
	48 V	5 A	20 - 20	-

cULus Recognized				
-------------------------	--	--	--	--

CA-16P1N8A90DN - Coupler connector



1620152

<https://www.phoenixcontact.com/us/products/1620152>

Classifications

ECLASS

ECLASS-11.0	27440102
ECLASS-12.0	27440116
ECLASS-13.0	27440116

ETIM

ETIM 9.0	EC002635
----------	----------

UNSPSC

UNSPSC 21.0	39121400
-------------	----------

CA-16P1N8A90DN - Coupler connector



1620152

<https://www.phoenixcontact.com/us/products/1620152>

Environmental product compliance

EU RoHS

Fulfills EU RoHS substance requirements	Yes
Exemption	6(c)

China RoHS

Environment friendly use period (EFUP)	EFUP-50
	An article-related China RoHS declaration table can be found in the download area for the respective article under "Manufacturer declaration". For all articles with EFUP-E, no China RoHS declaration table issued and required.

EU REACH SVHC

REACH candidate substance (CAS No.)	Lead(CAS: 7439-92-1)
SCIP	7062bbe4-4c51-47dc-bbbd-1c4f544f9c90

CA-16P1N8A90DN - Coupler connector

1620152

<https://www.phoenixcontact.com/us/products/1620152>

Accessories

SF-Z0019 - Protective cap

1607449

<https://www.phoenixcontact.com/us/products/1607449>



Plastic protection cap, with eye, IP40 for connectors with M23 external thread, RF, SF series

RC-Z2469 - Protective cap

1611797

<https://www.phoenixcontact.com/us/products/1611797>



Plastic protection cap, antistatic, for RF, SF, CA, RC series connectors, with M23 external thread

CA-16P1N8A90DN - Coupler connector

1620152

<https://www.phoenixcontact.com/us/products/1620152>

RC-Z2104 - Metal protective cap

1604260

<https://www.phoenixcontact.com/us/products/1604260>



Metal protective cap, M23, degree of protection: IP67, series: RC, UC, RF, SF, NC, RM, Alternative product in accordance with RoHS II without Exemption 6c (Pb < 0.1 %) item no.: 1241739

RC-Z2068 - Metal protective cap

1604236

<https://www.phoenixcontact.com/us/products/1604236>



Metal protective cap, M23, degree of protection: IP67, series: RC, UC, RF, SF, NC, RM, Alternative product in accordance with RoHS II without Exemption 6c (Pb < 0.1 %) item no.: 1241735

CA-16P1N8A90DN - Coupler connector

1620152

<https://www.phoenixcontact.com/us/products/1620152>

RF-Z0014 - Color coding

1620588

<https://www.phoenixcontact.com/us/products/1620588>

Color coding, color: green



RF-Z0015 - Color coding

1620592

<https://www.phoenixcontact.com/us/products/1620592>

Color coding, color: orange



CA-16P1N8A90DN - Coupler connector

1620152

<https://www.phoenixcontact.com/us/products/1620152>



RF-Z0016 - Color coding

1620593

<https://www.phoenixcontact.com/us/products/1620593>

Color coding, color: black



RF-Z0003 - Square mounting flange

1607905

<https://www.phoenixcontact.com/us/products/1607905>



Square mounting flange, Axial seal, 4xM3, flange dimensions: 35 mm x 35 mm, series: RF, Alternative product in accordance with RoHS II without Exemption 6c (Pb < 0.1 %) item no.: 1242369

CA-16P1N8A90DN - Coupler connector

1620152

<https://www.phoenixcontact.com/us/products/1620152>

RF-Z0007 - Special wrench

1614347

<https://www.phoenixcontact.com/us/products/1614347>

Special wrench, series: RF



PROT-M23PRO-OT-IP20 - Plastic protective cap

1055753

<https://www.phoenixcontact.com/us/products/1055753>

Plastic protective cap, M23, degree of protection: IP20, series: M23 PRO



CA-16P1N8A90DN - Coupler connector

1620152

<https://www.phoenixcontact.com/us/products/1620152>

RC-11P2000 - Crimp contact

1596770

<https://www.phoenixcontact.com/us/products/1596770>



Crimp contact, Pin, turned, Single contact, contact diameter: 1 mm, crimp range: 0.08 mm² ... 0.22 mm², Contact release tool not necessary for the 12- and 17-pos. crimp versions of the M23-PRO series, Alternative product in accordance with RoHS II without Exemption 6c (Pb < 0.1 %) item no.: 1240882

RC-12P2000 - Crimp contact

1597862

<https://www.phoenixcontact.com/us/products/1597862>



Crimp contact, Pin, turned, Single contact, contact diameter: 1 mm, crimp range: 0.14 mm² ... 0.56 mm², Contact release tool not necessary for the 12- and 17-pos. crimp versions of the M23-PRO series, Alternative product in accordance with RoHS II without Exemption 6c (Pb < 0.1 %) item no.: 1240882

CA-16P1N8A90DN - Coupler connector

1620152

<https://www.phoenixcontact.com/us/products/1620152>

RC-1KP2000 - Crimp contact

1602996

<https://www.phoenixcontact.com/us/products/1602996>



Crimp contact, Pin, turned, Single contact, contact diameter: 1 mm, crimp range: 0.5 mm² ... 1 mm², Contact release tool not necessary for the 12- and 17-pos. crimp versions of the M23-PRO series, Alternative product in accordance with RoHS II without Exemption 6c (Pb < 0.1 %) item no.: 1241571

RC-22P2000 - Crimp contact

1603321

<https://www.phoenixcontact.com/us/products/1603321>



Crimp contact, Pin, rolled, Single contact, contact diameter: 1 mm, crimp range: 0.22 mm² ... 0.56 mm², Single contact, Item is lead-free in accordance with RoHS II without Exemption 6c (Pb < 0.1 %)

CA-16P1N8A90DN - Coupler connector

1620152

<https://www.phoenixcontact.com/us/products/1620152>

RC-22P2300 - Crimp contact

1603324

<https://www.phoenixcontact.com/us/products/1603324>



Crimp contact, Pin, rolled, Taped product, number of pieces per reel: 500, contact diameter: 1 mm, crimp range: 0.22 mm² ... 0.56 mm², Item is lead-free in accordance with RoHS II without Exemption 6c (Pb < 0.1 %)

RC-22P2400 - Crimp contact

1603325

<https://www.phoenixcontact.com/us/products/1603325>



Crimp contact, Pin, rolled, Taped product, number of pieces per reel: 10000, contact diameter: 1 mm, crimp range: 0.22 mm² ... 0.56 mm², Item is lead-free in accordance with RoHS II without Exemption 6c (Pb < 0.1 %)

CA-16P1N8A90DN - Coupler connector

1620152

<https://www.phoenixcontact.com/us/products/1620152>

RC-21P2000 - Crimp contact

1603310

<https://www.phoenixcontact.com/us/products/1603310>



Crimp contact, Pin, rolled, Single contact, contact diameter: 1 mm, crimp range: 0.08 mm² ... 0.22 mm², Single contact

RC-21P2300 - Crimp contact

1603313

<https://www.phoenixcontact.com/us/products/1603313>



Crimp contact, Pin, rolled, Taped product, number of pieces per reel: 500, contact diameter: 1 mm, crimp range: 0.08 mm² ... 0.22 mm²

CA-16P1N8A90DN - Coupler connector

1620152

<https://www.phoenixcontact.com/us/products/1620152>



RC-21P2400 - Crimp contact

1611637

<https://www.phoenixcontact.com/us/products/1611637>



Crimp contact, Pin, rolled, Taped product, number of pieces per reel: 10000, contact diameter: 1 mm, crimp range: 0.08 mm² ... 0.22 mm²

Phoenix Contact 2024 © - all rights reserved

<https://www.phoenixcontact.com>

Phoenix Contact USA
586 Fulling Mill Road
Middletown, PA 17057, United States
(+717) 944-1300
info@phoenixcon.com