



Buchanan | Buchanan 6 Series

TE Internal #: 3-1437654-4

Tri-Barrier, Printed Circuit Pin, Wire-to-Board, 22 Position, 9.53 mm

[.375 in] Centerline, 1 Row, Buchanan 6 Series, Barrier Strips

[View on TE.com >](#)

Connectors > Terminal Blocks & Strips > Barrier Strips



Barrier Strip Style: **Tri-Barrier**

Bottom Termination Type: **Printed Circuit Pin**

Connector System: **Wire-to-Board**

Number of Positions: **22**

Centerline (Pitch): **9.53 mm [.375 in]**

## Features

### Product Type Features

|                                   |                            |
|-----------------------------------|----------------------------|
| Block Style                       | Flat Bottom with standoffs |
| Connector System                  | Wire-to-Board              |
| Connector & Contact Terminates To | Printed Circuit Board      |

### Configuration Features

|                     |    |
|---------------------|----|
| Number of Levels    | 1  |
| Number of Positions | 22 |
| Number of Rows      | 1  |

### Electrical Characteristics

|                   |              |
|-------------------|--------------|
| Operating Voltage | 300 V, 600 V |
|-------------------|--------------|

### Body Features

|                       |             |
|-----------------------|-------------|
| Primary Product Color | Black       |
| Product Orientation   | Vertical    |
| Barrier Strip Style   | Tri-Barrier |

### Contact Features



|   |              |
|---|--------------|
| PCB Contact Termination Area Plating Material | Tin          |
| Contact Base Material                         | Copper Alloy |
| Contact Current Rating (Max)                  | 5 A, 25 A    |

#### Termination Features

|                         |                     |
|-------------------------|---------------------|
| Bottom Termination Type | Printed Circuit Pin |
|-------------------------|---------------------|

#### Mechanical Attachment

|                         |                       |
|-------------------------|-----------------------|
| Screw Head Type         | Combo Phil-Slot       |
| Screw Plating Material  | Zinc Chromate         |
| Screw Material          | Steel                 |
| Top Termination Type    | Wire Clamp Combo Head |
| Mounting Options        | None                  |
| Thread Size             | 6-32                  |
| Connector Mounting Type | Board Mount           |

#### Housing Features

|                    |                   |
|--------------------|-------------------|
| Housing Material   | Thermoplastic     |
| Centerline (Pitch) | 9.53 mm [.375 in] |

#### Dimensions

|                |                        |
|----------------|------------------------|
| Product Length | 211.1 mm [8.311 in]    |
| Wire Size      | .3 – 3 mm <sup>2</sup> |

#### Operation/Application

|                     |       |
|---------------------|-------|
| Circuit Application | Power |
|---------------------|-------|

#### Industry Standards

|                        |          |
|------------------------|----------|
| UL Flammability Rating | UL 94V-0 |
|------------------------|----------|

#### Packaging Features

|                    |         |
|--------------------|---------|
| Packaging Quantity | 45      |
| Packaging Method   | Package |

#### Product Compliance

For compliance documentation, visit the product page on [TE.com](#)>

|   |   |
|---|---|
| EU RoHS Directive 2011/65/EU                  | Compliant                               |
| EU ELV Directive 2000/53/EC                   | Not Yet Reviewed                        |
| China RoHS 2 Directive MIIT Order No 32, 2016 | No Restricted Materials Above Threshold |



EU REACH Regulation (EC) No. 1907/2006

Current ECHA Candidate List: JUNE 2024 (241)

Candidate List Declared Against: JUNE 2022 (224)

Does not contain REACH SVHC

Halogen Content

Not Yet Reviewed for halogen content

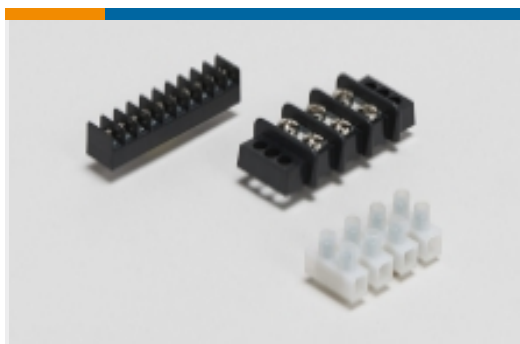
Solder Process Capability

Wave solder capable to 265°C

Product Compliance Disclaimer

This information is provided based on reasonable inquiry of our suppliers and represents our current actual knowledge based on the information they provided. This information is subject to change. The part numbers that TE has identified as EU RoHS compliant have a maximum concentration of 0.1% by weight in homogenous materials for lead, hexavalent chromium, mercury, PBB, PBDE, DBP, BBP, DEHP, DIBP, and 0.01% for cadmium, or qualify for an exemption to these limits as defined in the Annexes of Directive 2011/65/EU (RoHS2). Finished electrical and electronic equipment products will be CE marked as required by Directive 2011/65/EU. Components may not be CE marked. Additionally, the part numbers that TE has identified as EU ELV compliant have a maximum concentration of 0.1% by weight in homogenous materials for lead, hexavalent chromium, and mercury, and 0.01% for cadmium, or qualify for an exemption to these limits as defined in the Annexes of Directive 2000/53/EC (ELV). Regarding the REACH Regulation, the information TE provides on SVHC in articles for this part number is based on the latest European Chemicals Agency (ECHA) 'Guidance on requirements for substances in articles' posted at this URL: <https://echa.europa.eu/guidance-documents/guidance-on-reach>

Also in the Series | **Buchanan 6 Series**



Barrier Strips(258)

Customers Also Bought



TE Part #DT04-2P  
REC, 2P, GRY, N



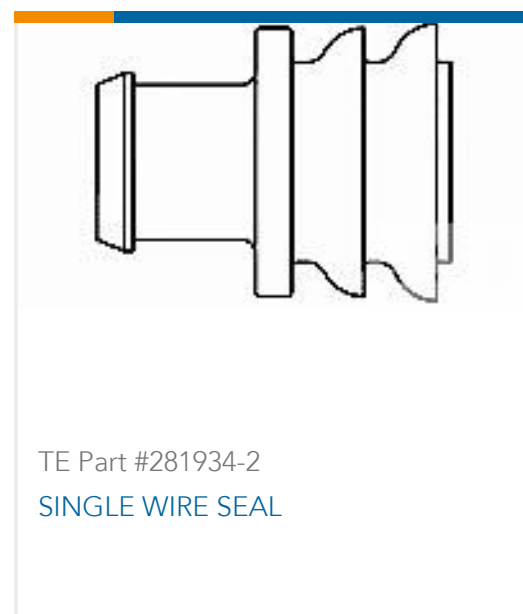
TE Part #DT06-2S  
PLG, 2P, GRY, N



TE Part #W2S  
Wedgelocks: DEUTSCH DT



TE Part #0460-202-16141  
DEUTSCH Solid Contacts



## Documents

### Product Drawings

[6PCV-22-006=6PCV ASSEMBLY](#)

English

### CAD Files

Customer View Model

[ENG\\_CVM\\_CVM\\_3-1437654-4\\_P.2d\\_dxf.zip](#)

English

[3D PDF](#)

3D

Customer View Model

[ENG\\_CVM\\_CVM\\_3-1437654-4\\_P.3d\\_igs.zip](#)

English

Customer View Model

[ENG\\_CVM\\_CVM\\_3-1437654-4\\_P.3d\\_stp.zip](#)

English

By downloading the CAD file I accept and agree to the [Terms and Conditions](#) of use.

### Datasheets & Catalog Pages

[1-1773458-2\\_BARRIER\\_STRIPS\\_QUICK\\_REFERENCE\\_GUIDE](#)

English

### Agency Approvals

[UL](#)

English