

TUSB2040A

4-PORT HUB FOR THE UNIVERSAL SERIAL BUS

WITH OPTIONAL SERIAL EEPROM INTERFACE

SLLS288B – FEBRUARY 1998 – REVISED MARCH 1998

description (continued)

The TUSB2040A supports bus-power and self-power modes. The power switching to the downstream ports can either be controlled individually or ganged using external devices to switch power and to detect overcurrent conditions. Outputs from the external power devices provide overcurrent inputs to the TUSB2040A $\overline{\text{OVR}}\text{CUR}$ pins and in the case of an overcurrent condition, the corresponding $\overline{\text{PWR}}\text{ON}$ pins will be disabled by the TUSB2040A. In the GANGED operation, all $\overline{\text{PWR}}\text{ON}$ signals transition simultaneously, and any $\overline{\text{OVR}}\text{CUR}$ input can be used.

The hub requires a 48-MHz clock signal to sample data from the upstream port and generate a synchronized 12-MHz USB clock signal. The hub supports the flexibility to use any device that generates a 48-MHz clock. Because the majority of oscillators are active devices, the low power suspend mode of the TUSB2040A will not function because there is no way to stop the oscillator from driving the internal clock. An oscillator with a TTL output not exceeding 3.6 V can be used by connecting its output to the XTAL1 terminal and leaving the XTAL2 terminal open. For crystal or resonator implementations, use the XTAL1 terminal as the input and the XTAL2 terminal as the feedback path. Because the crystal is required to resonate at 48 MHz, a tuning circuit as shown in Figure 8 may be required.

The upstream port and all downstream ports are USB-compliant transceivers. Every downstream port supports both full-speed and low-speed connections by automatically setting the slew rate according to the speed of the device attached to the port.

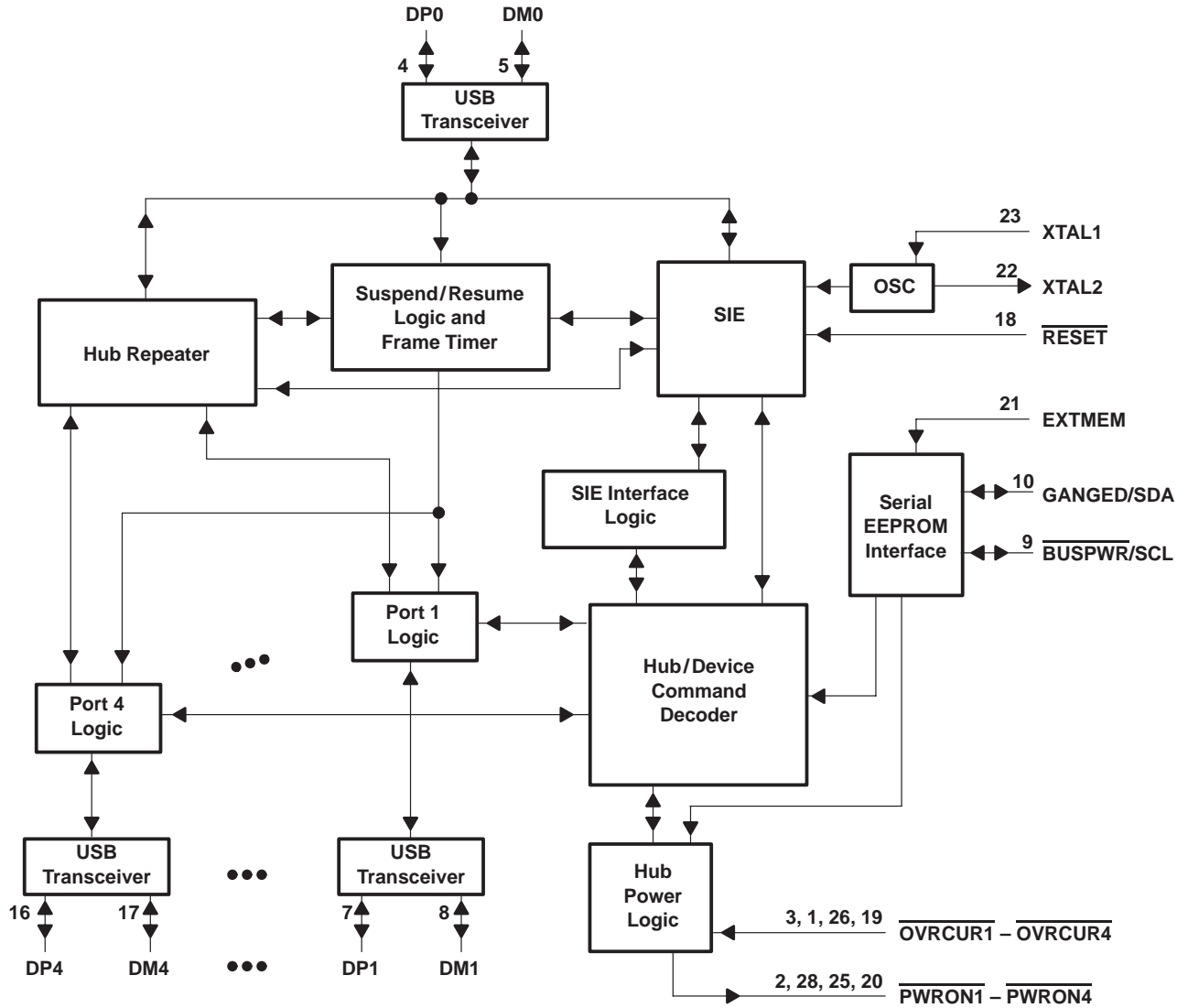


POST OFFICE BOX 655303 • DALLAS, TEXAS 75265

TUSB2040A 4-PORT HUB FOR THE UNIVERSAL SERIAL BUS WITH OPTIONAL SERIAL EEPROM INTERFACE

SLLS288B – FEBRUARY 1998 – REVISED MARCH 1998

functional block diagram



NOTE: Terminal numbers shown are for the N package.

TUSB2040A

4-PORT HUB FOR THE UNIVERSAL SERIAL BUS

WITH OPTIONAL SERIAL EEPROM INTERFACE

SLLS288B – FEBRUARY 1998 – REVISED MARCH 1998

Terminal Functions

TERMINAL			I/O	DESCRIPTION
NAME	N	PT		
BUSPWR/SCL	9	10	I/O	Power source input/EEPROM serial clock. When EXTMEM is low, $\overline{\text{BUSPWR/SCL}}$ is an active low input that indicates whether the ports and the hub derive power from the bus or the local supply. When EXTMEM is high, $\overline{\text{BUSPWR/SCL}}$ acts as a tri-state serial clock output to the EEPROM with a 100 μA internal pulldown. This standard TTL input must not change dynamically during operation.
DM0	5	2	I/O	Root port USB differential data minus. DM0 paired with DP0 constitutes the upstream USB port.
DM1 – DM4	8, 12, 15, 17	7, 14, 19, 24	I/O	USB differential data minus. DM1 – DM4 paired with DP1 – DP4 support up to four downstream USB ports.
DP0	4	1	I/O	Root port USB differential data plus. DP0 paired with DM0 constitutes the upstream USB port.
DP1 – DP4	7, 11, 14, 16	6, 13, 18, 23	I/O	USB differential data plus. DP1 – DP4 paired with DM1 – DM4 support up to four downstream USB ports.
GANGED/SDA	10	11	I/O	Power switching and overcurrent detection mode/EEPROM serial data I/O. When EXTMEM is low, GANGED/SDA selects between gang or per port switching for the overcurrent detection of the downstream ports. When EXTMEM is high, GANGED/SDA acts as a tri-state serial data I/O to and from the EEPROM with a 100 μA internal pull-down. This standard TTL input must not change dynamically during operation.
GND	6, 24	3, 36		Ground. GND terminals must be tied to ground for proper operation.
EXTMEM	21	32	I	EEPROM read enable. When EXTMEM is low, it disables the serial EEPROM interface of the device. Pins 9 and 10 are configured as $\overline{\text{BUSPWR}}$ and $\overline{\text{GANGED}}$, respectively. When EXTMEM is high, it enables the serial EEPROM interface and pins 9 and 10 are configured as SCL and SDA, respectively.
$\overline{\text{OVRCUR1}}$ – $\overline{\text{OVRCUR4}}$	3, 1, 26, 19	48, 46, 38, 27	I	Overcurrent indicators. $\overline{\text{OVRCUR1}}$ – $\overline{\text{OVRCUR4}}$ are active low, standard TTL inputs. One overcurrent indicator is available for each of the four downstream ports. In GANGED mode, one implementation is to tie these inputs together. Alternatively, one $\overline{\text{OVRCUR}}$ input pin may be used with the remaining $\overline{\text{OVRCUR}}$ pins tied to V_{CC} .
$\overline{\text{PWRON1}}$ – $\overline{\text{PWRON4}}$	2, 28, 25, 20	47, 44, 37, 29	O	Power-on/off control signals. $\overline{\text{PWRON1}}$ – $\overline{\text{PWRON4}}$ are active low, open-drain outputs. One power-on/off control switch is used for each of the four downstream ports. In GANGED mode, all outputs are switched together.
$\overline{\text{RESET}}$	18	25	I	Reset. $\overline{\text{RESET}}$ is an active low TTL input with hysteresis and must be asserted at power up. When $\overline{\text{RESET}}$ is asserted, it initializes all logic.
SUSPND		20	O	Suspend status. SUSPND is an active high output that is available for external logic power down operations. During the SUSPEND mode, SUSPND is high. SUSPND is low for normal operation.
V_{CC}	13, 27	15, 41		3.3-V supply voltage
XTAL1	23	35	I	Crystal 1. XTAL1 is a 48-MHz crystal input with 50% duty cycle. Operation at 48-MHz is four times the USB full-speed bit rate of 12 Mbps.
XTAL2	22	34	O	Crystal 2. XTAL2 is a 48-MHz crystal output. Operation at 48-MHz is four times the USB full-speed bit rate of 12 Mbps. This terminal is left open when using an oscillator.

absolute maximum ratings over operating free-air temperature range (unless otherwise noted)†

Supply voltage range, V_{CC} (see Note 1)	–0.5 V to 3.8 V
Input voltage range, V_I	–0.5 V to $V_{CC} + 0.5$ V
Output voltage range, V_O	–0.5 V to $V_{CC} + 0.5$ V
Input clamp current, I_{IK} , ($V_I < 0$ V or $V_I > V_{CC}$)	± 20 mA
Output clamp current, I_{OK} , ($V_O < 0$ V or $V_O > V_{CC}$)	± 20 mA
Storage temperature range, T_{stg}	–65°C to 150°C

† Stresses beyond those listed under “absolute maximum ratings” may cause permanent damage to the device. These are stress ratings only, and functional operation of the device at these or any other conditions beyond those indicated under “recommended operating conditions” is not implied. Exposure to absolute-maximum-rated conditions for extended periods may affect device reliability.

NOTE 1: All voltage levels are with respect to GND.



POST OFFICE BOX 655303 • DALLAS, TEXAS 75265

TUSB2040A

4-PORT HUB FOR THE UNIVERSAL SERIAL BUS WITH OPTIONAL SERIAL EEPROM INTERFACE

SLLS288B – FEBRUARY 1998 – REVISED MARCH 1998

recommended operating conditions

	MIN	NOM	MAX	UNIT
Supply voltage, V_{CC}	3	3.3	3.6	V
Input voltage, TTL/LVCMOS, V_I	0		V_{CC}	V
Output voltage, TTL/LVCMOS, V_O	0		V_{CC}	V
High-level input voltage, signal-ended receiver, $V_{IH(REC)}$	2		V_{CC}	V
Low-level input voltage, signal-ended receiver, $V_{IL(REC)}$			0.8	V
High-level input voltage, TTL/LVCMOS, $V_{IH(TTL)}$	2		V_{CC}	V
Low-level input voltage, TTL/LVCMOS, $V_{IL(TTL)}$			0.8	V
Operating free-air temperature, T_A	0		70	°C
External series, differential driver resistor, $R_{(DRV)}$	22 (-5%)		22 (+5%)	Ω
Operating (dc differential driver) high speed mode, $f_{(OPRH)}$			12	Mb/s
Operating (dc differential driver) low speed mode, $f_{(OPRL)}$			1.5	Mb/s
Common mode, input range, differential receiver, $V_{(ICR)}$	0.8		2.5	V
Input transition times, t_t , TTL/LVCMOS	0		6	ns

electrical characteristics over recommended ranges of operating free-air temperature and supply voltage (unless otherwise noted)

PARAMETER		TEST CONDITIONS	MIN	MAX	UNIT	
V_{OH}	High-level output voltage	USB data lines	$R_{(DRV)} = 15\text{ k}\Omega$, to GND	2.8	3.6	V
			$I_{OH} = -12\text{ mA}$ (without $R_{(DRV)}$)	$V_{CC} - 0.5$		
V_{OL}	Low-level output voltage	TTL/LVCMOS	$I_{OL} = 4\text{ mA}$		0.5	V
		USB data lines	$R_{(DRV)} = 1.5\text{ k}\Omega$ to 3.6 V		0.3	
			$I_{OL} = 12\text{ mA}$ (without $R_{(DRV)}$)		0.5	
V_{IT+}	Positive input threshold voltage	TTL/LVCMOS			2	V
		Single-ended	$0.8\text{ V} \leq V_{ICR} \leq 2.5\text{ V}$		1.8	V
V_{IT-}	Negative-input threshold voltage	TTL/LVCMOS		0.8		V
		Single-ended	$0.8\text{ V} \leq V_{ICR} \leq 2.5\text{ V}$	1		V
V_{hys}	Input hysteresis† ($V_{T+} - V_{T-}$)	TTL/LVCMOS		0.25	0.7	V
		Single-ended	$0.8\text{ V} \leq V_{ICR} \leq 2.5\text{ V}$	300	500	mV
I_{OZ}	High-impedance output current	TTL/LVCMOS	$V = V_{CC}$ or GND‡		± 10	μA
		USB data lines	$0\text{ V} \leq V_O \leq V_{CC}$		± 10	μA
I_{IL}	Low-level input current	TTL/LVCMOS	$V_I = \text{GND}$		-1	μA
I_{IH}	High-level input current	TTL/LVCMOS	$V_I = V_{CC}$		1	μA
$Z_{O(DRV)}$	Driver output impedance	USB data lines	Static V_{OH} or V_{OL}	7.1	19.9	Ω
V_{ID}	Differential input voltage	USB data lines	$0.8\text{ V} \leq V_{ICR} \leq 2.5\text{ V}$	0.2		V
I_{CC}	Input supply current		Normal operation		100	mA
			Suspend mode		1	μA

† Applies for input buffers with hysteresis

‡ Applies for open drain buffers

TUSB2040A
4-PORT HUB FOR THE UNIVERSAL SERIAL BUS
WITH OPTIONAL SERIAL EEPROM INTERFACE

SLLS288B – FEBRUARY 1998 – REVISED MARCH 1998

differential driver switching characteristics over recommended ranges of operating free-air temperature and supply voltage, $C_L = 50$ pF unless otherwise noted (see Figures 1 and 2)

full speed mode

PARAMETER	TEST CONDITIONS	MIN	MAX	UNIT	
t_r	Transition rise time for DP or DM	See Figure 1 and Figure 2	4	20	ns
t_f	Transition fall time for DP or DM	See Figure 1 and Figure 2	4	20	ns
$t_{(RFM)}$	Rise/fall time matching	$(t_r/t_f) \times 100$	90	110	%
$V_{O(CRS)}$	Signal crossover output voltage		1.3	2.0	V

low speed mode

PARAMETER	TEST CONDITIONS	MIN	MAX	UNIT	
t_r	Transition rise time for DP to DM	$C_L = 50$ pF to 350 pF, See Figure 1 and Figure 2	75	300	ns
t_f	Transition fall time for DP to DM	$C_L = 50$ pF to 350 pF, See Figure 1 and Figure 2	75	300	ns
$t_{(RFM)}$	Rise/fall time matching	$(t_r/t_f) \times 100$	80	120	%
$V_{O(CRS)}$	Signal crossover output voltage	$C_L = 50$ pF to 350 pF	1.3	2.0	V

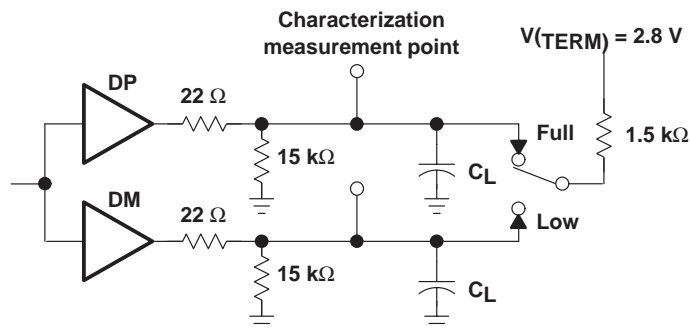


Figure 1. Differential Driver Switching Load

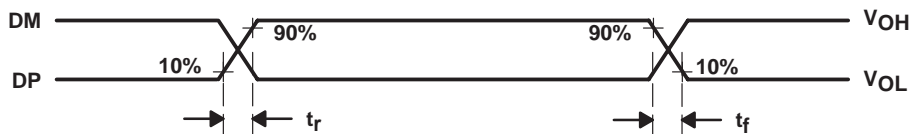


Figure 2. Differential Driver Timing Waveforms

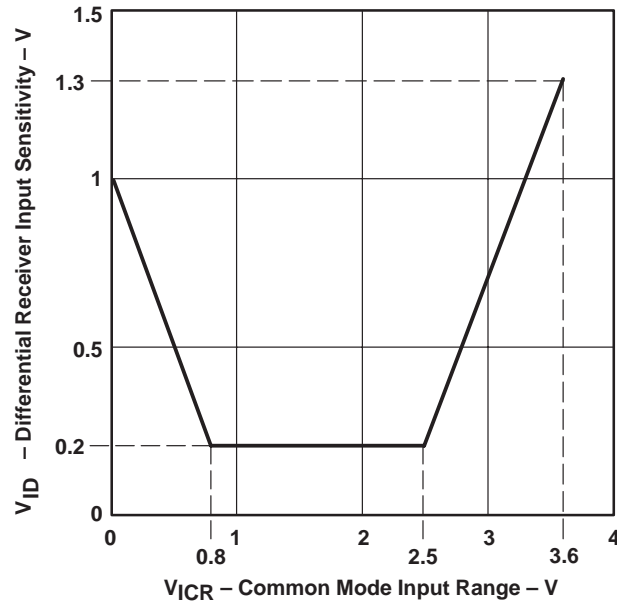


Figure 3. Differential Receiver Input Sensitivity vs. Common Mode Input Range

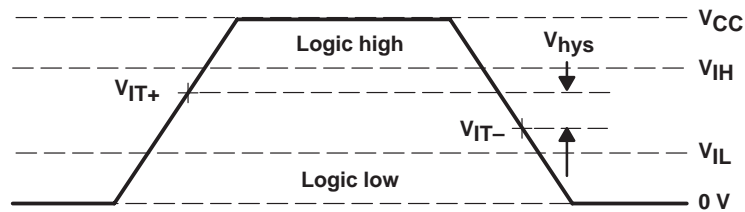


Figure 4. Single-Ended Receiver Input Signal Parameter Definitions

TUSB2040A 4-PORT HUB FOR THE UNIVERSAL SERIAL BUS WITH OPTIONAL SERIAL EEPROM INTERFACE

SLLS288B – FEBRUARY 1998 – REVISED MARCH 1998

APPLICATION INFORMATION

A major advantage of USB is the ability to connect 127 functions configured in up to six logical layers (tiers) to a single personal computer (see Figure 5).

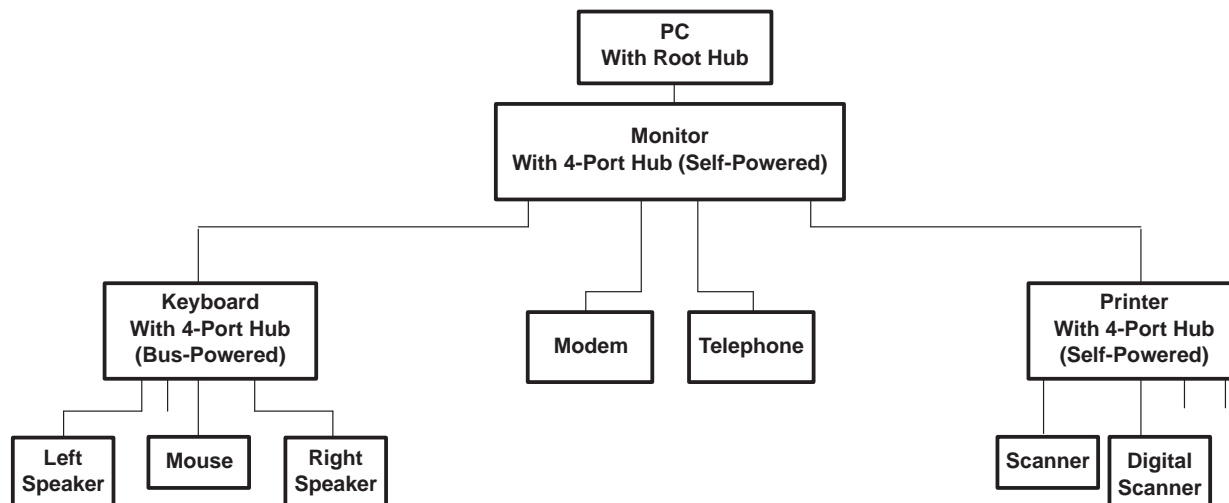


Figure 5. USB Tiered Configuration Example

Another advantage of USB is that all peripherals are connected using a standardized four wire cable that provides both communication and power distribution. The three power configurations are bus-powered, self-powered and high-powered modes. For all three configurations, 100 mA is the maximum current that may be drawn from the USB 5-V line during power up. For the bus-powered mode, a hub can draw a maximum of 500 mA from the 5-V line of the USB cable. A bus-powered hub must always be connected downstream to a self-powered hub unless it is the only hub connected to the PC and there are no high-powered functions connected downstream. In the self-powered mode, the hub is connected to its own power supply and can supply up to 500 mA to each downstream port. High-powered functions may draw a maximum of 500 mA and may only be connected downstream to self-powered hubs.

Both bus-powered and self-powered hubs require overcurrent protection for all downstream ports. The two types of protection are individual port management (individual port basis) or ganged port management (multiple port basis). Individual port management requires power management devices for each individual downstream port, but adds robustness to the USB system because, in the event of an overcurrent condition, the USB host powers down the port that has the condition. The ganged configuration uses fewer power management devices and thus has lower system costs, but in the event of an overcurrent condition on any of the downstream ports, all the ganged ports are disabled by the USB host.

Using a combination of the $\overline{\text{BUSPWR}}$ and GANGED inputs, the TUSB2040A supports four modes of power management: bus-powered hub with either individual port power management, or ganged port power management and the self-powered hub with either individual port power management, or ganged port power management. Texas Instruments supplies the complete hub solution because we offer this TUSB2040A, the TUSB2070 (7-port) and the TUSB2140A (4-port with I²C) hubs along with the power management chips needed to implement a fully USB Specification 1.0 compliant system.

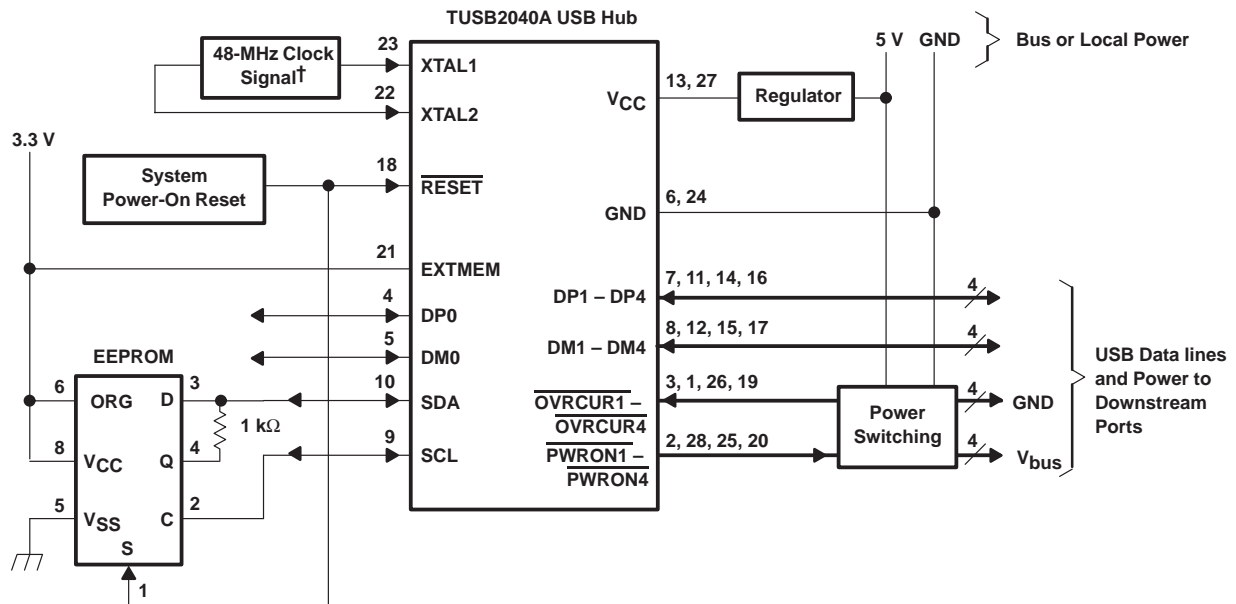
APPLICATION INFORMATION

USB design notes

The following sections provide block diagram examples of how to implement the TUSB2040A device. Please note, even though no resistors are shown, pull-up, pull-down and series resistors must still be used to properly implement this device. Figure 1 shows a few resistors that must be used for the USB lines, and for a general reference design, one is available on the TI USB web site.

Figure 6 is a block diagram example of how to connect the external EEPROM if configurable Product ID and Vendor ID are desired. Please note that the pin numbers in Figure 6 are for the DIP package.

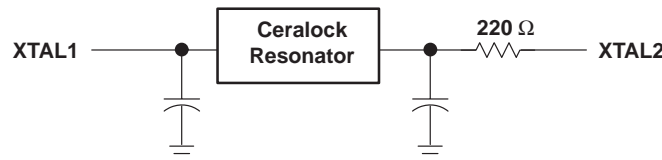
Figure 7 and 8 are examples of how to generate the 48-MHz clock signal. Figure 9 shows the EEPROM Read Operation Timing Diagram. Figures 10, 11 and 12 illustrate how to connect the TUSB2040A device for different power source and port power management combinations.



† Figures 7 and 8 are two examples of how to generate the 48-MHz clock signal.

‡ Pin numbers shown are for the N package.

Figure 6. Typical Application of the TUSB2040 USB Hub



NOTE A: A simple way to achieve the required 48-MHz clock signal is to use a resonator such as the Ceralock™ resonator in Figure 7. MuRata Electronics, Inc. manufactures a surface mount version, P/N CSACV48.00MXJ040, and a dip version, P/N CSA48.00MXZ040. The 220 Ω resistor is used to tune the 48-MHz signal. The circuit functions properly without the capacitors, but in order to decrease EMI emissions, the capacitors are used to decrease the amplitude of the signal. The exact values of the capacitors are dependent on the capacitance of the board layout. Increasing the capacitance decreases the amplitude of the clock signal. For the 4-layer PCB tested, 22 pF capacitors were used. If the capacitors are too large, the amplitude of the clock signal will not be large enough for the successful enumeration of the TUSB2040A by the USB host.

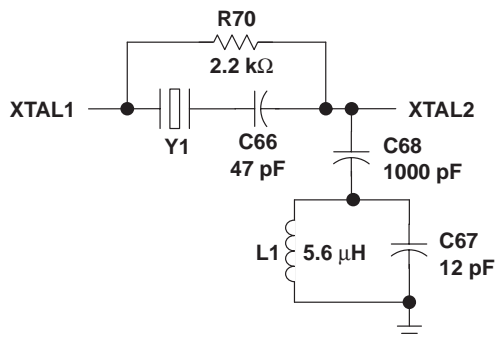
Figure 7. Resonator Clock Circuit

Ceralock is a trademark of MuRata Electronics Incorporated

TUSB2040A 4-PORT HUB FOR THE UNIVERSAL SERIAL BUS WITH OPTIONAL SERIAL EEPROM INTERFACE

SLLS288B – FEBRUARY 1998 – REVISED MARCH 1998

APPLICATION INFORMATION



NOTE B: This application shows a third harmonic 48-MHz crystal, P/N HC-18/U 48-MHz, manufactured by US Crystal, Inc. Since the first harmonic of most crystals is not 48-MHz, a tuning circuit such as this must be used to tune the crystal to the required 48-MHz clock signal. When tuning the crystal (Y1) for different board implementations, the capacitor (C67) and the resistor (R70) are subject to change and the other components should remain the same.

Figure 8. Crystal Tuning Circuit

programming the EEPROM

An SGS Thompson M93C46 EEPROM or equivalent is used for storing the programmable VID and PID. When the EEPROM interface is enabled (EXTMEM = 1), the SCL and SDA are internally pulled down (100 μ A) inside the TUSB2040A. However, in low-power suspend mode, the BUSPWR/SCL pin must be externally pulled down because the internal pulldowns are disabled. The internal pulldowns are also disabled when the EEPROM interface is disabled (EXTMEM = 0).

The EEPROM is programmed with the three 16-bit locations as shown in Table 1. Connecting pin 6 of the EEPROM high (ORG = 1) organizes the EEPROM memory into 64 \times 16 bit words.

Table 1. EEPROM Memory Map

ADDRESS	D15	D14	D13	D12–D8	D7–D0
00000	0	GANGED	BUSPWR	00000	00000000
00001	VID High-byte				VID Low-byte
00010	PID High-byte				PID Low-byte
	XXXXXXXX				

The D and Q signals of the EEPROM must be tied together using a 1 k Ω resistor with the common I/O operations forming a single-wire bus. After system power-on reset, the TUSB2040A performs a one-time access read operation from the EEPROM if the EXTMEM pin is pulled high and the chip select of the EEPROM is connected to the system power-on reset. Initially, the SDA pin will be driven by the TUSB2040A to send a start bit (1) which is followed by the read instruction (10) and the starting-word address (00000). Once the read instruction is received, the instruction and address are decoded by the EEPROM, which then sends the data to the output shift register. At this point, the hub stops driving the SDA pin and the EEPROM starts driving. A dummy (0) bit is then output and the first three 16-bit words in the EEPROM are output with the most significant bit (MSB) first.

The output data changes are triggered by the rising edge of the clock provided by the TUSB2040A on the SCL pin. The *SGS-Thompson M936C46* EEPROM is recommended because it advances to the next memory location by automatically incrementing the address internally. Any EEPROM used must have the automatic internal address advance function. After reading the three words of data from the EEPROM, the TUSB2040A puts the EEPROM interface into a high-impedance condition (pulled down internally) to allow other logic to share the EEPROM. The EEPROM read operation is summarized in Figure 9. For more details on EEPROM operation, refer to *SGS-Thompson Microelectronics M93C46 Serial Microwire Bus EEPROM* data sheet.

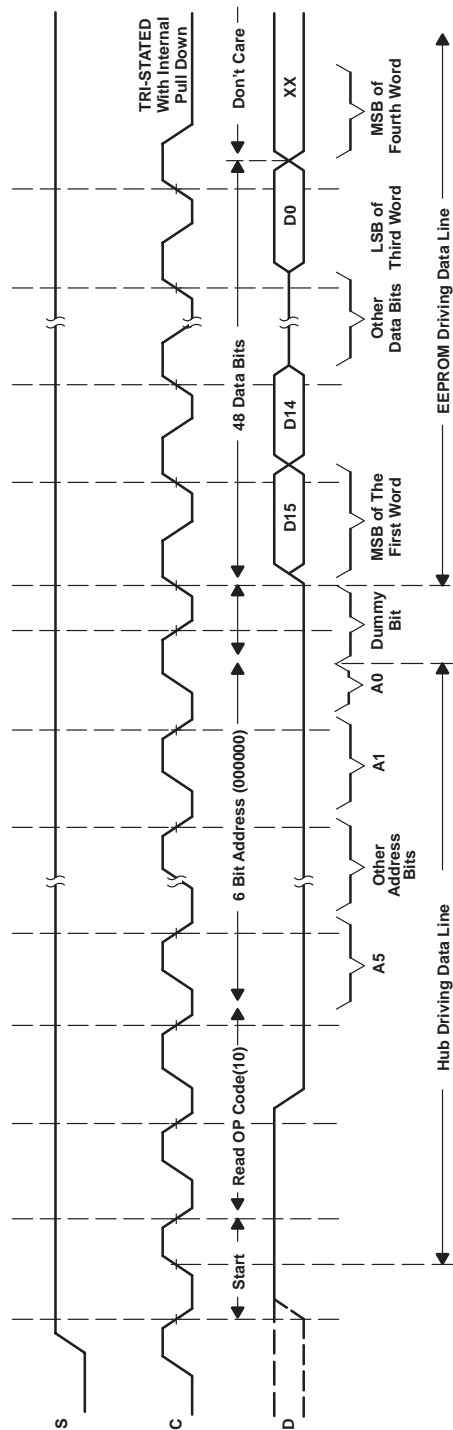


Figure 9. EEPROM Read Operation Timing Diagram

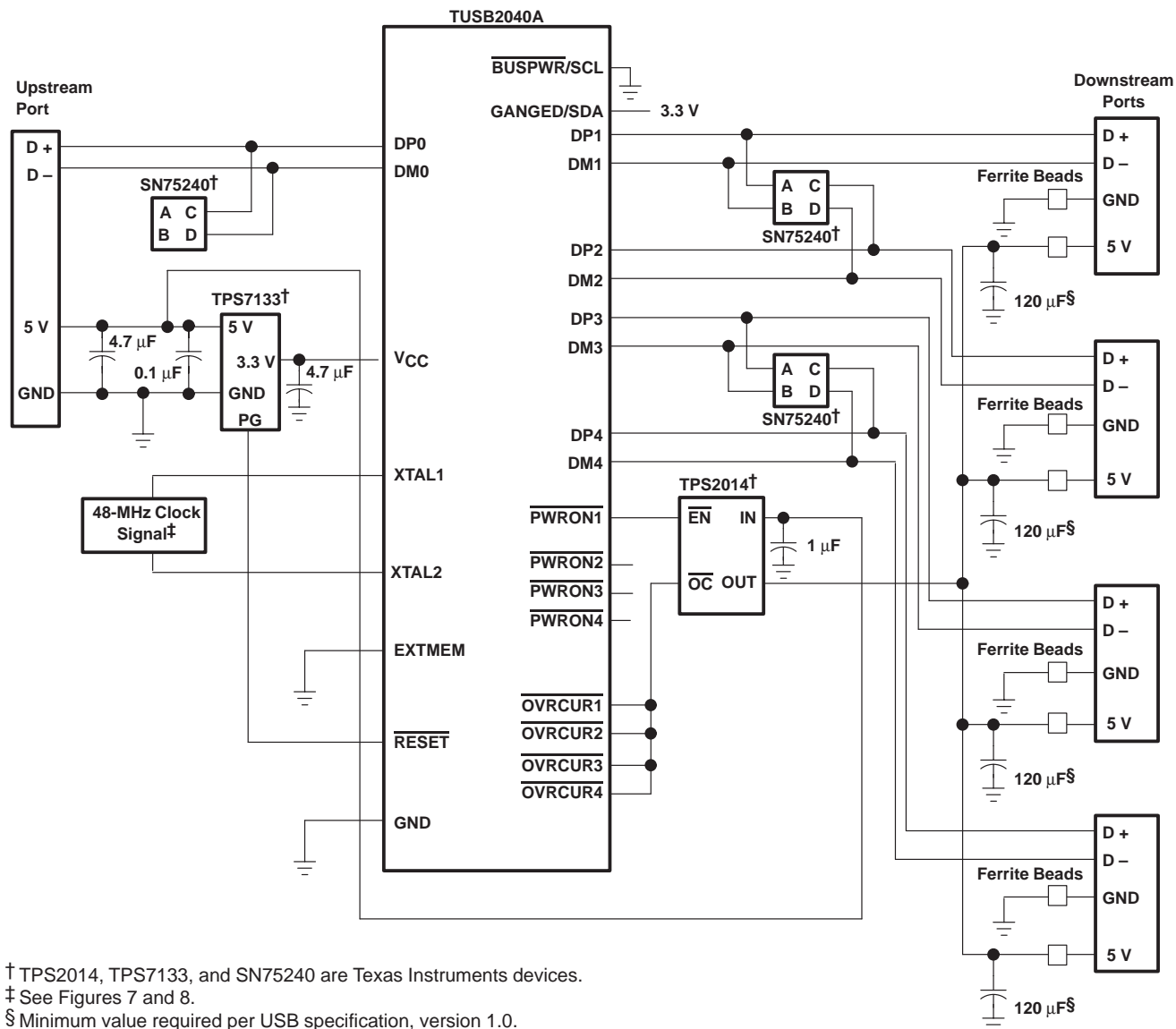
TUSB2040A 4-PORT HUB FOR THE UNIVERSAL SERIAL BUS WITH OPTIONAL SERIAL EEPROM INTERFACE

SLLS288B – JANUARY 1998 – REVISED MARCH 1998

APPLICATION INFORMATION

bus-powered hub, ganged port power management

A bus-powered TUSB2040A supports up to four downstream ports and is capable of supplying 100 mA of current for low-power device class functions to each downstream port. Bus-powered hubs must implement power switching. Ganged power management (see Figure 10) utilizes the TPS2014 power switch device and provides overcurrent protection for downstream ports. Individual SN75240 transient suppressors reduce in-rush current and voltage spikes. The TPS7133 low-dropout voltage regulator provides a power good (PG) signal for reset at power up. $\overline{\text{OVR}}\text{CUR}1 - \overline{\text{OVR}}\text{CUR}4$ inputs can be tied together for ganged mode operation.



† TPS2014, TPS7133, and SN75240 are Texas Instruments devices.

‡ See Figures 7 and 8.

§ Minimum value required per USB specification, version 1.0.

Figure 10. TUSB2040A Bus-Powered Hub, Ganged Port Power Management Application

TUSB2040A 4-PORT HUB FOR THE UNIVERSAL SERIAL BUS WITH OPTIONAL SERIAL EEPROM INTERFACE

SLLS288B – JANUARY 1998 – REVISED MARCH 1998

APPLICATION INFORMATION

self-powered hub, ganged port power management

A self-powered TUSB2040A can also be implemented using ganged port power management (see Figure 11). This implementation is similar to the individual power management except one TPS2015 provides power switching and overcurrent protection for two ports. Although this is a more economical solution, a fault on one downstream port causes power to be removed from both downstream ports.

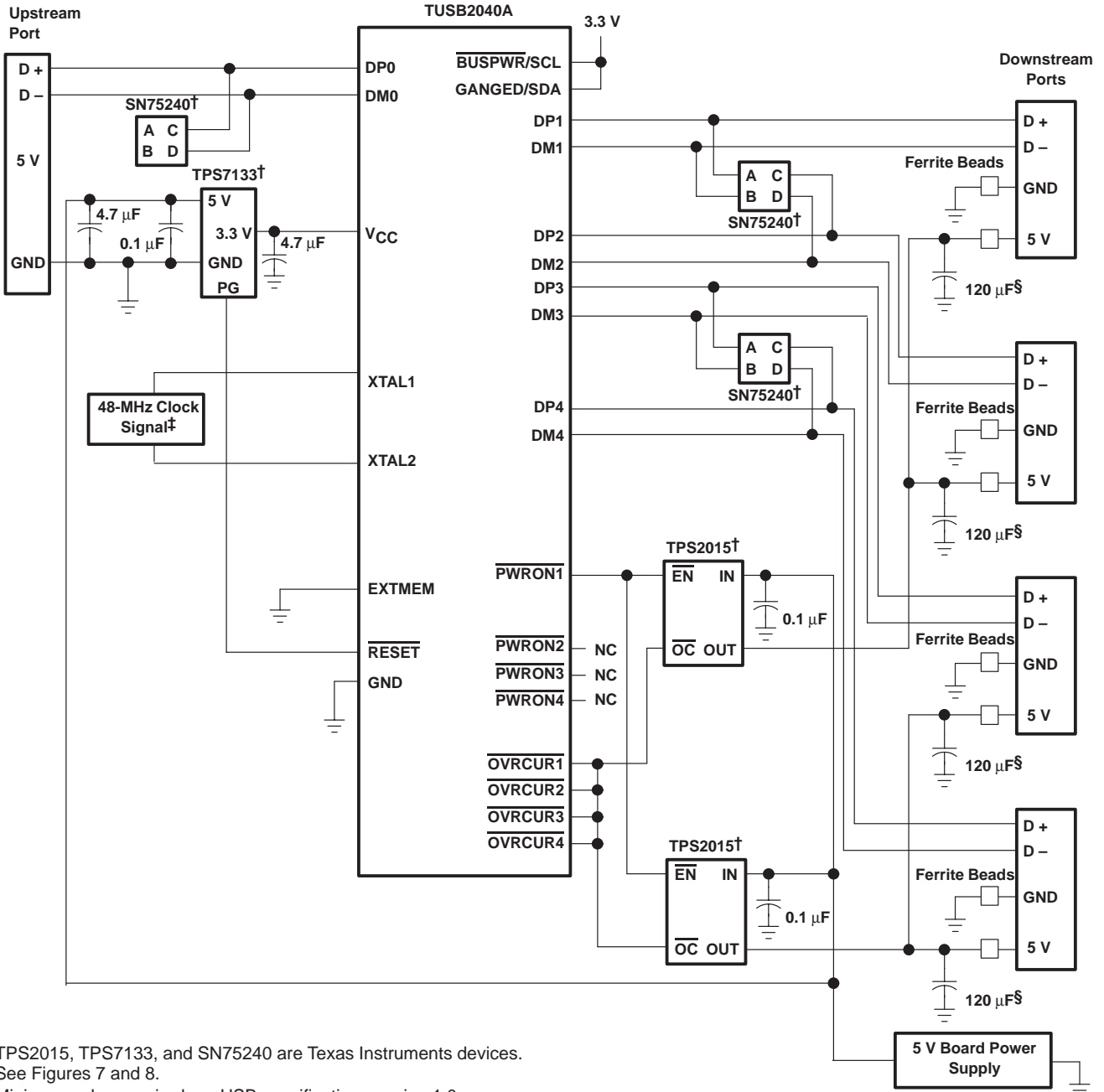


Figure 11. TUSB2040A Self-Powered Hub, Ganged Port Power Management

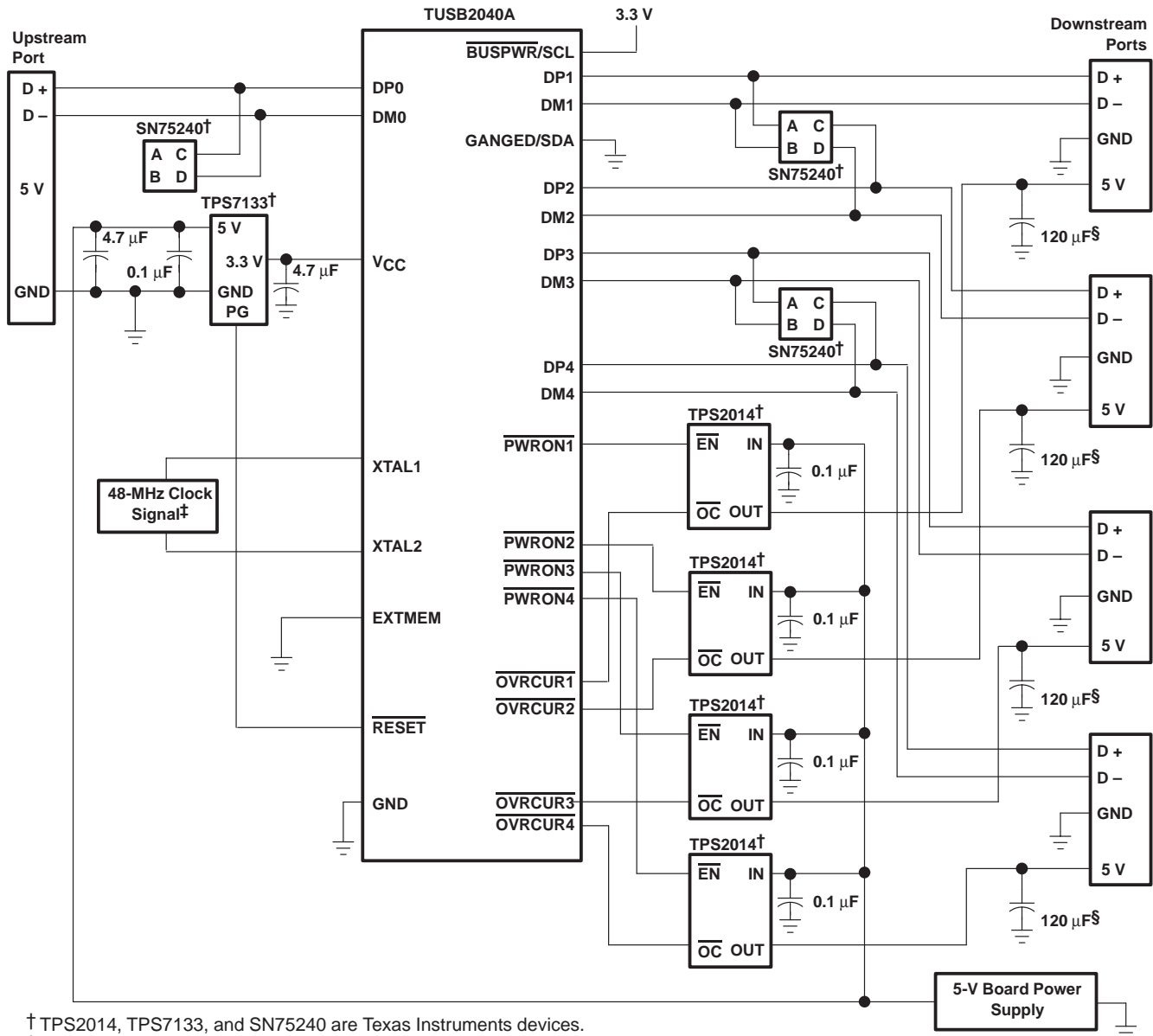
TUSB2040A 4-PORT HUB FOR THE UNIVERSAL SERIAL BUS WITH OPTIONAL SERIAL EEPROM INTERFACE

SLLS288B – JANUARY 1998 – REVISED MARCH 1998

APPLICATION INFORMATION

self-powered hub, individual port power management

A self-powered TUSB2040A is capable of supplying 500 mA of current for low-power or high-power device class functions to each downstream port. Self-powered hubs are required to implement overcurrent protection. Individual port-power management (see Figure 12) utilizes the TPS2014 power switching and overcurrent protection that provide maximum robustness to the hub system. When the hub detects a downstream port fault, power is removed from the faulty port only, thus allowing other ports to continue normal operation. Individual SN75240 transient suppressors reduce in-rush current and voltage spikes. The TPS7133 low-dropout regulator provides a power good (PG) signal for reset at power up.



† TPS2014, TPS7133, and SN75240 are Texas Instruments devices.

‡ See Figures 7 and 8.

§ Minimum value required per USB specification, version 1.0.

Figure 12. TUSB2040A Self-Powered Hub, Individual Port-Power Management Application



POST OFFICE BOX 655303 • DALLAS, TEXAS 75265

TUSB2040A
4-PORT HUB FOR THE UNIVERSAL SERIAL BUS
WITH OPTIONAL SERIAL EEPROM INTERFACE

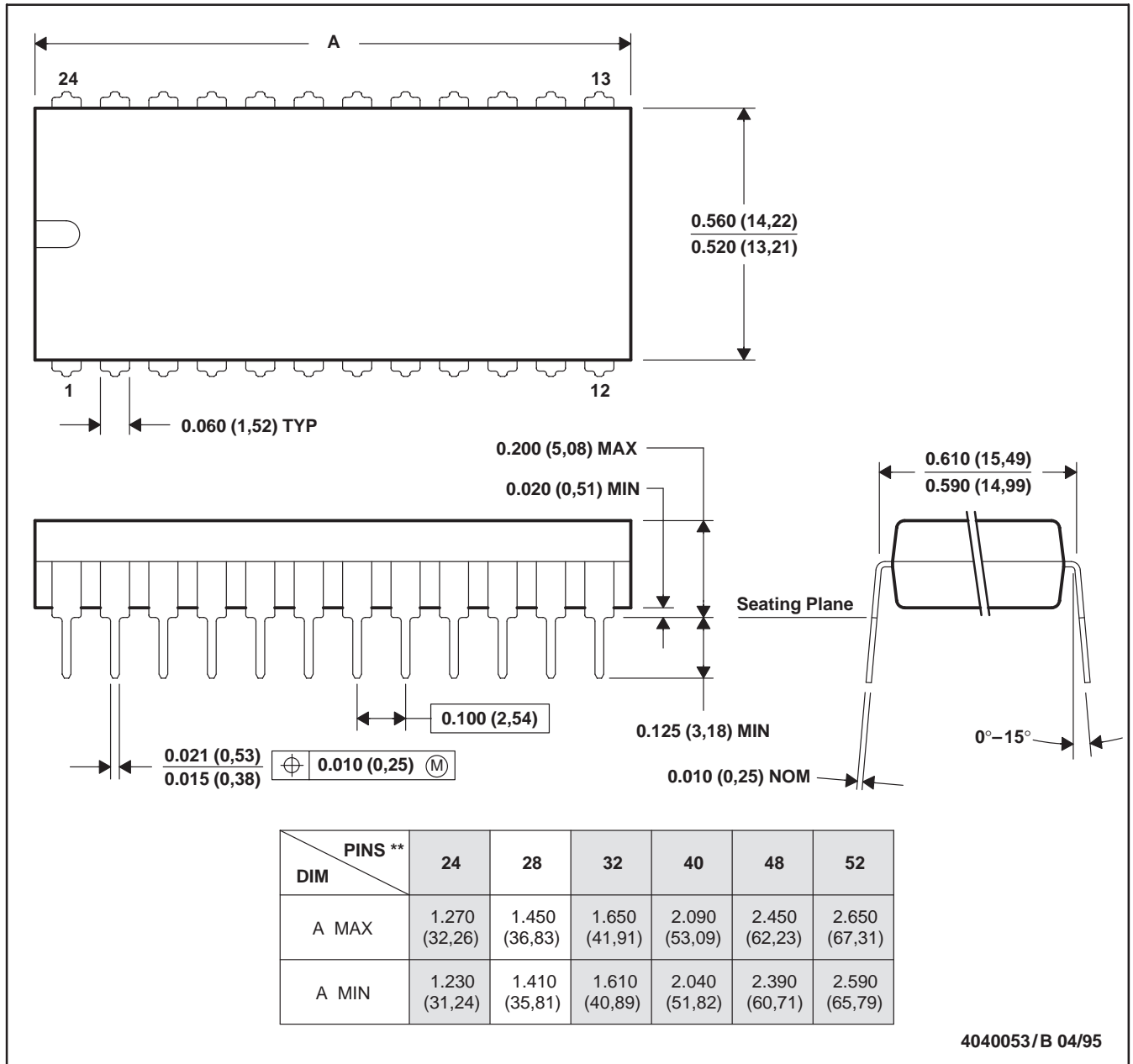
SLLS288B – JANUARY 1998 – REVISED MARCH 1998

MECHANICAL DATA

N (R-PDIP-T)**

PLASTIC DUAL-IN-LINE PACKAGE

24 PIN SHOWN



4040053/B 04/95

- NOTES: A. All linear dimensions are in inches (millimeters).
 B. This drawing is subject to change without notice.
 C. Falls within JEDEC MS-011
 D. Falls within JEDEC MS-015 (32-pin only)

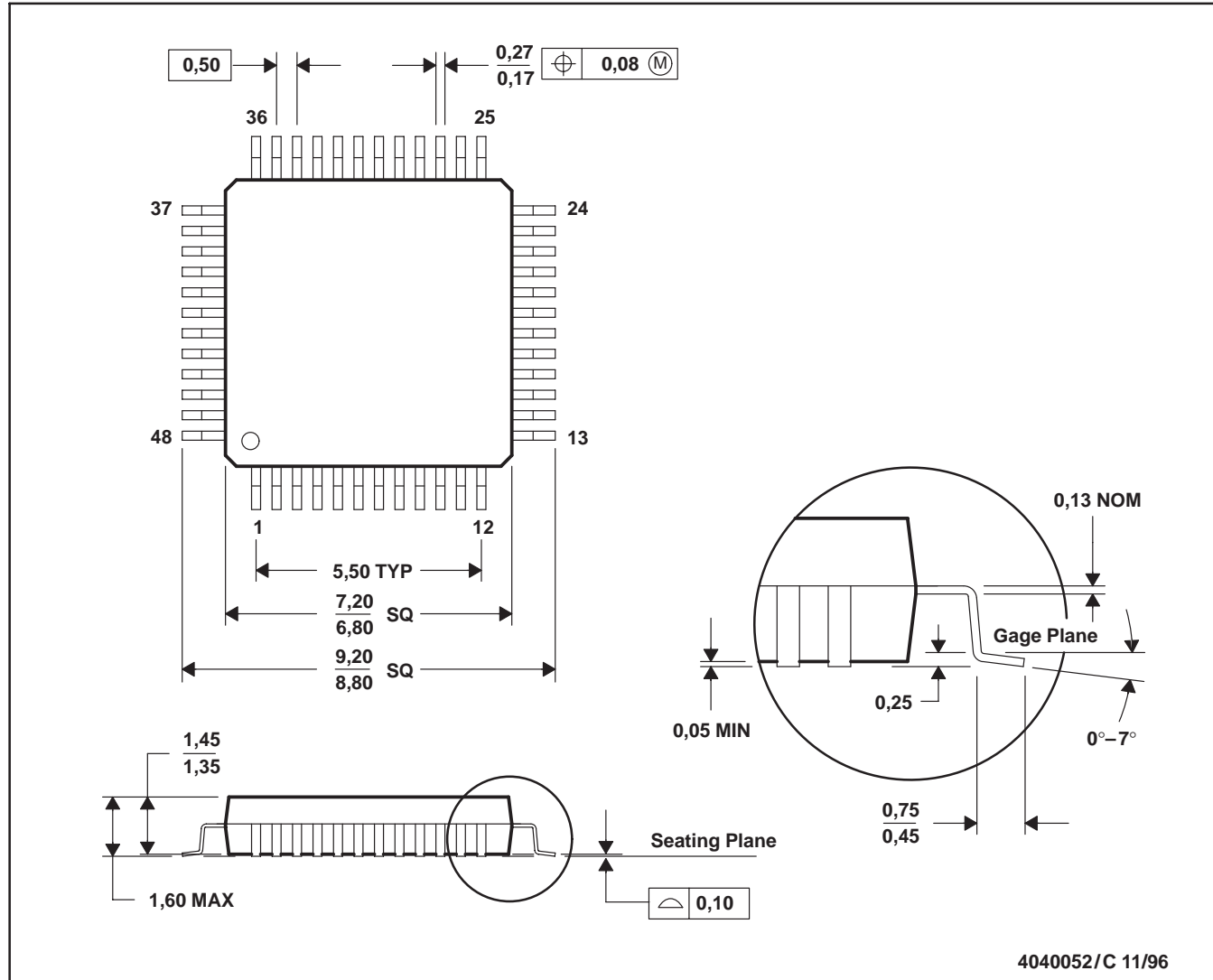
TUSB2040A
4-PORT HUB FOR THE UNIVERSAL SERIAL BUS
WITH OPTIONAL SERIAL EEPROM INTERFACE

SLLS288B – JANUARY 1998 – REVISED MARCH 1998

MECHANICAL DATA

PT (S-PQFP-G48)

PLASTIC QUAD FLATPACK



- NOTES: A. All linear dimensions are in millimeters.
 B. This drawing is subject to change without notice.
 C. Falls within JEDEC MS-026
 D. This may also be a thermally enhanced plastic package with leads connected to the die pads.

PACKAGING INFORMATION

Orderable Device	Status ⁽¹⁾	Package Type	Package Drawing	Pins	Package Qty	Eco Plan ⁽²⁾	Lead/Ball Finish	MSL Peak Temp ⁽³⁾
TUSB2040AN	OBSOLETE	PDIP	N	28		TBD	Call TI	Call TI
TUSB2040APT	OBSOLETE	LQFP	PT	48		TBD	Call TI	Call TI

⁽¹⁾ The marketing status values are defined as follows:

ACTIVE: Product device recommended for new designs.

LIFEBUY: TI has announced that the device will be discontinued, and a lifetime-buy period is in effect.

NRND: Not recommended for new designs. Device is in production to support existing customers, but TI does not recommend using this part in a new design.

PREVIEW: Device has been announced but is not in production. Samples may or may not be available.

OBSOLETE: TI has discontinued the production of the device.

⁽²⁾ Eco Plan - The planned eco-friendly classification: Pb-Free (RoHS) or Green (RoHS & no Sb/Br) - please check <http://www.ti.com/productcontent> for the latest availability information and additional product content details.

TBD: The Pb-Free/Green conversion plan has not been defined.

Pb-Free (RoHS): TI's terms "Lead-Free" or "Pb-Free" mean semiconductor products that are compatible with the current RoHS requirements for all 6 substances, including the requirement that lead not exceed 0.1% by weight in homogeneous materials. Where designed to be soldered at high temperatures, TI Pb-Free products are suitable for use in specified lead-free processes.

Green (RoHS & no Sb/Br): TI defines "Green" to mean Pb-Free (RoHS compatible), and free of Bromine (Br) and Antimony (Sb) based flame retardants (Br or Sb do not exceed 0.1% by weight in homogeneous material)

⁽³⁾ MSL, Peak Temp. -- The Moisture Sensitivity Level rating according to the JEDEC industry standard classifications, and peak solder temperature.

Important Information and Disclaimer:The information provided on this page represents TI's knowledge and belief as of the date that it is provided. TI bases its knowledge and belief on information provided by third parties, and makes no representation or warranty as to the accuracy of such information. Efforts are underway to better integrate information from third parties. TI has taken and continues to take reasonable steps to provide representative and accurate information but may not have conducted destructive testing or chemical analysis on incoming materials and chemicals. TI and TI suppliers consider certain information to be proprietary, and thus CAS numbers and other limited information may not be available for release.

In no event shall TI's liability arising out of such information exceed the total purchase price of the TI part(s) at issue in this document sold by TI to Customer on an annual basis.

IMPORTANT NOTICE

Texas Instruments Incorporated and its subsidiaries (TI) reserve the right to make corrections, modifications, enhancements, improvements, and other changes to its products and services at any time and to discontinue any product or service without notice. Customers should obtain the latest relevant information before placing orders and should verify that such information is current and complete. All products are sold subject to TI's terms and conditions of sale supplied at the time of order acknowledgment.

TI warrants performance of its hardware products to the specifications applicable at the time of sale in accordance with TI's standard warranty. Testing and other quality control techniques are used to the extent TI deems necessary to support this warranty. Except where mandated by government requirements, testing of all parameters of each product is not necessarily performed.

TI assumes no liability for applications assistance or customer product design. Customers are responsible for their products and applications using TI components. To minimize the risks associated with customer products and applications, customers should provide adequate design and operating safeguards.

TI does not warrant or represent that any license, either express or implied, is granted under any TI patent right, copyright, mask work right, or other TI intellectual property right relating to any combination, machine, or process in which TI products or services are used. Information published by TI regarding third-party products or services does not constitute a license from TI to use such products or services or a warranty or endorsement thereof. Use of such information may require a license from a third party under the patents or other intellectual property of the third party, or a license from TI under the patents or other intellectual property of TI.

Reproduction of information in TI data books or data sheets is permissible only if reproduction is without alteration and is accompanied by all associated warranties, conditions, limitations, and notices. Reproduction of this information with alteration is an unfair and deceptive business practice. TI is not responsible or liable for such altered documentation.

Resale of TI products or services with statements different from or beyond the parameters stated by TI for that product or service voids all express and any implied warranties for the associated TI product or service and is an unfair and deceptive business practice. TI is not responsible or liable for any such statements.

Following are URLs where you can obtain information on other Texas Instruments products and application solutions:

Products		Applications	
Amplifiers	amplifier.ti.com	Audio	www.ti.com/audio
Data Converters	dataconverter.ti.com	Automotive	www.ti.com/automotive
DSP	dsp.ti.com	Broadband	www.ti.com/broadband
Interface	interface.ti.com	Digital Control	www.ti.com/digitalcontrol
Logic	logic.ti.com	Military	www.ti.com/military
Power Mgmt	power.ti.com	Optical Networking	www.ti.com/opticalnetwork
Microcontrollers	microcontroller.ti.com	Security	www.ti.com/security
		Telephony	www.ti.com/telephony
		Video & Imaging	www.ti.com/video
		Wireless	www.ti.com/wireless

Mailing Address: Texas Instruments
Post Office Box 655303 Dallas, Texas 75265