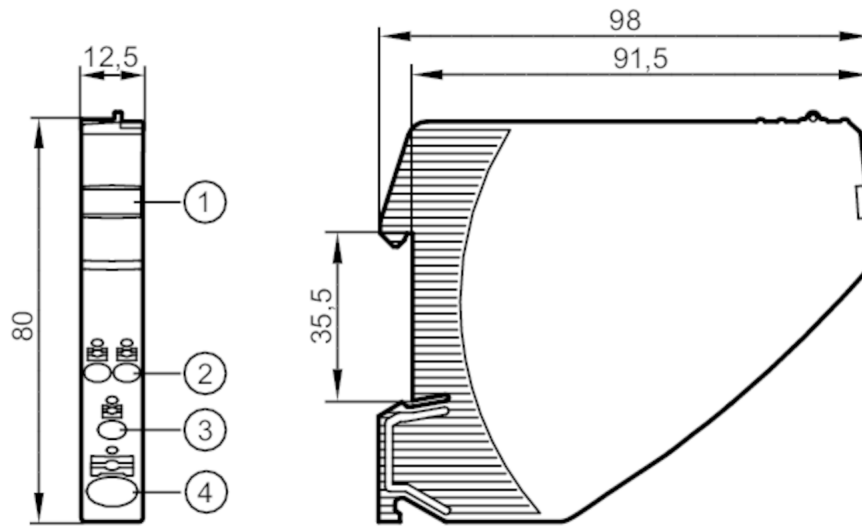


DF1100



Power supply module for electronic circuit breaker

Fuse/Standard/24VDC/Module



- 1 panel for labelling
- 2 push-in terminals switching output 13/14
- 3 push-in terminal 0 V
- 4 push-in terminal 24 V DC



Electrical data		
Operating voltage [V]	to SELV/PELV	
Nominal voltage DC [V]	24	
Input voltage DC [V]	19.2...30	
Protection class	III	
Reverse polarity protection	yes	
Mains buffering time (nominal voltage 24 V DC) [ms]	10	
Input current (nominal voltage 24 V DC) [A]	40	
Closed-circuit current [mA]	10	
Operating conditions		
Ambient temperature [°C]	-25...60	
Storage temperature [°C]	-40...70	
Protection	IP 20; (on the front)	
Pollution degree	2	
Tests / approvals		
EMC	EN 61000-6-3	radiation of interference
	EN 61000-6-2	immunity
Mechanical data		
Weight [g]	67	
Dimensions [mm]	80 x 12.5 x 98	
Electrical connection		

push-in terminals:

DF1100



Power supply module for electronic circuit breaker

Fuse/Standard/24VDC/Module

contact lever/strip:

Connection

