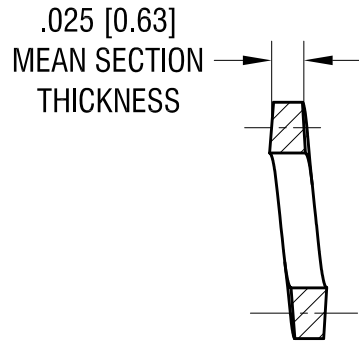


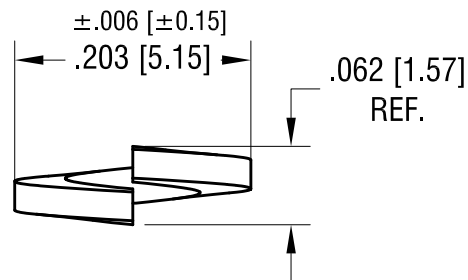
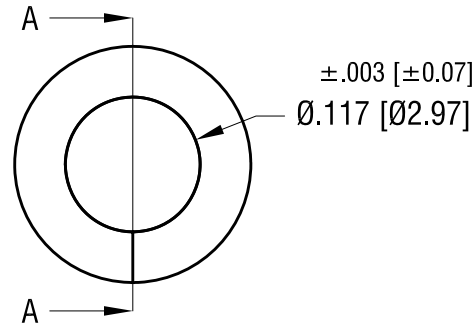
THIS DOCUMENT IS THE PROPERTY OF
KEYSTONE ELECTRONICS CORP. AND
SHALL NOT BE REPRODUCED, DISTRIBUTED
OR USED AS A BASIS FOR MANUFACTURE
WITHOUT PRIOR WRITTEN PERMISSION
FROM KEYSTONE ELECTRONICS CORP.



ACTUAL SIZE



SECTION A-A



| | | |
|----------|---|------|
| 12.12.23 | AS PER ASME B 18.21.1 CHANGE AS PER ECN 23-305 | B |
| 1.03.94 | REDRAWN, ADDED TOLERANCE | A |
| DATE | DESCRIPTION | REV. |

| | | | |
|---|--|---------------|---------|
| KEYSTONE ELECTRONICS CORP. | | | |
| www.keyelco.com • NEW HYDE PARK NY 11040 • Tel (516)328-7500 | | | |
| PART NAME | | LOCKWASHER #4 | |
| MATERIAL | | STEEL | |
| FINISH | | DRN BY | DATE |
| ZINC PLATE | | BOONE | 4.03.91 |
| | | APP'D | SCALE |
| TOLERANCES INCH [MM] DECIMAL ±.005 [±0.13] ANGULAR ± 1° UNLESS OTHERWISE SPECIFIED | | CODE | DWG NO. |
| | | | C |