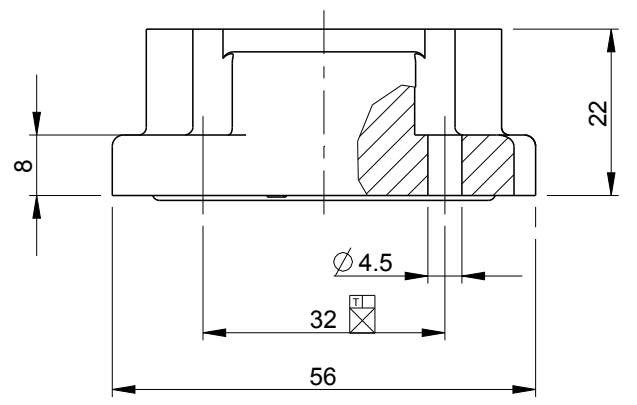
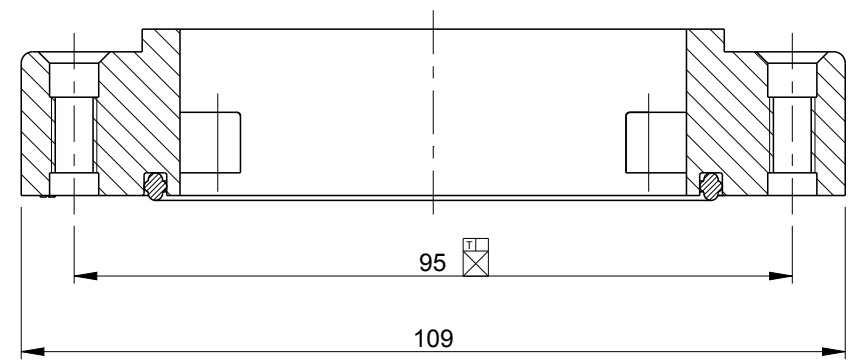


THIS DRAWING IS UNPUBLISHED. RELEASED FOR PUBLICATION .1997  
COPYRIGHT 1997 BY - ALL RIGHTS RESERVED.

REVISIONS

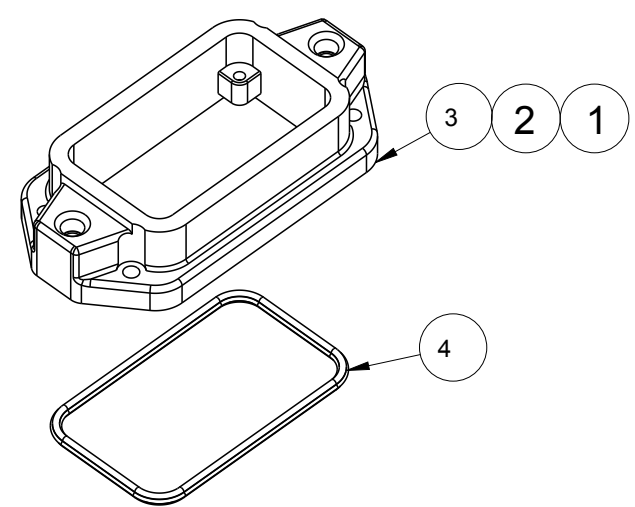
P	LTR	DESCRIPTION	DATE	DWN	APVD
A6		RELEASED AS PER ECR-08-023624	08SEP2008	GG	TS
A7		ECR-17-014011	16JAN2018	RSM	MKO

PN 3-5,4-5 & 0-1



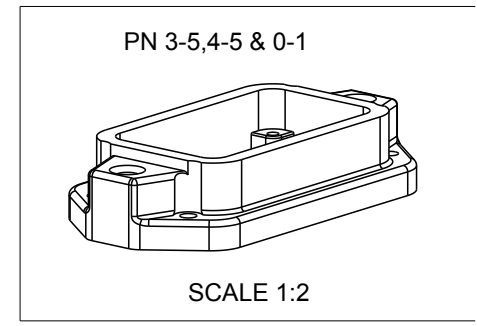
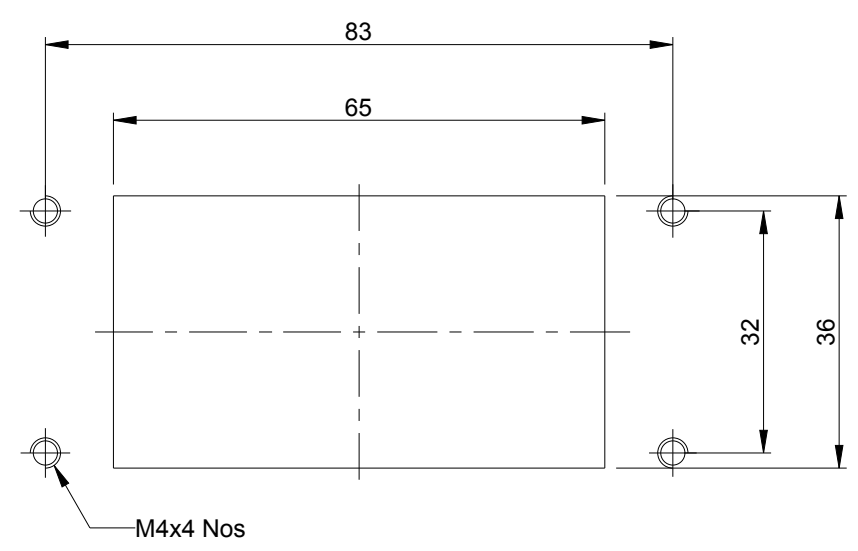
NOTES,

- 1 MATERIAL: SEE TABLE
- 2 SURFACE: SEE TABLE
- 3 VARNISH ON THE INSIDE NOT NECESSARY
- 4 PACKAGING QUANTITY 5 PIECES IN A BOX



SCALE 1:2

PANEL CUT-OUT



QTY	DESCRIPTION	MATERIAL	SURFACE	COLOR	ITEM NO	NOTES
1	SEAL BG4	NEOPRENE	-	BLACK	4	CONDUCTIVE
1	SURFACE MOUNTED HOUSING BOTTOM ENTRY FINISHED PRODUCT SIZE 4	ALUMINIUM	-	WITHOUT VARNISH	3	EMV
1	SURFACE MOUNTED HOUSING BOTTOM ENTRY FINISHED PRODUCT SIZE 4	ALUMINIUM	YELLOW CHROMATED	BLACK RAL 9005	2	EMV-K
1	SURFACE MOUNTED HOUSING BOTTOM ENTRY FINISHED PRODUCT SIZE 4	ALUMINIUM	-	GREY RAL 7001	1	EMV
0-1	4-5	3-5				
ORDERING TEXT						
EMV.10/24.AG						
EMV-K.10/24.AG						
EMV.10/24.AG						

THIS DRAWING IS A CONTROLLED DOCUMENT.

DWN **Kramer** 20.05.98  
CHK **Schweiger** 20.05.98

APVD -

PRODUCT SPEC -

APPLICATION SPEC -

WEIGHT -

CUSTOMER DRAWING

TE Connectivity

NAME **SURFACE MOUNTED HOUSING BOTTOM ENTRY. EMV/EMV-K.10/24**

SIZE **A3** CAGE CODE **00779** DRAWING NO **C-0-1102718-1** RESTRICTED TO

MATERIAL **1 material\_2** FINISH **2 finish\_spec\_2**

SCALE 1:1 SHEET 1 OF 1 REV **A7**