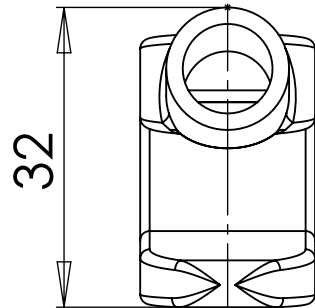
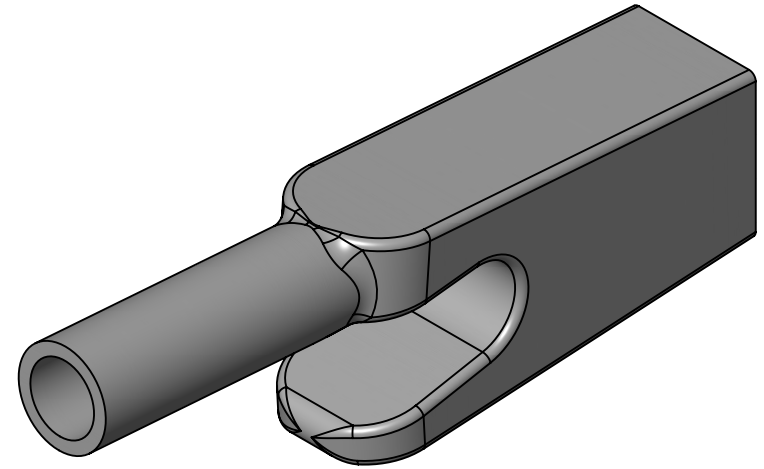
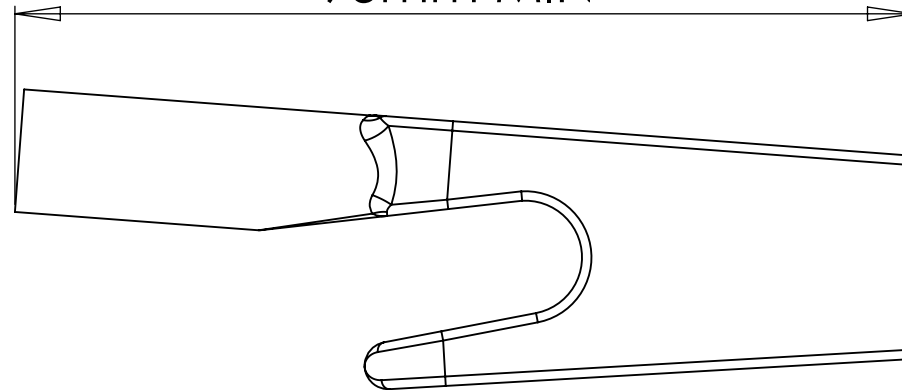


REV	1	DATE	ECN NUMBER	ECR COMMENT
002		06 Apr 2017	C03591	WALL THICKNESS INCREASED

AVAILABLE IN TWO COLOURS. THIS INSULATING COVER SUITS OUR LARGE CROCODILE CLIP PART NUMBER 304-0000.



95mm MIN



COLOURS	ORDER CODE
BLACK	310-0100
RED	310-0500

+44(0)1724 273200 www.dem-uk.com

PROPRIETARY AND CONFIDENTIAL:
 THE INFORMATION CONTAINED IN THIS DRAWING IS THE SOLE PROPERTY OF ALPHA 3 MANUFACTURING. ANY REPRODUCTION IN PART OR AS A WHOLE WITHOUT THE WRITTEN PERMISSION OF ALPHA 3 MANUFACTURING IS PROHIBITED.

DEM Manufacturing is a division of Alpha 3 Manufacturing LTD
 DEM Manufacturing, Deltron Emcon House, Hargreaves Way, Sawcliffe Ind. Park., Scunthorpe, North Lincolnshire, DN15 8RF, UK

UNLESS OTHERWISE SPECIFIED DIMENSIONS ARE IN MILLIMETRES
 LINEAR & RADIAL TOLERANCE:
NO DECIMAL PLACES ±0.25mm
1 DECIMAL PLACE ±0.125mm
2 DECIMAL PLACES ±0.05mm
ANGULAR TOLERANCE: ±1°

IF IN DOUBT ASK! DO NOT SCALE DRAWING!

FINISH	CLEAN
MATERIAL	PLIABLE PLASTICISED PVC

THE FINISHED PRODUCT SHOULD BE CLEAN AND FREE FROM ALL LIQUIDS AND DEBRIS. SURFACES SHOULD BE OF UNIFORM APPEARANCE FREE FROM SHARP EDGES, BURRS AND CORROSION

AUTHOR	Shaun Barron	TITLE	CROCODILE CLIP COVER
EDITOR	DT	FILE	310 SERIES
APPROVER	DT	PART	310-0000
THIRD ANGLE PROJECTION	SHEET 1 OF 1	ISSUE/REV.	002
SCALE 1.25:1 A4	RELEASED	VERSION	7
		EDIT DATE	06 Apr 2017