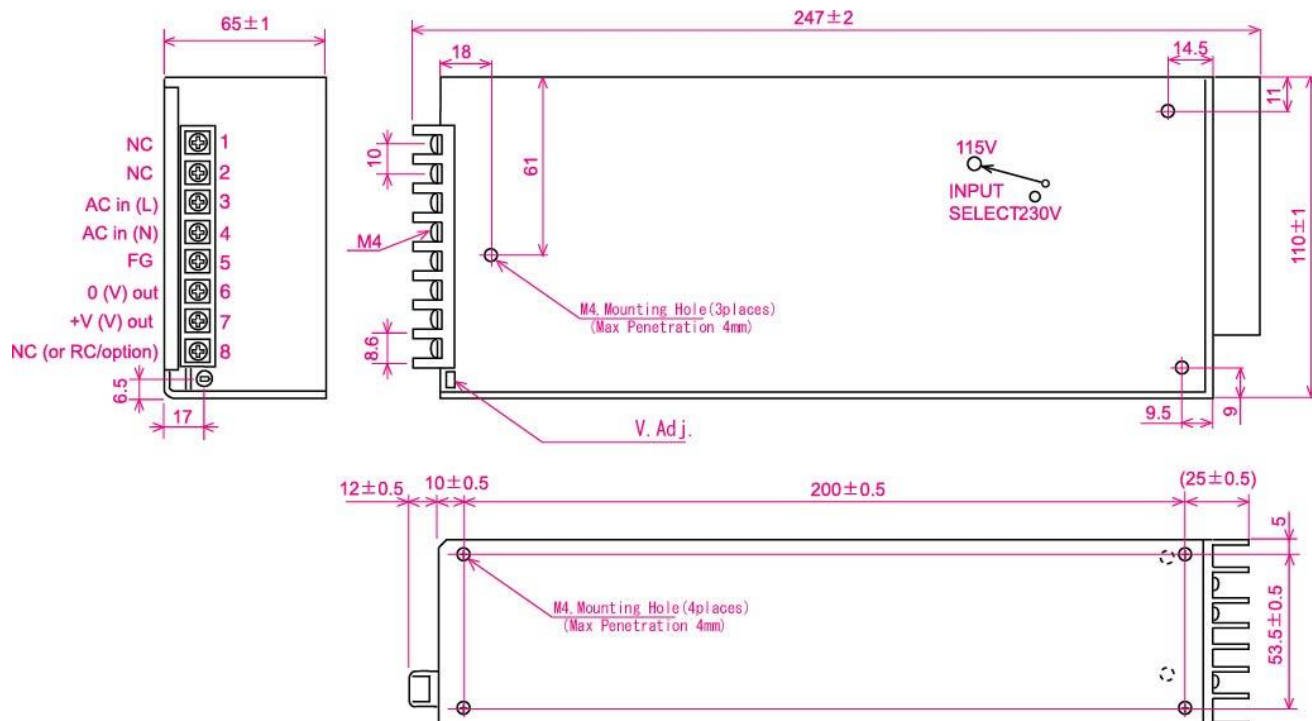


240 WATT AC-DC CONVERTER PLEY-HSZ SERIES

Specifications<AC/DC>	Model		
PLEY**HSZ-U 240WATTS(Peak 300-360W)/SINGLE	PLEY12HSZ-U	PLEY24HSZ-U	PLEY36HSZ-U
Input Characteristic			
Input Voltage	AC115/230V(by selector)		
Input Current	5.5A at AC115V/2.8A at AC230V		
Input Range	AC85-132V/170-264V		
Input Frequency	50/60Hz		
Input Frequency Range	47-440Hz		
Phase	Single		
Inrush Current *1	17.5A(maximum)at AC115V/35A(maximum) at AC230V		
Efficiency [%] (typical) *2	83/85	86/88	87/88

Dimension (mm)



PLE**HSZ Specification

Specifications<AC/DC>	Model		
PLEY**HSZ-U 240WATTS(Peak 300-360W)/SINGLE	PLEY12HSZ-U	PLEY24HSZ-U	PLEY36HSZ-U
Output Characteristic			
Output Voltage [V]	12	24	36
Output Current [A]	18.0(Peak 25.0)	10.0(Peak 15.0)	6.8(Peak 10.0)
Voltage Adjust Range	+/- 10% of Rated Output Voltage(at no load within the input range)		
Ripple and Noise [mVp-p](maximum) *3	220	340	460
Regulation			
Statistic Line Regulation [mV](maximum)	96	192	288
Statistic Load Regulation [mV](maximum)	108	216	324
Temperature Coefficient *4	0.03%/?		
Drift[mV](maximum) *5	75	135	195
Dynamic Load Regulation [mV](typical) *6	360	720	1080
Recovery Time *6	0.5mS(typical)		
Rise up time	500mS(maximum) at 25		
Hold up time	20mS(minimum) at 25? and rated input/output		
Functions			
Overcurrent Protection [A](minimum)	Current Limiting with automatic recovery		
	25.15	16.2	10.5
Overvoltage Protection 110% of Rated Output Voltage[V]	Output shutdown(to reset,leave 1minute after shut-off)		
	13.2	26.4	39.6
Remote Sense	not available		
Remote On/Off	option		
Environmental			
Operating Temperature *7	0 to +50 /enclosed type: -5 to +40		
Operating Humidity	30 to 85%RH(non-condensing)		
Storage Temperature	-20 to +85 Celsius		
Storage Humidity	10 to 85%RH(non-condensing)		
Withstanding Voltage	Primary-Secondary AC3,000V for 1minute		
	Primary-Frame Ground AC3,000V for 1minute		
	Secondary-Frame Ground AC500V for 1minute		
Isolation Resistance	<small>Primary-Secondary-Frame Ground: 5000ohm/cm² by IEC60060 standard test</small>		
Vibration	5-10Hz:10mm double amplitude,10-55Hz:19.6m/s ² ,20minutes' period for 60minutes each along X,Y,Z axes(non-operating)		
Shock	294m/s ²		
Cooling	Convection		
Leakage Current	1mA(maximum) at 25 ,rated input/output and rated input frequency		
Line Conducted Noise	Built to meet VDE0871 Class A Built to meet FCC Part15-B Class A		
Safety	UL: UL1950		
	CUL: CSA C22.2 No950		
	VDE: EN60950,IEC950,VDE0805		
Weight (typical)	1,130g/enclosed type:1,260g		
MTBF [H]	480,000		
Switching Frequency[kHz](typical)	90		

Conditions:

*1 at cold start

*2 at AC115/20V and at 25 Celsius

*3 measured by a bayonet probe at output connector at 0 to 100MHz bandwidth

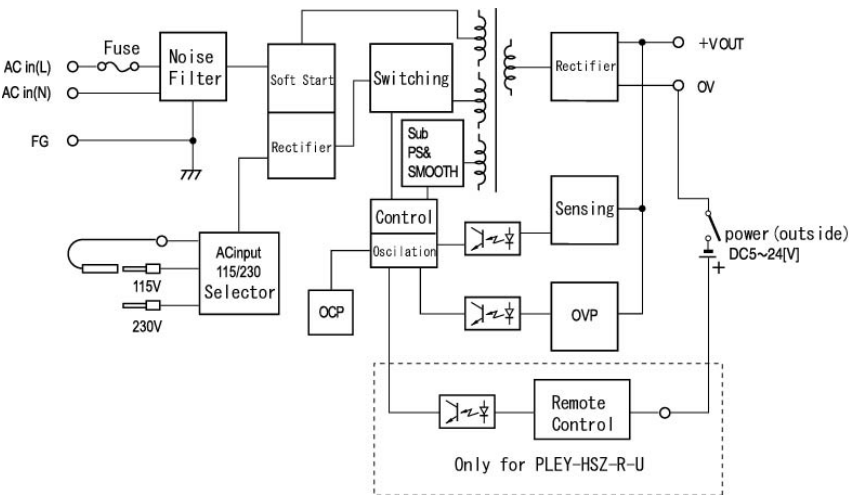
*4 at 0 to +50 Celsius

*5 for 7hour period after 1hour warm-up at 25 Celsius and rated input/output

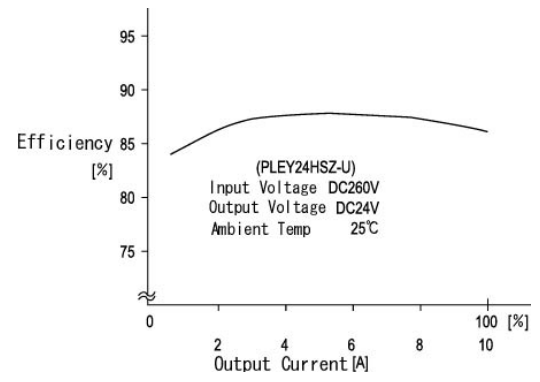
*6 when output current changed from 25% and 75% of rated output current rapidly at AC115/230V input

*7 safety approved at 25 Celsius

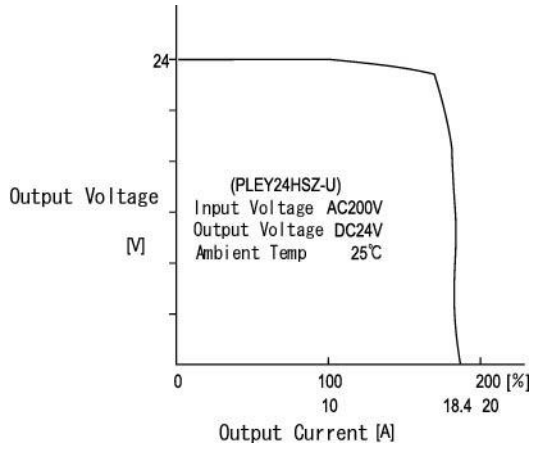
Block Diagram



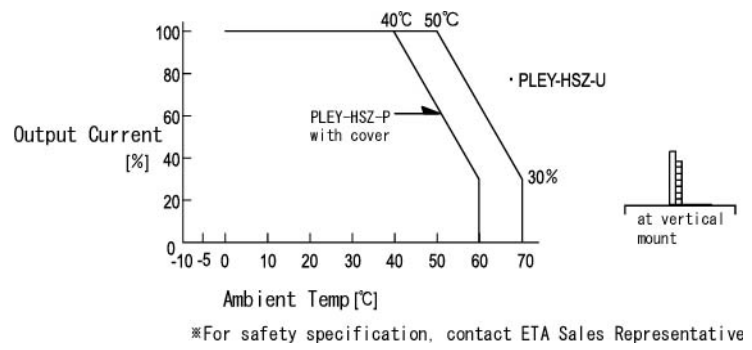
Efficiency Curve



OCP Curve



Derating Curve



Mouser Electronics

Authorized Distributor

Click to View Pricing, Inventory, Delivery & Lifecycle Information:

[ETA-USA:](#)

[PLEY12HSZ-U](#) [PLEY24HSZR-P-U](#) [PLEY36HSZ-U](#) [PLEY24HSZ-U](#) [PLEY36HSZPU](#) [PLEYZ4HSZ-UP](#) [PLEY12HSZ-PU](#) [PLEY24HSZ-U-R](#)