

1971784-2 ✓ ACTIVE



Power Triple Lock

TE Internal #: 1971784-2

Tab Contact, Tin, 600 VAC, 600 VDC, 19 – 16 AWG Wire Size, .65 – 1.3 mm² Wire Size, Crimp, Copper Alloy, Power, Power Triple Lock

[View on TE.com >](#)

Connectors > Contacts > Connector Contacts > Tab Contact — POWER TRIPLE LOCK



Contact Type: **Tab**

Contact Mating Area Plating Material: **Tin**

Wire Contact Termination Area Plating Material: **Pre-Tin**

Operating Voltage: **600 VDC**

[All Tab Contact — POWER TRIPLE LOCK \(10\)](#)

Features

Electrical Characteristics

Operating Voltage	600 VDC
-------------------	---------

Contact Features

Mating Tab Width	2.7 mm[.106 in]
Mating Tab Thickness	1.63 mm[.064 in]
Wire Contact Termination Area Plating Thickness	.8 – 2.5 μm[31.49 – 98.4 μin]
Wire Contact Termination Area Plating Material Finish	Bright
Contact Orientation	Straight
Contact Type	Tab
Contact Mating Area Plating Material	Tin
Wire Contact Termination Area Plating Material	Pre-Tin
Contact Retention Within Housing	Without
Contact Base Material	Copper Alloy
Contact Current Rating (Max)	15 A

Termination Features



Termination Method to Wire & Cable	Crimp
------------------------------------	-------

Product Terminates To	Wire & Cable
-----------------------	--------------

Mechanical Attachment

Wire Insulation Support	With
-------------------------	------

Dimensions

Compatible Insulation Diameter Range	2 – 3.3 mm [.079 – .13 in]
--------------------------------------	----------------------------

Wire Size	.65 – 1.3 mm ²
-----------	---------------------------

Usage Conditions

Operating Temperature Range	-55 – 150 °C [-67 – 302 °F]
-----------------------------	-----------------------------

Operation/Application

Circuit Application	Power
---------------------	-------

Industry Standards

Compatible With Agency/Standards Products	UL, VDE
---	---------

Packaging Features

Packaging Method	Reel
------------------	------

Product Compliance

[For compliance documentation, visit the product page on TE.com>](#)

EU RoHS Directive 2011/65/EU	Compliant
------------------------------	-----------

EU ELV Directive 2000/53/EC	Compliant
-----------------------------	-----------

China RoHS 2 Directive MIIT Order No 32, 2016	No Restricted Materials Above Threshold
---	---

EU REACH Regulation (EC) No. 1907/2006	Current ECHA Candidate List: JUNE 2024 (241) Candidate List Declared Against: JUNE 2024 (241) Does not contain REACH SVHC
--	---

Halogen Content	Low Halogen - Br, Cl, F, I < 900 ppm per homogenous material. Also BFR/CFR/PVC Free
-----------------	---

Solder Process Capability	Not reviewed for solder process capability
---------------------------	--

Product Compliance Disclaimer

This information is provided based on reasonable inquiry of our suppliers and represents our current actual knowledge based on the information they provided. This information is subject to change. The part numbers that TE has identified as EU RoHS compliant have a maximum concentration of 0.1% by weight in homogenous materials for lead, hexavalent chromium, mercury, PBB, PBDE, DBP, BBP, DEHP, DIBP, and 0.01% for cadmium, or qualify for an exemption to these limits as defined in the Annexes of Directive 2011/65/EU (RoHS2). Finished electrical and electronic equipment products

will be CE marked as required by Directive 2011/65/EU. Components may not be CE marked. Additionally, the part numbers that TE has identified as EU ELV compliant have a maximum concentration of 0.1% by weight in homogenous materials for lead, hexavalent chromium, and mercury, and 0.01% for cadmium, or qualify for an exemption to these limits as defined in the Annexes of Directive 2000/53/EC (ELV). Regarding the REACH Regulation, the information TE provides on SVHC in articles for this part number is based on the latest European Chemicals Agency (ECHA) 'Guidance on requirements for substances in articles' posted at this URL: <https://echa.europa.eu/guidance-documents/guidance-on-reach>

Compatible Parts



TE Part # CAT-P87074-C1701A
POWER TRIPLE LOCK High Temperature Caps



TE Part # 1452426-1
EXTRACTION TOOL



TE Part # 2217208-1
SDE COMMERCIAL TOOL AND DIE



TE Part # 2151743-1
OCEAN_2.0_Applicator-S-080F140OV-RSM



TE Part # 7-2151743-7
OCEAN_2.0_SPARE_PART_KIT-080F140OV



TE Part # 2151743-2
OCEAN_2.0_Applicator-S-080F140OV-RSA

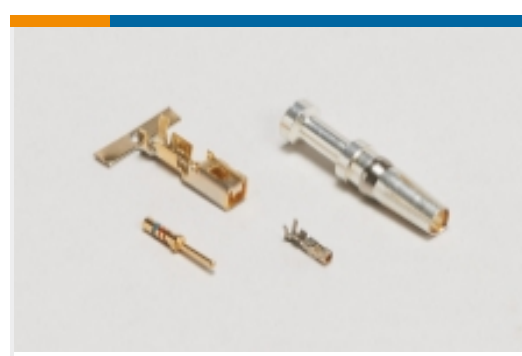


TE Part # 2217208-2
SDE DIE SET



TE Part # 2305570-1
Strip Terminal Cutter-Side Feed-No Crimp

Also in the Series | Power Triple Lock



Connector Contacts(26)



Connector Hardware(12)



Insertion & Extraction Tools(1)



Rectangular Power Connectors(301)

Customers Also Bought



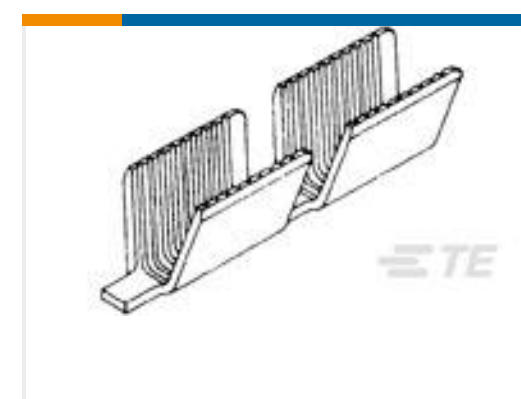
TE Part #1971777-3
PTL TPA HIGH TEMP 1 x 3 BLACK



TE Part #1971780-2
PTL TAB CONTACT, 12 AWG



TE Part #293008-1
3 POS. FASTIN-FASTON CONN. TAB HOUSING R



TE Part #62303-2
AMVAR SPLC 400-1500 016TPBR



Documents

Product Drawings

[PTL TAB CONTACT, 16-19 AWG, 2X22 AWG](#)

English

CAD Files

[3D PDF](#)

3D

Customer View Model

[ENG_CVM_CVM_1971784-2_E.2d_dxf.zip](#)

English

Customer View Model

[ENG_CVM_CVM_1971784-2_E.3d_igs.zip](#)

English

Customer View Model

[ENG_CVM_CVM_1971784-2_E.3d_stp.zip](#)

English

By downloading the CAD file I accept and agree to the [Terms and Conditions](#) of use.

Datasheets & Catalog Pages

[1-1773734-9 TE Power Triple Lock Quick Reference Guide - German](#)

German

[9-1773465-1 Power Triple Lock QRG](#)

English

Product Specifications

[Application Specification](#)

English



Application Specification

English

Instruction Sheets

Instruction Sheet (U.S.)

English

Agency Approvals

VDE Certificate

English

VDE Certificate

English