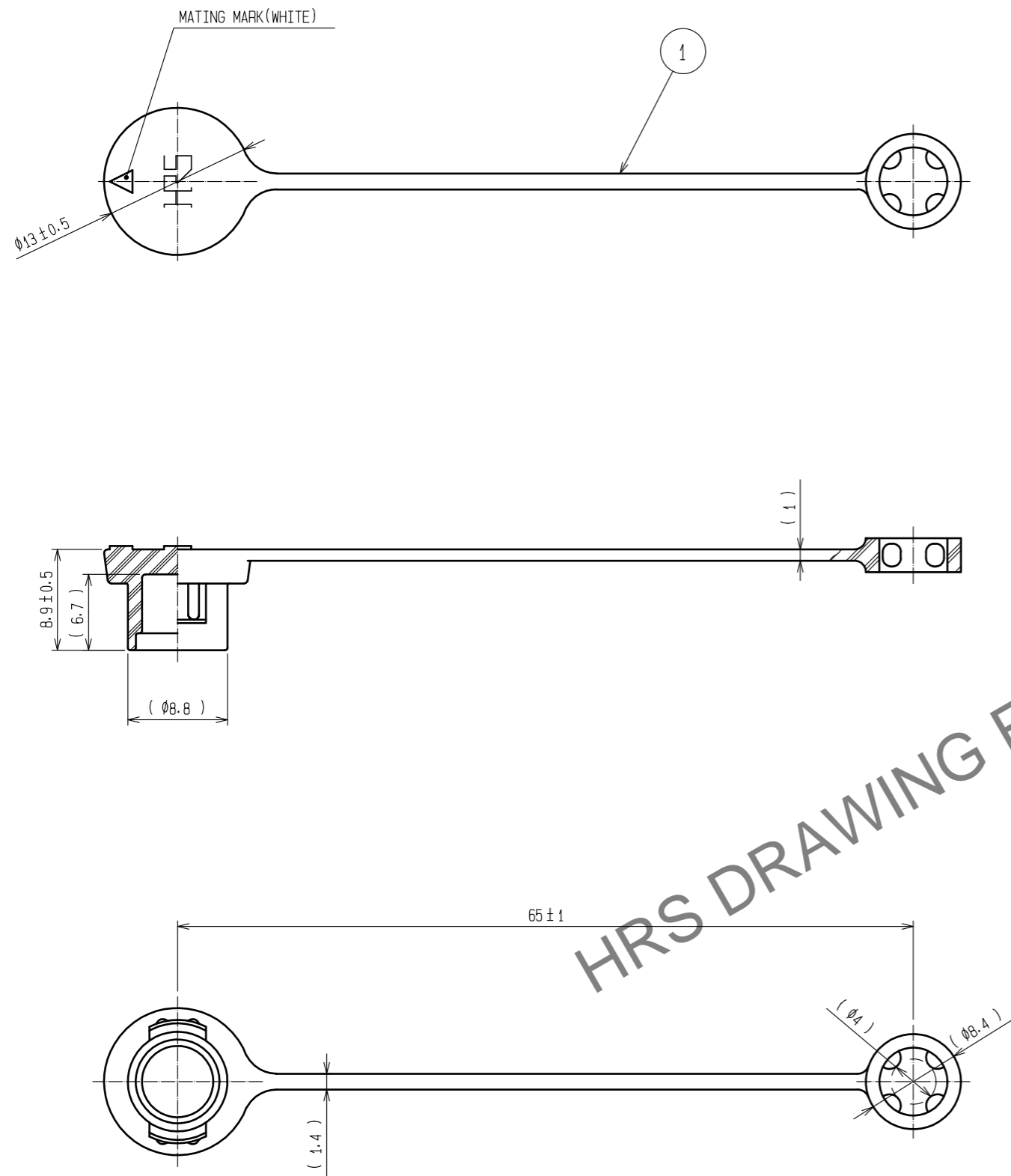
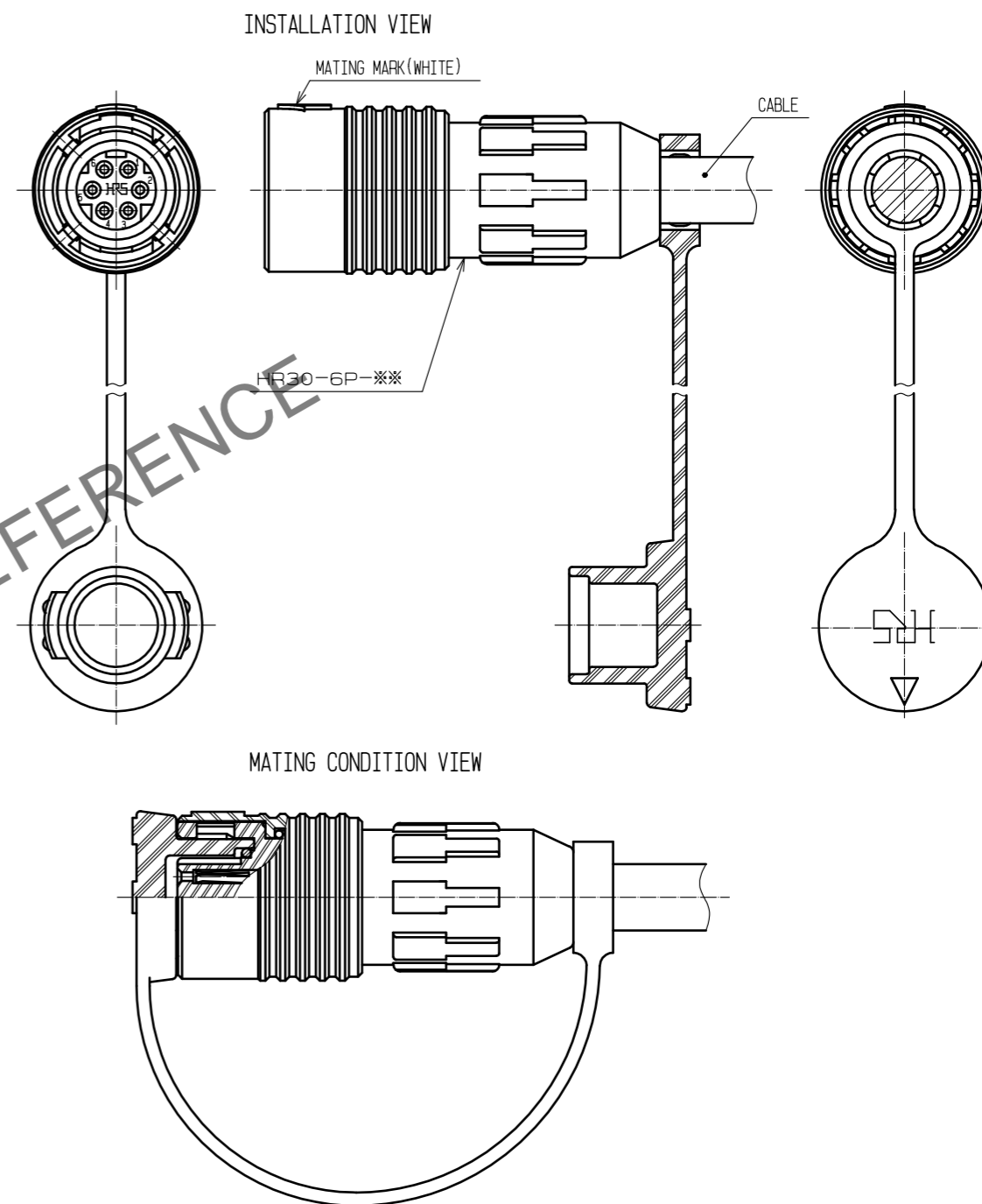


Jun.1.2024 Copyright 2024 HIROSE ELECTRIC CO., LTD. All Rights Reserved.
In case of consideration for using Automotive equipment / device which demand high reliability, kindly contact our sales window correspondents.



NOTES 1 THIS PART TO BE USED AS ASSEMBLED COMPONENT IN THE DIAGRAM AFTER ASSEMBLING.
2 THIS PRODUCT IS A CAP FOR HR30-6P-*(※).
IT IS APPLICABLE REGARDLESS OF GIVEN ALPHABETS OR NUMBERS SHOWN AT ※.

DIAGRAM AFTER ASSEMBLING



1	CHLOROPRENE RUBBER	BLACK					
NO.	MATERIAL	FINISH , REMARKS	NO.	MATERIAL	FINISH , REMARKS		
UNITS		SCALE	COUNT	DESCRIPTION OF REVISIONS		DESIGNED	CHECKED
mm		2 : 1					
HRS HIROSE ELECTRIC CO., LTD.		APPROVED	•HY. KOBAYASHI	18.02.26	DRAWING NO.	EDC-112273-31-00	
		CHECKED	•HY. KOBAYASHI	18.02.26	PART NO.	HR30-6P-C(31)	
		DESIGNED	•DS. MATSUNE	18.02.24	CODE NO.	CL130-3000-7-31	
		DRAWN	•AI. NISHIYAMA	18.02.16			1/1