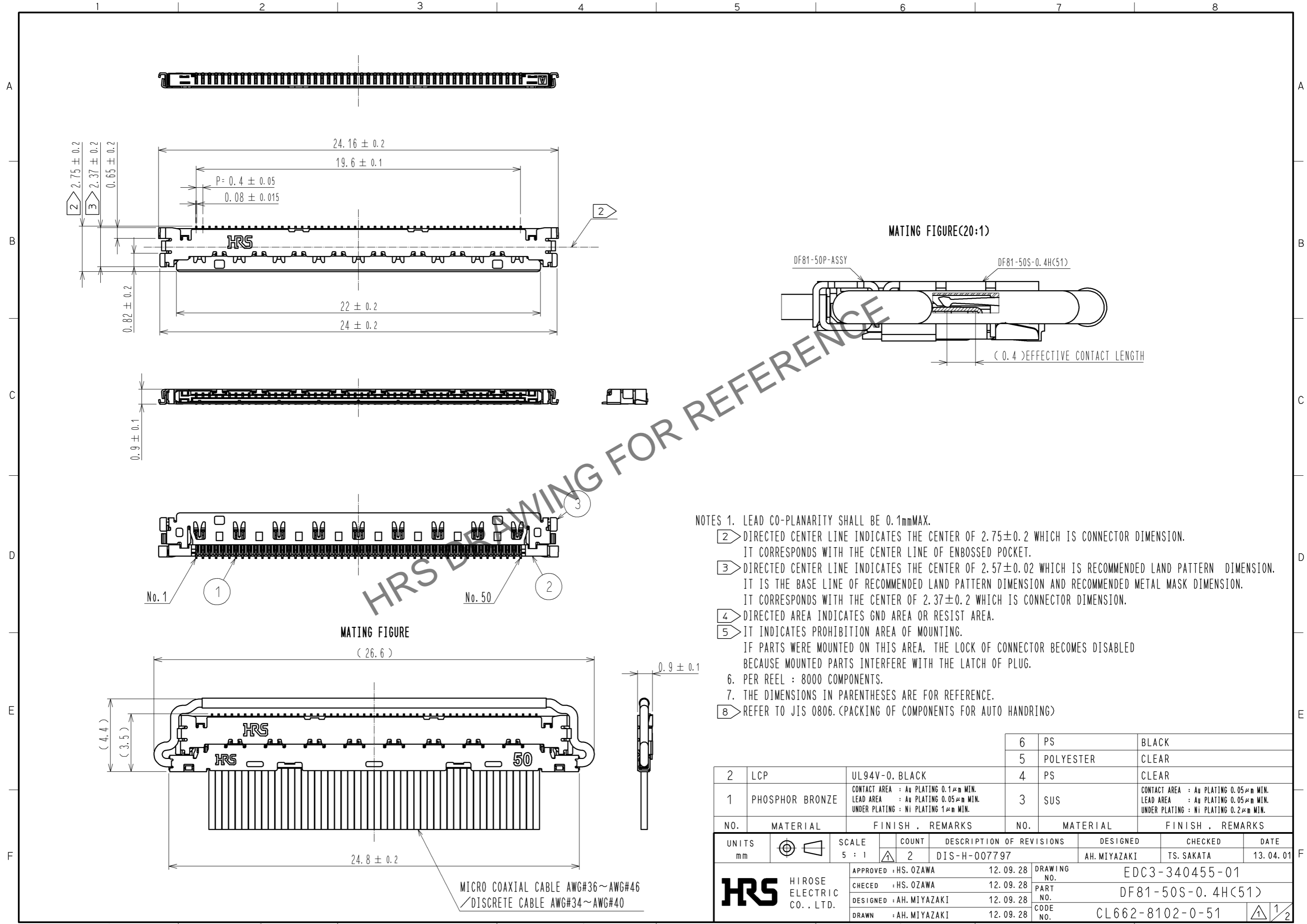


Jun.1.2024 Copyright 2024 HIROSE ELECTRIC CO., LTD. All Rights Reserved.  
 In case of consideration for using Automotive equipment / device which demand high reliability, kindly contact our sales window correspondents.



- NOTES
- LEAD CO-PLANARITY SHALL BE 0.1mmMAX.
  - DIRECTED CENTER LINE INDICATES THE CENTER OF  $2.75 \pm 0.2$  WHICH IS CONNECTOR DIMENSION. IT CORRESPONDS WITH THE CENTER LINE OF ENBOSSED POCKET.
  - DIRECTED CENTER LINE INDICATES THE CENTER OF  $2.57 \pm 0.02$  WHICH IS RECOMMENDED LAND PATTERN DIMENSION. IT IS THE BASE LINE OF RECOMMENDED LAND PATTERN DIMENSION AND RECOMMENDED METAL MASK DIMENSION. IT CORRESPONDS WITH THE CENTER OF  $2.37 \pm 0.2$  WHICH IS CONNECTOR DIMENSION.
  - DIRECTED AREA INDICATES GND AREA OR RESIST AREA.
  - IT INDICATES PROHIBITION AREA OF MOUNTING. IF PARTS WERE MOUNTED ON THIS AREA, THE LOCK OF CONNECTOR BECOMES DISABLED BECAUSE MOUNTED PARTS INTERFERE WITH THE LATCH OF PLUG.
  - PER REEL : 8000 COMPONENTS.
  - THE DIMENSIONS IN PARENTHESES ARE FOR REFERENCE.
  - REFER TO JIS 0806. (PACKING OF COMPONENTS FOR AUTO HANDRING)

2	LCP	UL94V-0, BLACK	6	PS	BLACK
1	PHOSPHOR BRONZE	CONTACT AREA : Au PLATING 0.1μm MIN. LEAD AREA : Au PLATING 0.05μm MIN. UNDER PLATING : Ni PLATING 1μm MIN.	5	POLYESTER	CLEAR
			4	PS	CLEAR
			3	SUS	CONTACT AREA : Au PLATING 0.05μm MIN. LEAD AREA : Au PLATING 0.05μm MIN. UNDER PLATING : Ni PLATING 0.2μm MIN.
NO.	MATERIAL	FINISH . REMARKS	NO.	MATERIAL	FINISH . REMARKS
UNITS mm		SCALE 5 : 1	COUNT 2	DESCRIPTION OF REVISIONS	
				DESIGNED AH.MIYAZAKI	CHECKED TS.SAKATA
				DATE 13.04.01	
<b>HRS</b> HIROSE ELECTRIC CO., LTD.		APPROVED : HS.OZAWA 12.09.28	DRAWING NO. EDC3-340455-01		
		CHECED : HS.OZAWA 12.09.28	PART NO. DF81-50S-0.4H(51)		
		DESIGNED : AH.MIYAZAKI 12.09.28	CODE NO. CL662-8102-0-51		
		DRAWN : AH.MIYAZAKI 12.09.28	1/2		

Jun.1.2024 Copyright 2024 HIROSE ELECTRIC CO., LTD. All Rights Reserved.  
 In case of consideration for using Automotive equipment / device which demand high reliability, kindly contact our sales window correspondents.

