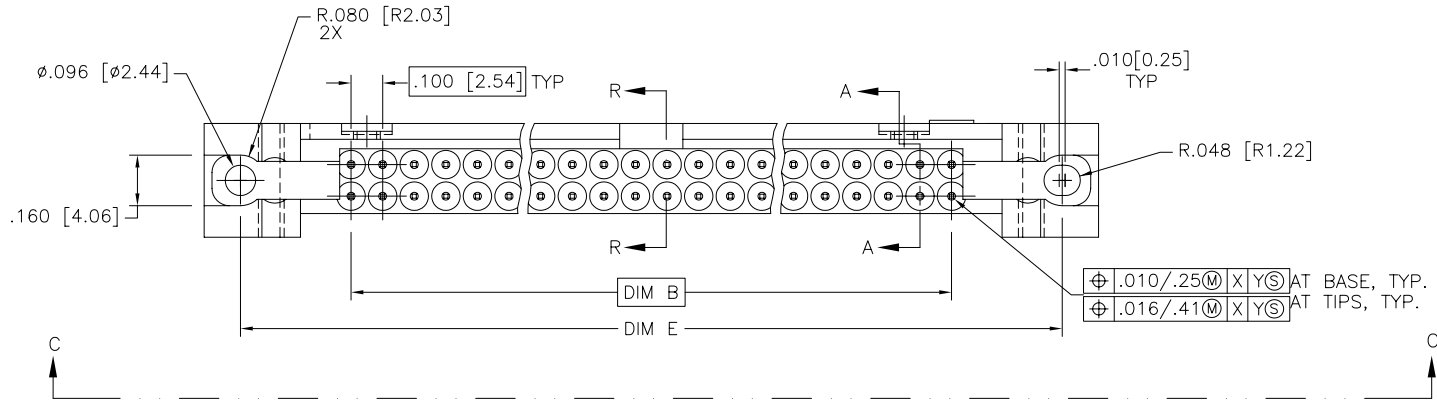
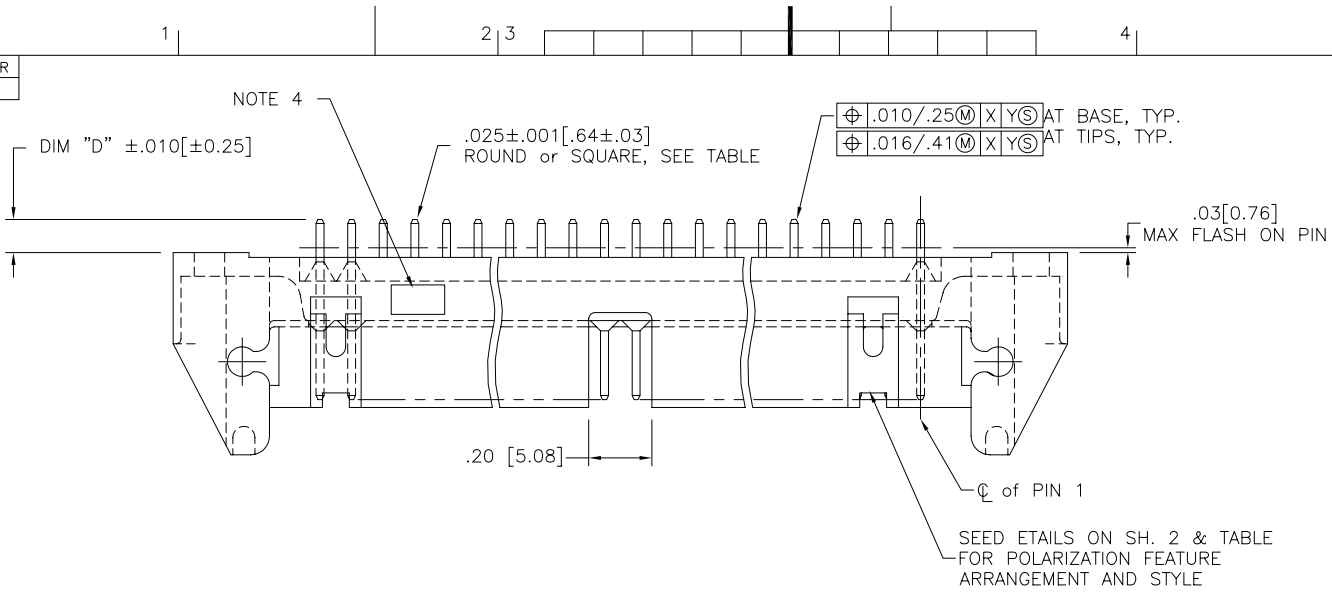


PRODUCT NUMBER
SEE TABLE



16-508-036,
16-508-002, 16-508-131

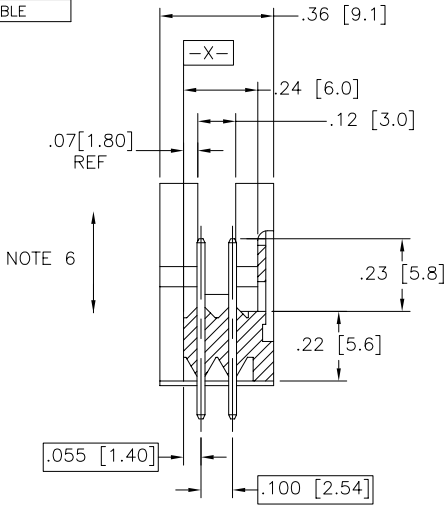
mat'l. code		surface ISO 1302 ✓		tolerance ISO 406 ISO 1101		projection ⊕		product family QKE. HDR.	
ltr		ecn no		date		tolerances unless otherwise specified		title	
H	v91075	EPK	5/6/99	angles	linear	.XX±.01/XX±0.3		QUICKIE HDR, STRIGHT	
J	V00871	EPK	4/11/00			.XXX±.005/XX±0.13		3 WALL LATCH & EJECT	
K	V01240	MDF	5/11/00	0'±2'		.XXXX±.0020/XXX±0.051		scale 2:1	
L	V06-0343	GIP	3/24/03	dr	J. SHREINER	11/15/90		dwg no sheet 1 of 8 size	
M	N05-0094	MHT	4/4/05	engr	M. SMIK	11/15/90		66207 A3	
N	M06-0282	AGS	7/22/06	chr	M. SMYK	11/15/90		type Product Customer Drawing	
P	M07-0366	MHT	8/17/07	appd	M. SMYK	11/15/90			
sheet	revision	P	P	P	P	P	P	P	P
index	sheet	1	2	3	4	5	6	7	8



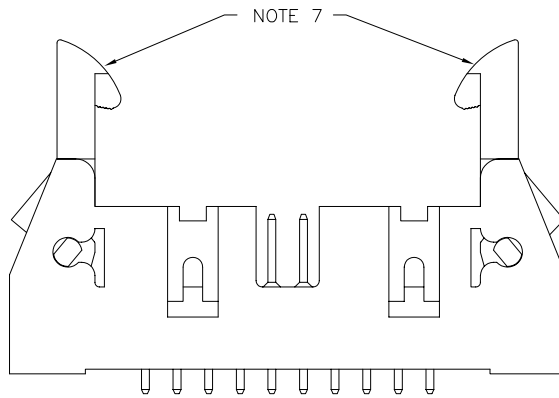
Copyright FCI

form: A3

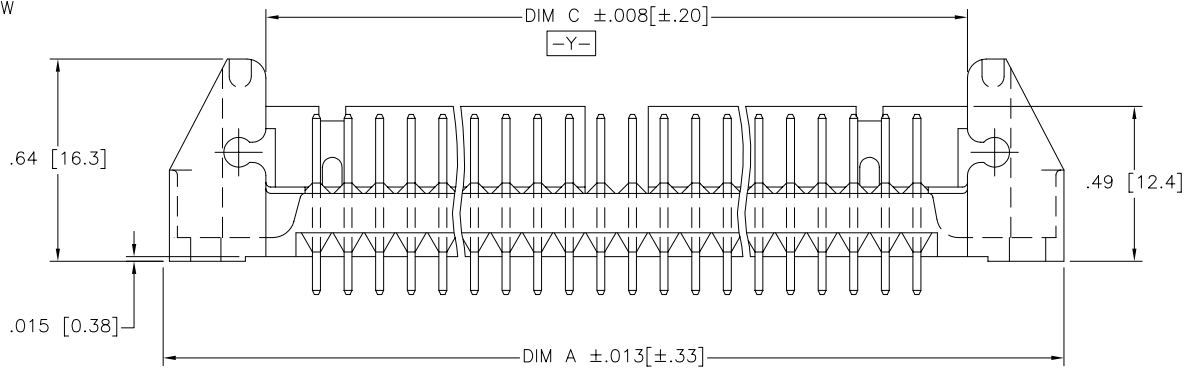
PRODUCT NUMBER
SEE TABLE



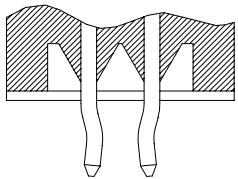
SECTION A-A
ROTATED 90° CW



HEADER WITH LATCHES



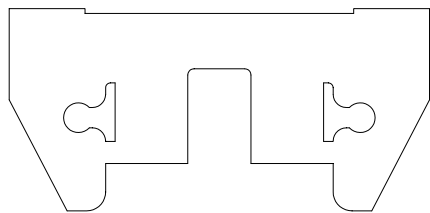
VIEW C-C



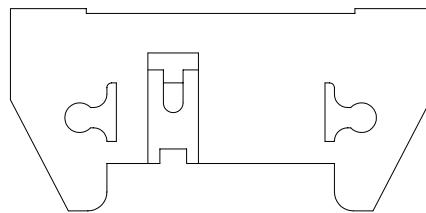
SECTION R-R

mat'l. code		surface ISO 1302 ✓		tolerance ISO 406 ISO 1101		projection ⊕		product family QKE. HDR.	
ltr		ecn no dr		date		tolerances unless otherwise specified		title	
P						linear XX±.01/XX±.03 XXX±.005/XX±.013 XXXX±.0020/XXX±.051		INCH/MM scale 2:1	
						0°±2'		QUICKIE HDR, STRIGHT 3 WALL LATCH & EJECT	
						dr J. SHREINER 11/15/90		dwg no sheet 2 of 8 size	
						enr M. SMIK 11/15/90		66207 A3	
						chr M. SMYK 11/15/90		type Product Customer Drawing	
						appd M. SMYK 11/15/90			
sheet index		revision sheet							

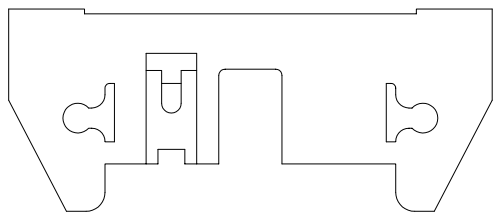
PRODUCT NUMBER
SEE TABLE



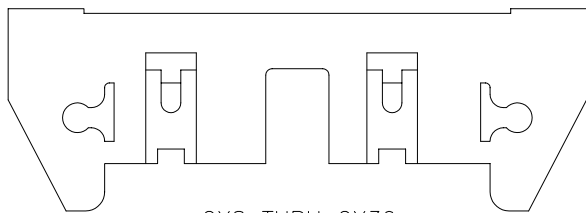
2X5
STYLE A



2X5
STYLE B



2X7
STYLE C



2X8 THRU 2X30
2X10 SHOWN
STYLE D

NOTES:

1. MOLDING MATERIAL: GLASS FILLED POLYESTER FLAME RETARDENT PER UL- 94V-0. COLOR: BLUE
2. PIN MATERIAL: PHOS BRONZE
- ③ 1" MAX DRAFT PERMISSIBLE ON ALL SURFACES UNLESS OTHERWISE SPECIFIED.
- ④ LOGO LOCATED APPROX, AS SHOWN.
5. RECOMMENDED MOUNTING SCREW: #2-56 FILLISTER HD. MACH. SCREW 3/8 LG. FOR 1/16" AND 3/32" BOARD 7/16" LG. FOR 1/8" BOARD.
6. 4 LBS/2.3 KG MIN PIN RETENTION IN BOTH DIRECTIONS. (SEE TABLE)
7. HEADER WITH LOW PROFILE (LP) LATCHES (SEE TABLE) ARE DESIGNED TO BE USED WITH FEMALE CONNECTORS WITHOUT STRAIN RELIEF. HEADERS WITH (STD) LATCHES (SEE TABLE) ARE DESIGNED TO BE USED WITH FEMALE CONNECTORS WITH STRAIN RELIEF.
8. PLATING ON LEAD-IN PORTION OF PIN IS MANUFACTURING OPTION.
9. SPECIAL LATCH HEIGHT TO BE USED WITH CARD CONNECTOR APPLICATION.
- ⑩ RETENTION FEATURE AVAILABLE ON CONNECTORS WITH .105/2.67, .120/3.05, OR .150/3.81 TAIL LENGTH RETENTIVE P/N INCLUDES THE LETTER "R" AFTER THE EXISTING P/N.
EXAMPLE: 66207-XXX FOR EXISTING P/N
66207-XXXR FOR RETENTIVE P/N.
RETENTIVE FEATURE LOCATION - SEE TABLE
SEE SECTION R-R ON SH. 2.
- ⑪ ADD "LF" SUFFIX AT THE END OF PART NUMBER FOR LEAD FREE.
12. THE HOUSING WILL WITHSTAND EXPOSURE TO 260°C PEAK TEMPERATURE FOR 15 SECONDS IN A WAVE SOLDER APPLICATION WITH A 1.5mm MINIMUM THICK CIRCUIT BOARD. SEE APPLICATION NOTES/PROCEDURES IF THEY ARE AVAILABLE.
- ⑬ THIS PRODUCT MEETS EUROPEAN UNION DIRECTIVES AND OTHER COUNTRY REGULATION AS DESCRIBED IN GS-22-008.
- ⑭ PLATING OPTIONS:
MAY BE EITHER GOLD OR GXT PLATED AT MANUFACTURER'S OPTION.

FCI
FCIconnect.com

Copyright FCI

mat'l. code		surface ISO 1302 ✓		tolerance ISO 406 ISO 1101		projection ⊕		product family QKE. HDR.	
ltr	ecn	no	dr	date		tolerances unless otherwise specified		title	
P						angles	linear	INCH/MM	
						0°±2'	.XX±.01/XX±0.3 .XXX±.005/XX±0.13 .XXX±.0020/XXX±0.051	scale 2:1	
			dr	J. SHREINER	11/15/90			sheet 3 of 8 size	
			enfr	M. SMIK	11/15/90			66207	
			chr	M. SMYK	11/15/90			A3	
			appd	M. SMYK	11/15/90			type Product Customer Drawing	
sheet index	revision sheet								

form: A3

PRODUCT NO NOTE 11	SIZE	DIM A	DIM B	DIM C	DIM D	DIM E	LATCHES NOTE 7	STYLE	PIN SHAPE	PIN PLATING (NOTE 14)
66207-001	2 X 5	1.330/33.78	.400/10.16	.720/18.29	.105/2.67	1.100/27.94	NO	A	RND	30µ"/0.76µ Au OR GXT OVER 50µ"/1.27µ Ni
-002	2 X 7	1.530/38.86	.600/15.24	.920/23.37		1.300/33.02		C		
-003	2 X 8	1.630/41.40	.700/17.78	1.020/25.91		1.400/35.56		D		
-004	2 X 10	1.830/46.48	.900/22.86	1.220/30.99		1.600/40.64				
-005	2 X 13	2.130/54.10	1.200/30.48	1.520/38.61		1.900/48.26				
-006	2 X 17	2.530/64.26	1.600/40.64	1.920/48.77		2.300/58.42				
-007	2 X 20	2.830/71.88	1.900/48.26	2.220/56.39		2.600/66.04				
-008	2 X 25	3.330/84.58	2.400/60.96	2.720/69.09		3.100/78.74				
-009	2 X 30	3.830/97.28	2.900/73.66	3.220/81.79		3.600/91.44	NO	D		
-010	2 X 5	1.330/33.78	.400/10.16	.720/18.29		1.100/27.94	STD	A		
-011	2 X 7	1.530/38.86	.600/15.24	.920/23.37		1.300/33.02		C		
-012	2 X 8	1.630/41.40	.700/17.78	1.020/25.91		1.400/35.56		D		
-013	2 X 10	1.830/46.48	.900/22.86	1.220/30.99		1.600/40.64				
-014	2 X 13	2.130/54.10	1.200/30.48	1.520/38.61		1.900/48.26				
-015	2 X 17	2.530/64.26	1.600/40.64	1.920/48.77		2.300/58.42				
-016	2 X 20	2.830/71.88	1.900/48.26	2.220/56.39		2.600/66.04				
-017	2 X 25	3.330/84.58	2.400/60.96	2.720/69.09		3.100/78.74				
-018	2 X 30	3.830/97.28	2.900/73.66	3.220/81.79		3.600/91.44	STD	D		
-019	2 X 5	1.330/33.78	.400/10.16	.720/18.29		1.100/27.94	LP	A		
-020	2 X 7	1.530/38.86	.600/15.24	.920/23.37		1.300/33.02		C		
-021	2 X 8	1.630/41.40	.700/17.78	1.020/25.91		1.400/35.56		D		
-022	2 X 10	1.830/46.48	.900/22.86	1.220/30.99		1.600/40.64				
-023	2 X 13	2.130/54.10	1.200/30.48	1.520/38.61		1.900/48.26				
-024	2 X 17	2.530/64.26	1.600/40.64	1.920/48.77		2.300/58.42				
-025	2 X 20	2.830/71.88	1.900/48.26	2.220/56.39		2.600/66.04				
-026	2 X 25	3.330/84.58	2.400/60.96	2.720/69.09		3.100/78.74				
-027	2 X 30	3.830/97.28	2.900/73.66	3.220/81.79		3.600/91.44	LP	D		
-028	2 X 5	1.330/33.78	.400/10.16	.720/18.29		1.100/27.94	NO	B		
-029	2 X 5	1.330/33.78	.400/10.16	.720/18.29		1.100/27.94	STD	B		
-030	2 X 5	1.330/33.78	.400/10.16	.720/18.29	.105/2.67	1.100/27.94	LP	B		
-031	2 X 5	1.330/33.78	.400/10.16	.720/18.29	.150/3.81		NO	A		
-032	2 X 7	1.530/38.86	.600/15.24	.920/23.37		1.300/33.02		C		
-033	2 X 8	1.630/41.40	.700/17.78	1.020/25.91		1.400/35.56		D		
-034	2 X 10	1.830/46.48	.900/22.86	1.220/30.99		1.600/40.64		D		
-035	2 X 13	2.130/54.10	1.200/30.48	1.520/38.61		1.900/48.26		D		
66207-036	2 X 17	2.530/64.26	1.600/40.64	1.920/48.77	.150/3.81	2.300/58.42	NO	D	RND	30µ"/0.76µ Au OR GXT OVER 50µ"/1.27µ Ni



FCIconnect.com

Copyright FCI

mat'l. code		surface ISO 1302 ✓		tolerance ISO 406 ISO 1101		projection ⊕		product family QKE. HDR.	
ltr	ecn no	dr	date	tolerances unless otherwise specified		INCH/MM		title	
P				angles	linear	.XX±.01/XX±0.3 .XXX±.005/XX±0.13 .XXXX±.0020/XXX±0.051		QUICKIE HDR, STRIGHT 3 WALL LATCH & EJECT	
				0'±2'		scale 2:1		dwg no sheet 4 of 8 size	
				dr	J. SHREINER	11/15/90		66207 A3	
				enr	M. SMIK	11/15/90		type Product Customer Drawing	
				chr	M. SMYK	11/15/90			
				appd	M. SMYK	11/15/90			
sheet index	revision sheet								

PRODUCT NO NOTE 11	SIZE	DIM A	DIM B	DIM C	DIM D	DIM E	LATCH NOTE 7	STYLE	PIN SHAPE	PIN PLATING (NOTE 14)
66207-037	2 X 20	2.830/71.88	1.900/48.26	2.220/56.39	.150/3.81	2.600/76.04	NO	D	RND	30μ"/0.76μ Au OR GXT OVER 50μ"/1.27μ Ni
-038	2 X 25	3.330/84.58	2.400/60.96	2.720/69.09		3.100/78.74	NO	D		
-039	2 X 30	3.830/97.28	2.900/73.66	3.220/81.79		3.600/91.44	NO	D		
-040	2 X 5	1.330/33.78	.400/10.16	.720/18.29		1.100/27.94	STD	A		
-041	2 X 7	1.530/38.86	.600/15.24	.920/23.37		1.300/33.02		C		
-042	2 X 8	1.630/41.40	.700/17.78	1.020/25.91		1.400/35.56		D		
-043	2 X 10	1.830/46.48	.900/22.86	1.220/30.99		1.600/40.64				
-044	2 X 13	2.130/54.10	1.200/30.48	1.520/38.61		1.900/48.26				
-045	2 X 17	2.530/64.26	1.600/40.64	1.920/48.77		2.300/58.42				
-046	2 X 20	2.830/71.88	1.900/48.26	2.220/56.39		2.600/76.04				
-047	2 X 25	3.330/84.58	2.400/60.96	2.720/69.09		3.100/78.74				
-048	2 X 30	3.830/97.28	2.900/73.66	3.220/81.79		3.600/91.44	STD	D		
-049	2 X 5	1.330/33.78	.400/10.16	.720/18.29		1.100/27.94	LP	A		
-050	2 X 7	1.530/38.86	.600/15.24	.920/23.37		1.300/33.02		C		
-051	2 X 8	1.630/41.40	.700/17.78	1.020/25.91		1.400/35.56		D		
-052	2 X 10	1.830/46.48	.900/22.86	1.220/30.99		1.600/40.64				
-053	2 X 13	2.130/54.10	1.200/30.48	1.520/38.61		1.900/48.26				
-054	2 X 17	2.530/64.26	1.600/40.64	1.920/48.77		2.300/58.42				
-055	2 X 20	2.830/71.88	1.900/48.26	2.220/56.39		2.600/76.04				
-056	2 X 25	3.330/84.58	2.400/60.96	2.720/69.09		3.100/78.74				
-057	2 X 30	3.830/97.28	2.900/73.66	3.220/81.79		3.600/91.44	LP	D		
-058	2 X 5	1.330/33.78	.400/10.16	.720/18.29		1.100/27.94	NO	B		
-059	2 X 5	1.330/33.78	.400/10.16	.720/18.29		1.100/27.94	STD	B		
-060	2 X 5	1.330/33.78	.400/10.16	.720/18.29	.150/3.81	1.100/27.94	LP	B	RND	
-061	2 X 5	1.330/33.78	.400/10.16	.720/18.29	.675/17.15	1.100/27.94	NO	A	SQ	
-062	2 X 7	1.530/38.86	.600/15.24	.920/23.37		1.300/33.02		C		
-063	2 X 8	1.630/41.40	.700/17.78	1.020/25.91		1.400/35.56		D		
-064	2 X 10	1.830/46.48	.900/22.86	1.220/30.99		1.600/40.64				
-065	2 X 13	2.130/54.10	1.200/30.48	1.520/38.61		1.900/48.26				
-066	2 X 17	2.530/64.26	1.600/40.64	1.920/48.77		2.300/58.42				
-067	2 X 20	2.830/71.88	1.900/48.26	2.220/56.39		2.600/76.04				
-068	2 X 25	3.330/84.58	2.400/60.96	2.720/69.09		3.100/78.74				
-069	2 X 30	3.830/97.28	2.900/73.66	3.220/81.79		3.600/91.44	NO	D		
-070	2 X 5	1.330/33.78	.400/10.16	.720/18.29		1.100/27.94	STD	A		
-071	2 X 7	1.530/38.86	.600/15.24	.920/23.37		1.300/33.02	STD	C		
66207-072	2 X 8	1.630/41.40	.700/17.78	1.020/25.91	.675/17.15	1.400/35.56	STD	D	SQ	30μ"/0.76μ Au OR GXT OVER 50μ"/1.27μ Ni



FCIconnect.com

Copyright FCI

mat'l. code		surface ISO 1302 ✓		tolerance ISO 406 ISO 1101		projection ⊕		product family QKE. HDR.	
ltr	ecn	no	dr	date		tolerances unless otherwise specified		title	
P						angles	linear	QUICKIE HDR, STRIGHT 3 WALL LATCH & EJECT	
						0°±2'	.XX±.01/XX±0.3 .XXX±.005/XX±0.13 .XXXX±.0020/XXX±0.051	INCH/MM scale 2:1	
						dr	J. SHREINER	11/15/90	dwg no
						enfr	M. SMIK	11/15/90	sheet 5 of 8 size
						chr	M. SMYK	11/15/90	66207
						appd	M. SMYK	11/15/90	A3
sheet index		revision sheet						type Product Customer Drawing	



PRODUCT NO NOTE 11	SIZE	DIM A	DIM B	DIM C	DIM D	DIM E	LATCH NOTE 7	STYLE	PIN SHAPE	PIN PLATING (NOTE 14)
66207-073	2 X 10	1.830/46.48	.900/22.86	1.220/30.99	.675/17.15	1.600/40.64	STD	D	SQ	30µ"/0.76µ Au OR GXT OVER 50µ"/1.27µ Ni
-074	2 X 13	2.130/54.10	1.200/30.48	1.520/38.61		1.900/48.26				
-075	2 X 17	2.530/64.26	1.600/40.64	1.920/48.77		2.300/58.42				
-076	2 X 20	2.830/71.88	1.900/48.26	2.220/56.39		2.600/76.04				
-077	2 X 25	3.330/84.58	2.400/60.96	2.720/69.09		3.100/78.74				
-078	2 X 30	3.830/97.28	2.900/73.66	3.220/81.79		3.600/91.44	STD	D		
-079	2 X 5	1.330/33.78	.400/10.16	.720/18.29		1.100/27.94	LP	A		
-080	2 X 7	1.530/38.86	.600/15.24	.920/23.37		1.300/33.02		C		
-081	2 X 8	1.630/41.40	.700/17.78	1.020/25.91		1.400/35.56		D		
-082	2 X 10	1.830/46.48	.900/22.86	1.220/30.99		1.600/40.64				
-083	2 X 13	2.130/54.10	1.200/30.48	1.520/38.61		1.900/48.26				
-084	2 X 17	2.530/64.26	1.600/40.64	1.920/48.77		2.300/58.42				
-085	2 X 20	2.830/71.88	1.900/48.26	2.220/56.39		2.600/76.04				
-086	2 X 25	3.330/84.58	2.400/60.96	2.720/69.09		3.100/78.74				
-087	2 X 30	3.830/97.28	2.900/73.66	3.220/81.79		3.600/91.44	LP	D		
-088	2 X 5	1.330/33.78	.400/10.16	.720/18.29		1.100/27.94	NO	B		
-089	2 X 5	1.330/33.78	.400/10.16	.720/18.29		1.100/27.94	STD	B		
-090	2 X 5	1.330/33.78	.400/10.16	.720/18.29	.675/17.15	1.100/27.94	LP	B	SQ	
-091	2 X 12	2.030/45.56	1.100/27.94	1.420/36.07	.105/2.67	1.800/45.72	NO	D	RND	
-092					.105/2.67		STD			
-093					.105/2.67		LP			
-094					.150/3.81		NO			
-095					.150/3.81		STD			
-096					.150/3.81		LP		RND	
-097					.675/17.15		NO		SQ	
-098					.675/17.15		STD		SQ	
-099	2 X 12	2.030/45.56	1.100/27.94	1.420/36.07	.675/17.15	1.800/45.72	LP		SQ	
-100	2 X 15	2.330/59.18	1.400/35.56	1.720/43.69	.105/2.67	2.100/53.34	NO		RND	
-101					.105/2.67		STD			
-102					.105/2.67		LP			
-103					.150/3.81		NO			
-104					.150/3.81		STD			
-105					.150/3.81		LP		RND	
-106					.675/17.15		NO		SQ	
-107					.675/17.15		STD		SQ	
66207-108	2 X 15	2.330/59.18	1.400/35.56	1.720/43.69	.675/17.15	2.100/53.34	LP	D	SQ	30µ"/0.76µ Au OR GXT OVER 50µ"/1.27µ Ni



FCIconnect.com

Copyright FCI

mat'l. code		surface ISO 1302 ✓		tolerance ISO 406 ISO 1101		projection ⊕		product family QKE. HDR.	
ltr	ecn no	dr	date	tolerances unless otherwise specified		INCH/MM		title	
P				angles	linear	.XX±.01/XX±0.3 .XXX±.005/XX±0.13 .XXXX±.0020/XXX±0.051		QUICKIE HDR, STRIGHT 3 WALL LATCH & EJECT	
				0°±2'		scale 2:1		dwg no sheet 6 of 8 size	
				dr	J. SHREINER	11/15/90		66207 A3	
				enr	M. SMIK	11/15/90		type Product Customer Drawing	
				chr	M. SMYK	11/15/90			
				appd	M. SMYK	11/15/90			
sheet index	revision sheet								

PRODUCT NO NOTE 11	SIZE	DIM A	DIM B	DIM C	DIM D	DIM E	LATCH	STYLE	PIN SHAPE	PIN PLATING (NOTE 14)	PIN OMIT
66207-109	2 X 22	3.030/76.96	2.100/53.34	2.420/61.47	.105/2.67	2.800/81.12	NO	D	RND	30μ"/0.76μ Au OR GXT OVER 50μ"/1.27μ Ni	
-110					.105/2.67		STD				
-111					.105/2.67		LP				
-112					.150/3.81		NO				
-113					.150/3.81		STD				
-114					.150/3.81		LP		RND		
-115					.675/17.15		NO		SQ		
-116					.675/17.15		STD		SQ		
-117	2 X 22	3.030/76.96	2.100/53.34	2.420/61.47	.675/17.15	2.800/81.12	LP		SQ	30μ"/0.76μ Au OR GXT OVER 50μ"/1.27μ Ni	
-118	2 X 17	2.530/64.26	1.600/40.64	1.920/48.77	.150/3.81	2.300/58.42	LP		RND	15μ"/0.38μ Au OR GXT OVER 50μ"/1.27μ Ni	
-119	2 X 17	2.530/64.26	1.600/40.64	1.920/48.77	.150/3.81	2.300/58.42	NO		RND	15μ"/0.38μ Au OR GXT OVER 50μ"/1.27μ Ni	
-120	2 X 10	1.830/46.48	.900/22.86	1.220/30.99	.105/2.67	1.600/40.64	NOTE 9		SQ	30μ"/0.76μ Au OR GXT OVER 50μ"/1.27μ Ni	
-121	2 X 10	1.830/46.48	.900/22.86	1.220/30.99	.150/3.81	1.600/40.64	NOTE 9	D	RND		
-122	2 X 5	1.330/33.78	.400/10.16	.720/18.29	.105/2.67	1.100/27.94	NOTE 9	B	SQ		
-123	2 X 5	1.330/33.78	.400/10.16	.720/18.29		1.100/27.94	NO	B			
-124	2 X 10	1.830/46.48	.900/22.86	1.220/30.99		1.600/40.64	NO	D			
-125	2 X 25	3.330/84.58	2.400/60.96	2.720/69.09		3.100/78.74	NOTE 9	D			
-126	2 X 25	3.330/84.58	2.400/60.96	2.720/69.09		3.100/78.74	NO	D			
-127	2 X 5	1.330/33.78	.400/10.16	.720/18.29		1.100/27.94	NO	A			
-128	2 X 5	1.330/33.78	.400/10.16	.720/18.29		1.100/27.94	NOTE 9	A			
-129	2 X 7	1.530/38.86	.600/15.24	.920/23.37		1.300/33.02	NO	C			
-130	2 X 7	1.530/38.86	.600/15.24	.920/23.37		1.300/33.02	NOTE 9	C			
-131	2 X 8	1.630/41.40	.700/17.78	1.020/25.91		1.400/35.56	NO	D			
-132	2 X 8	1.630/41.40	.700/17.78	1.020/25.91		1.400/35.56	NOTE 9				
-133	2 X 13	2.130/54.10	1.200/30.48	1.520/38.61		1.900/48.26	NO				
-134	2 X 13	2.130/54.10	1.200/30.48	1.520/38.61		1.900/48.26	NOTE 9				
-135	2 X 17	2.530/64.26	1.600/40.64	1.920/48.77		2.300/58.42	NO				
-136	2 X 17	2.530/64.26	1.600/40.64	1.920/48.77		2.300/58.42	NOTE 9				
-137	2 X 20	2.830/71.88	1.900/48.26	2.220/56.39		2.600/66.04	NO				
-138	2 X 20	2.830/71.88	1.900/48.26	2.220/56.39		2.600/66.04	NOTE 9				
-139	2 X 30	3.830/97.28	2.900/73.66	3.220/81.79		3.600/91.44	NO				
-140	2 X 30	3.830/97.28	2.900/73.66	3.220/81.79		3.600/91.44	NOTE 9	D	SQ	30μ"/0.76μ Au OR GXT OVER 50μ"/1.27μ Ni	
-141	2 X 5	1.330/33.78	.400/10.16	.720/18.29	.105/2.67	1.100/27.94	LP	A	RND	15μ"/0.38μ Au OR GXT OVER 50μ"/1.27μ Ni	10
-142	2 X 5	1.330/33.78	.400/10.16	.720/18.29	.120/27.94	1.100/27.94	LP	A	RND	15μ"/0.38μ Au OR GXT OVER 50μ"/1.27μ Ni	10
-143	2 X 5	1.330/33.78	.400/10.16	.720/18.29	.105/2.67	1.100/27.94	NO	A	RND	15μ"/0.38μ Au OR GXT OVER 50μ"/1.27μ Ni	10
66207-144	2 X 5	1.330/33.78	.400/10.16	.720/18.29	.120/27.94	1.100/27.94	NO	A	RND	15μ"/0.38μ Au OR GXT OVER 50μ"/1.27μ Ni	10



FCIconnect.com

Copyright FCI

mat'l. code		surface ISO 1302 ✓		tolerance ISO 406 ISO 1101		projection ⊕		product family QKE. HDR.	
ltr	ecn	no	dr	date		tolerances unless otherwise specified		title	
P						angles	linear	QUICKIE HDR, STRIGHT 3 WALL LATCH & EJECT	
						0°±2'	XXXX±.01/XX±0.3 XXXX±.005/XX±0.13 XXXX±.0020/XX±0.051	INCH/MM scale 2:1	
						dr	J. SHREINER	11/15/90	dwg no
						enfr	M. SMIK	11/15/90	sheet 7 of 8 size
						chr	M. SMYK	11/15/90	66207
						appd	M. SMYK	11/15/90	A3
sheet index		revision sheet						type Product Customer Drawing	



PRODUCT NO NOTE 11	SIZE	DIM A	DIM B	DIM C	DIM D	DIM E	LATCH	STYLE	PIN SHAPE	PIN PLATING (NOTE 14)	PIN OMIT
66207-145	2 X 5	1.330/33.78	.400/10.16	.720/18.29	.120/27.94	1.100/27.94	NOTE 9	A	RND	15μ"/0.38μ Au OR GXT OVER 50μ"/1.27μ Ni	10
66207-146	2 X 30	3.830/97.28	2.900/73.66	3.220/81.79	.150/3.81	3.600/91.44	NOTE 9	D	RND	30μ"/0.76μ Au OR GXT OVER 50μ"/1.27μ Ni	-



FCIconnect.com

Copyright FCI

mat'l. code		surface ISO 1302 <input checked="" type="checkbox"/>		tolerance ISO 406 ISO 1101		projection 		product family QKE. HDR.			
ltr	ecn	no	dr	date		tolerances unless otherwise specified		title			
P						angles	linear	INCH/MM		QUICKIE HDR, STRIGHT 3 WALL LATCH & EJECT	
						0°±2'		scale 2:1		dwg no sheet 8 of 8 size	
						dr	J. SHREINER	11/15/90		66207 A3	
						enfr	M. SMIK	11/15/90			
						chr	M. SMYK	11/15/90			
						appd	M. SMYK	11/15/90		type Product Customer Drawing	
sheet	revision										
index	sheet										

form: A3

Mouser Electronics

Authorized Distributor

Click to View Pricing, Inventory, Delivery & Lifecycle Information:

[FCI / Amphenol:](#)

[66207-011](#) [66207-015](#) [66207-019](#) [66207-022](#) [66207-023](#) [66207-026](#) [66207-004LF](#) [66207-014LF](#) [66207-022LF](#)
[66207-023LF](#) [66207-005LF](#) [66207-006LF](#) [66207-008LF](#) [66207-010LF](#) [66207-012LF](#) [66207-013LF](#) [66207-016LF](#)
[66207-051LF](#) [66207-053LF](#) [66207-056LF](#) [66207-060LF](#) [66207-145LF](#) [66207-009LF](#) [66207-005](#) [66207-007](#) [66207-](#)
[140](#) [66207-145](#) [66207-136LF](#)