



FCIconnect.com

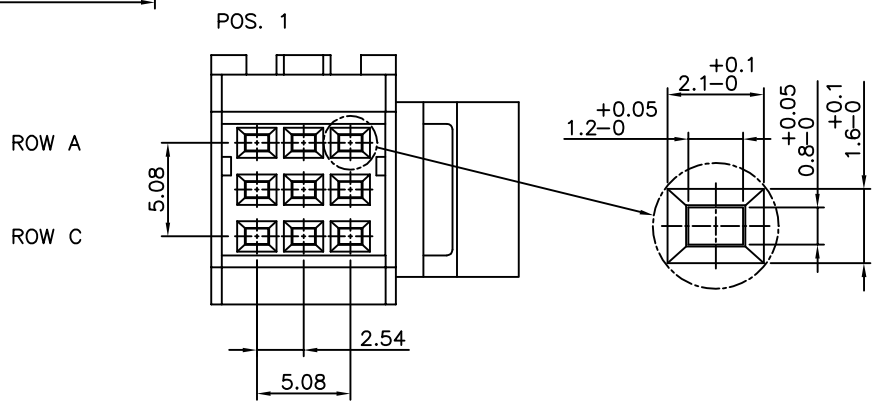
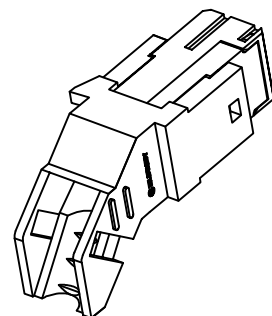
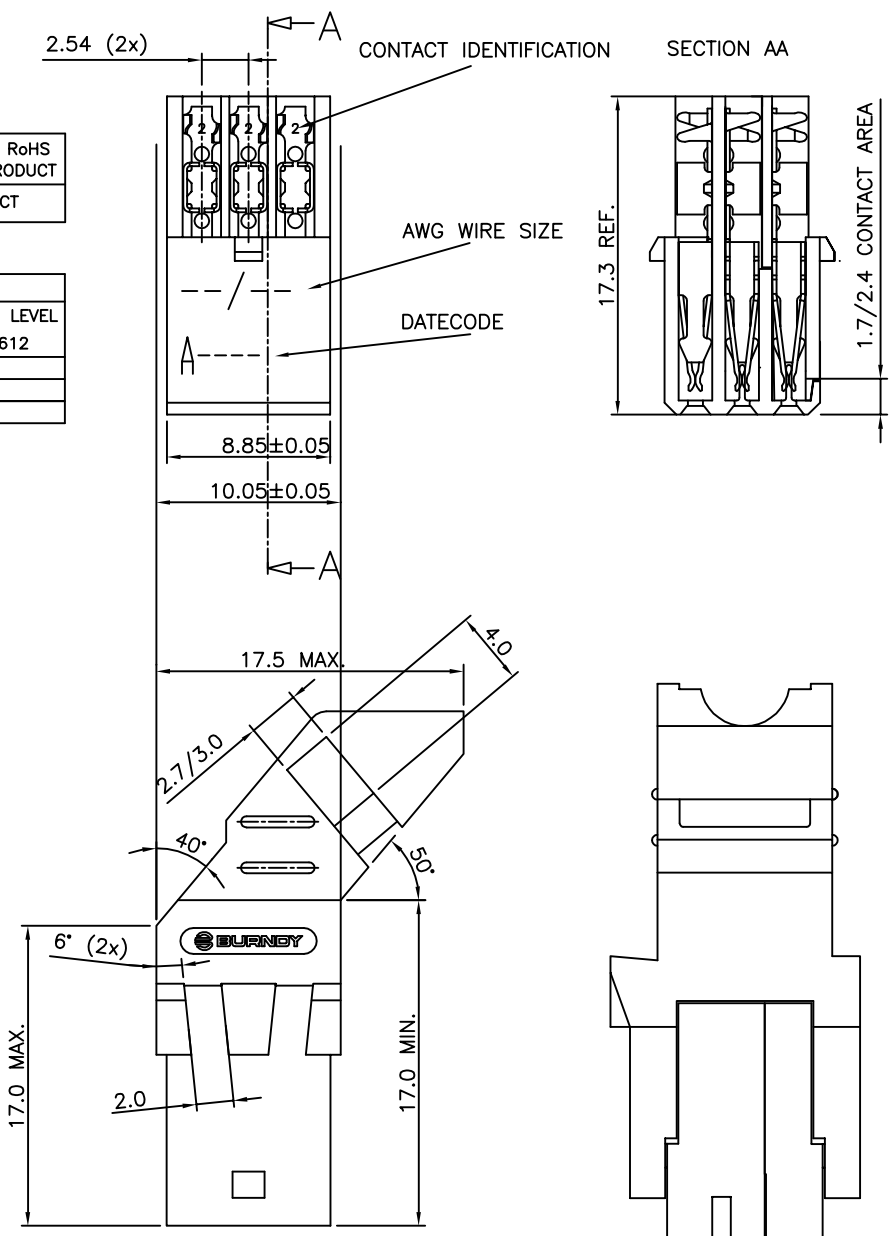
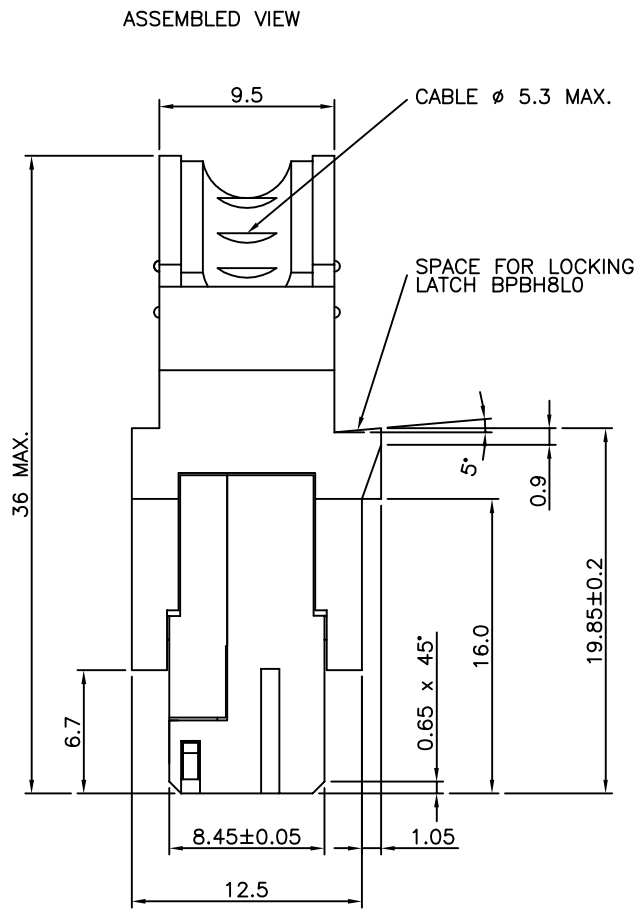
Copyright FCI

PRODUCT NUMBER BPS8B09FLD-C0

WITH "LF" SUFFIX	LEAD FREE OR RoHS COMPATIBLE PRODUCT
WITHOUT SUFFIX	LEADED PRODUCT

WIRE ACCOMODATION		
PRODUCT NUMBER	WIRE SIZE	CONTACT IDENTIFICATION
BPS8B09FLD0C0--	AWG28/30	0
BPS8B09FLD2C0--	AWG24/26	2

CONTACT PLATING	
PLATING CODE	PERFORMANCE LEVEL PER DIN41612
Z0	CLASS 3
Z1	CLASS 2
E9	CLASS 1



NOTES:-  
 1. THE "LF" PRODUCTS MEET EUROPEAN UNION DIRECTIVES AND OTHER COUNTRY REGULATIONS AS DESCRIBED IN GS-22-008  
 2. LEAD FREE OR RoHS DIRECTIVE LABELING TO BE PROVIDED AS PER GS-14-920 FOR RoHS COMPATIBLE VERSION.

PERFORMANCES CHARACTERISTICS  
 VOLTAGE RATING : 250 VAC (rms)  
 CURRENT RATING : 1,5 A AT 25 °C, 1 A AT 70 °C.  
 INSULATION RESISTANCE : 1000 MΩ INITIAL, 100 MΩ MIN. AFTER TEST  
 DIELECTRIC WITH-  
 STANDING VOLTAGE : 1000 VAC (rms).  
 CONTACT RESISTANCE : 15 mΩ MAX. INITIAL, 5 mΩ MAX. RISE OF INITIAL VALUE AFTER TEST.  
 OPERATING TEMPERATURE\*: -40 °C TO +125 °C.  
 INSERTION FORCE : 1 N MAX./CONTACT.  
 WITHDRAWAL FORCE : 0,2 N MIN./CONTACT.  
 \*DEPENDING ON THE CABLE, THE MAX. TEMPERATURE CAN BE LOWER.  
 FOR STANDARD PVC INSULATED CABLE : 105 °C MAX.

CONSTRUCTION  
 BODY MATERIAL : GLASS-REINFORCED THERMOPLASTIC (UL94V-0).  
 COVER MATERIAL : POLYESTER (PBTP), COLOUR : BLACK.  
 CONTACT MATERIAL : PHOSPHOR BRONZE.  
 CONTACT FINISH : Au OVER Ni IN CONTACT AREA  
 SnPb on I.D.C. TERMINAL FOR LEADED PRODUCTS.  
 Sn (MATTE TIN) ON I.D.C TERMINAL FOR LEAD FREE PRODUCTS.  
 Z0 : PERFORMANCE LEVEL PER DIN41612 CLASS 3  
 Z1 : PERFORMANCE LEVEL PER DIN41612 CLASS 2  
 E9 : PERFORMANCE LEVEL PER DIN41612 CLASS 1  
 OTHERS : CONSULT FCI  
 TIE-WRAP : OPTIONAL (PART N°. TF3)

PART NUMBERS  
 BPS8B09FLD0C0---- CONNECTOR FOR WIRE SIZE AWG28, AWG30.  
 (CONTACT IDENTIFICATION : 0).  
 BPS8B09FLD2C0---- CONNECTOR FOR WIRE SIZE AWG24, AWG26  
 (CONTACT IDENTIFICATION : 2).

AWG WIRE SIZE MARKING  
 BPS8B09FLD0C0-- : 28/30  
 BPS8B09FLD0C0--LF : 28/30  
 BPS8B09FLD2C0-- : 24/26  
 BPS8B09FLD2C0--LF : 24/26  
 DATECODE MARKING  
 A + YEAR & WEEKCODE, EXAMPLE : A9950.

mat'l. code		surface		tolerance		projection		product family	
SEE NOTE		ISO 1302		ISO 406 ISO 1101				BPS8	
litr ecn no dr date		tolerances unless otherwise specified		angles		mm		title	
A	F00819	DLE	2000-10-23	linear		mm		ASSY BPS8	
B	105-0123	MINI	2005-07-27	±1°		scale -		09 POS. A,B,C LOADED	
C	106-0067	MINI	2006-06-01					dwg no sheet 1 of 4 size	
		dr D.LEGRAND		2000-10-23				55350 A3	
		enr J.F.NOTTEAU		2000-10-23					
		chr RAKHEE GEORGE		2006-06-01					
		appd RAKHEE GEORGE		2006-06-01				type Product Customer Drawing	
sheet index	revision sheet	C	C	C	C				
		1	2	3	4				

PRODUCT NUMBER BPS8B09FLD-00-----

WITH "LF" SUFFIX	LEAD FREE OR RoHS COMPATIBLE PRODUCT
WITHOUT SUFFIX	LEADED PRODUCT

WIRE ACCOMODATION		
PRODUCT NUMBER	WIRE SIZE	CONTACT IDENTIFICATION
BPS8B09FLD000--	AWG28/30	0
BPS8B09FLD200--	AWG24/26	2

CONTACT PLATING	
PLATING CODE	PERFORMANCE LEVEL PER DIN41612
Z0	CLASS 3
Z1	CLASS 2
E9	CLASS 1

**NOTES:-**  
 1. THE "LF" PRODUCTS MEET EUROPEAN UNION DIRECTIVES AND OTHER COUNTRY REGULATIONS AS DESCRIBED IN GS-22-008  
 2. LEAD FREE OR RoHS DIRECTIVE LABELING TO BE PROVIDED AS PER GS-14-920 FOR RoHS COMPATIBLE VERSION.

**PERFORMANCES CHARACTERISTICS**

VOLTAGE RATING : 250 VAC (rms)  
 CURRENT RATING : 1,5 A AT 25 °C, 1 A AT 70 °C.  
 INSULATION RESISTANCE : 1000 MΩ INITIAL, 100 MΩ MIN. AFTER TEST  
 DIELECTRIC WITH-  
 STANDING VOLTAGE : 1000 VAC (rms).  
 CONTACT RESISTANCE : 15 mΩ MAX. INITIAL, 5 mΩ MAX. RISE OF INITIAL VALUE AFTER TEST.  
 OPERATING TEMPERATURE\*: -40 °C TO +125 °C.  
 INSERTION FORCE : 1 N MAX./CONTACT.  
 WITHDRAWAL FORCE : 0,2 N MIN./CONTACT.

\*DEPENDING ON THE CABLE, THE MAX. TEMPERATURE CAN BE LOWER.  
 FOR STANDARD PVC INSULATED CABLE : 105 °C MAX.

**CONSTRUCTION**

BODY MATERIAL : GLASS-REINFORCED THERMOPLASTIC (UL94V-0).  
 CONTACT MATERIAL : PHOSPHOR BRONZE.  
 CONTACT FINISH : Au OVER Ni IN CONTACT AREA  
 SnPb ON I.D.C. TERMINAL FOR LEADED PRODUCTS.  
 Sn (MATTE TIN) ON I.D.C. TERMINAL FOR LEAD FREE PRODUCTS.  
 Z0 : PERFORMANCE LEVEL PER DIN41612 CLASS 3  
 Z1 : PERFORMANCE LEVEL PER DIN41612 CLASS 2  
 E9 : PERFORMANCE LEVEL PER DIN41612 CLASS 1  
 OTHERS : CONSULT FCI

**PART NUMBERS**

BPS8B09FLD000----- CONNECTOR FOR WIRE SIZE AWG28, AWG30.  
 (CONTACT IDENTIFICATION : 0).  
 BPS8B09FLD200----- CONNECTOR FOR WIRE SIZE AWG24, AWG26  
 (CONTACT IDENTIFICATION : 2).

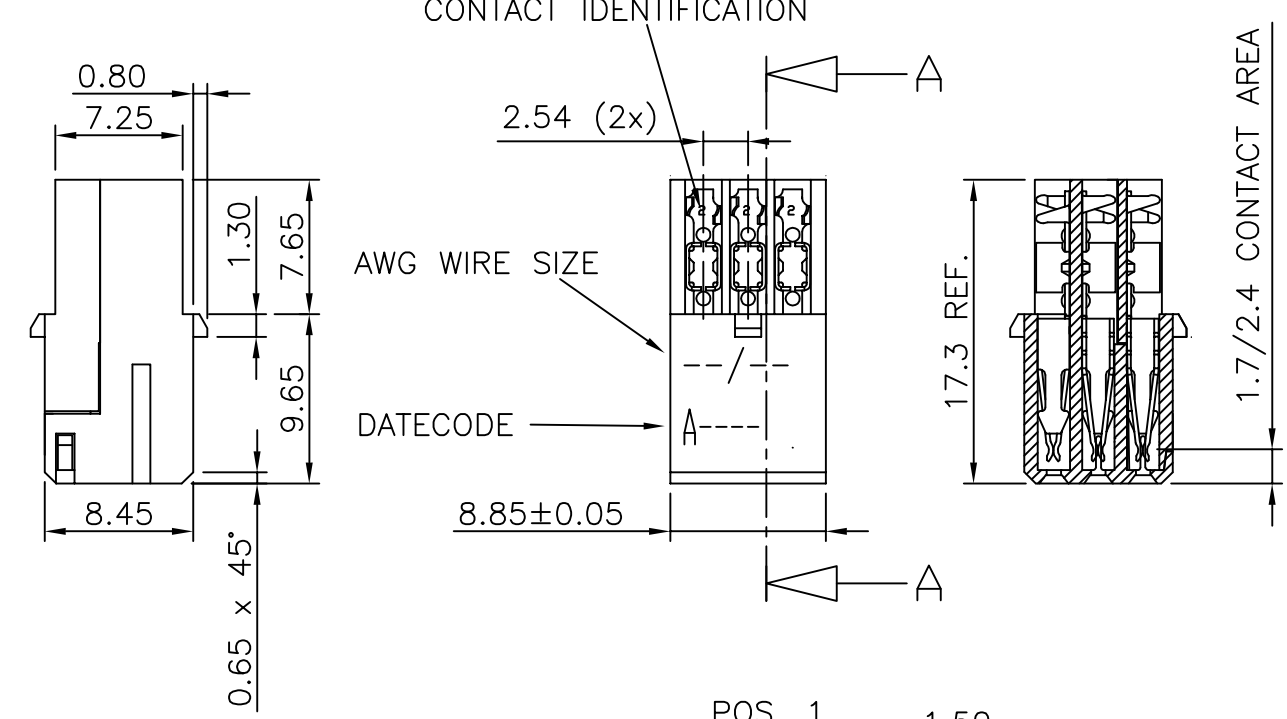
**AWG WIRE SIZE MARKING**

BPS8B09FLD000-- : 28/30  
 BPS8B09FLD000--LF : 28/30  
 BPS8B09FLD200-- : 24/26  
 BPS8B09FLD200--LF : 24/26

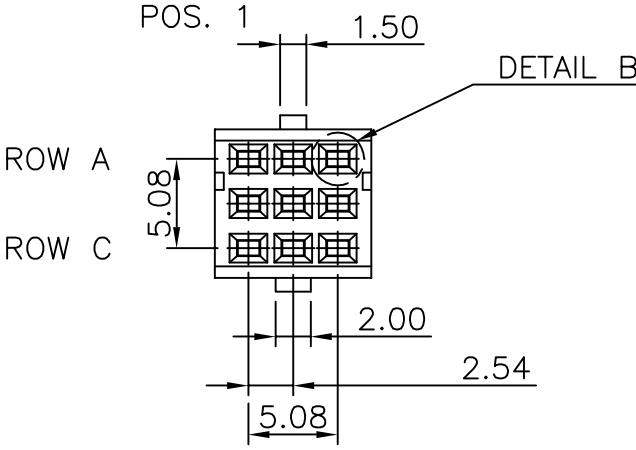
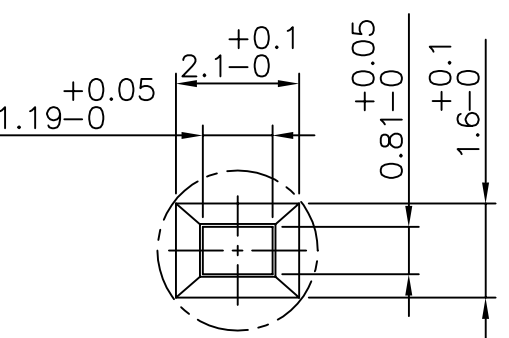
**DATECODE MARKING**

A + YEAR & WEEKCODE, EXAMPLE : A9950.

**SECTION AA**



**DETAIL B**



mat'l. code		surface		tolerance		projection		product family		
SEE NOTE		ISO 1302		ISO 406 ISO 1101		mm		BPS8		
ltr	ecn no	dr	date	tolerances unless otherwise specified		mm		title		
A	F00819	DLE	2000-10-19	angles	linear	mm		ASSY BPS8		
B	I05-0123	MINI	2005-07-27			scale -		09 POS. A,B,C LOADED		
C	I06-0067	MINI	2006-06-01	±1'						
		dr	D.LEGRAND	2000-10-19		FCI		dwg no		
		enr	J.F.NOTTEAU	2000-10-19				sheet 2 of 4		size
		chr	RAKHEE GEORGE	2006-06-01				55350		A3
		appd	RAKHEE GEORGE	2006-06-01				type		Product Customer Drawing
sheet index	revision sheet									



Copyright FCI

**NOTES:-**  
 1. THE "LF" PRODUCTS MEET EUROPEAN UNION DIRECTIVES AND OTHER COUNTRY REGULATIONS AS DESCRIBED IN GS-22-008  
 2. LEAD FREE OR RoHS DIRECTIVE LABELING TO BE PROVIDED AS PER GS-14-920 FOR RoHS COMPATIBLE VERSION.

**PERFORMANCES CHARACTERISTICS**

VOLTAGE RATING : 250 VAC (rms)  
 CURRENT RATING : 1,5 A AT 25 °C, 1 A AT 70 °C.  
 INSULATION RESISTANCE : 1000 MΩ INITIAL, 100 MΩ MIN. AFTER TEST  
 DIELECTRIC WITH-  
 STANDING VOLTAGE : 1000 VAC (rms).  
 CONTACT RESISTANCE : 15 mΩ MAX. INITIAL, 5 mΩ MAX. RISE OF INITIAL VALUE AFTER TEST.  
 OPERATING TEMPERATURE\*: -40 °C TO +125 °C.  
 INSERTION FORCE : 1 N MAX./CONTACT.  
 WITHDRAWAL FORCE : 0,2 N MIN./CONTACT.  
 \*DEPENDING ON THE CABLE, THE MAX. TEMPERATURE CAN BE LOWER. FOR STANDARD PVC INSULATED CABLE : 105 °C MAX.

**CONSTRUCTION**

BODY MATERIAL : GLASS-REINFORCED THERMOPLASTIC (UL94V-0).  
 COVER MATERIAL : Ni PLATED ABS MATERIAL.  
 CONTACT MATERIAL : PHOSPHOR BRONZE.  
 CONTACT FINISH : Au OVER Ni IN CONTACT AREA  
 SnPb ON I.D.C. TERMINAL FOR LEADED PRODUCTS.  
 Sn (MATTE TIN) ON I.D.C. TERMINAL FOR LEAD FREE PRODUCTS.  
 Z0 : PERFORMANCE LEVEL PER DIN41612 CLASS 3  
 Z1 : PERFORMANCE LEVEL PER DIN41612 CLASS 2  
 E9 : PERFORMANCE LEVEL PER DIN41612 CLASS 1  
 OTHERS : CONSULT FCI  
 TIE-WRAP : OPTIONAL (PART N°. TF3)

**PART NUMBERS**

BPS8B09FLD0M0---- CONNECTOR FOR WIRE SIZE AWG28, AWG30. (CONTACT IDENTIFICATION : 0).  
 BPS8B09FLD2M0---- CONNECTOR FOR WIRE SIZE AWG24, AWG26 (CONTACT IDENTIFICATION : 2).

**AWG WIRE SIZE MARKING**

BPS8B09FLD0M0-- : 28/30.  
 BPS8B09FLD0M0--LF : 28/30.  
 BPS8B09FLD2M0-- : 24/26.  
 BPS8B09FLD2M0--LF : 24/26.

**DATECODE MARKING**

A + YEAR & WEEKCODE, EXAMPLE : A9950.

mat'l. code	surface	tolerance	projection	product family														
SEE NOTE	ISO 1302 ✓	ISO 406 ISO 1101		BPS8														
ltr	ecn no	dr	date	title														
A	F00819	DLE	2000-10-23	ASSY BPS8 09 POS. A,B,C LOADED														
B	I05-0123	MINI	2005-07-27															
C	I06-0067	MINI	2006-06-01															
<table border="1"> <tr> <td>dr</td> <td>D.LEGRAND</td> <td>2000-10-23</td> </tr> <tr> <td>enr</td> <td>J.F.NOTTEAU</td> <td>2000-10-23</td> </tr> <tr> <td>chr</td> <td>RAKHEE GEORGE</td> <td>2006-06-01</td> </tr> <tr> <td>appd</td> <td>RAKHEE GEORGE</td> <td>2006-06-01</td> </tr> </table>				dr	D.LEGRAND	2000-10-23	enr	J.F.NOTTEAU	2000-10-23	chr	RAKHEE GEORGE	2006-06-01	appd	RAKHEE GEORGE	2006-06-01	dwg no	sheet 3 of 4	size
dr	D.LEGRAND	2000-10-23																
enr	J.F.NOTTEAU	2000-10-23																
chr	RAKHEE GEORGE	2006-06-01																
appd	RAKHEE GEORGE	2006-06-01																
				55350	A3													
				type	Product Customer Drawing													

tolerance	projection	product family
ISO 406 ISO 1101		BPS8
tolerances unless otherwise specified	mm	title
angles	linear	ASSY BPS8 09 POS. A,B,C LOADED
±1°	scale -	dwg no
		sheet 3 of 4
		55350
		size
		A3
		type
		Product Customer Drawing

sheet index	revision sheet																			
-------------	----------------	--	--	--	--	--	--	--	--	--	--	--	--	--	--	--	--	--	--	--

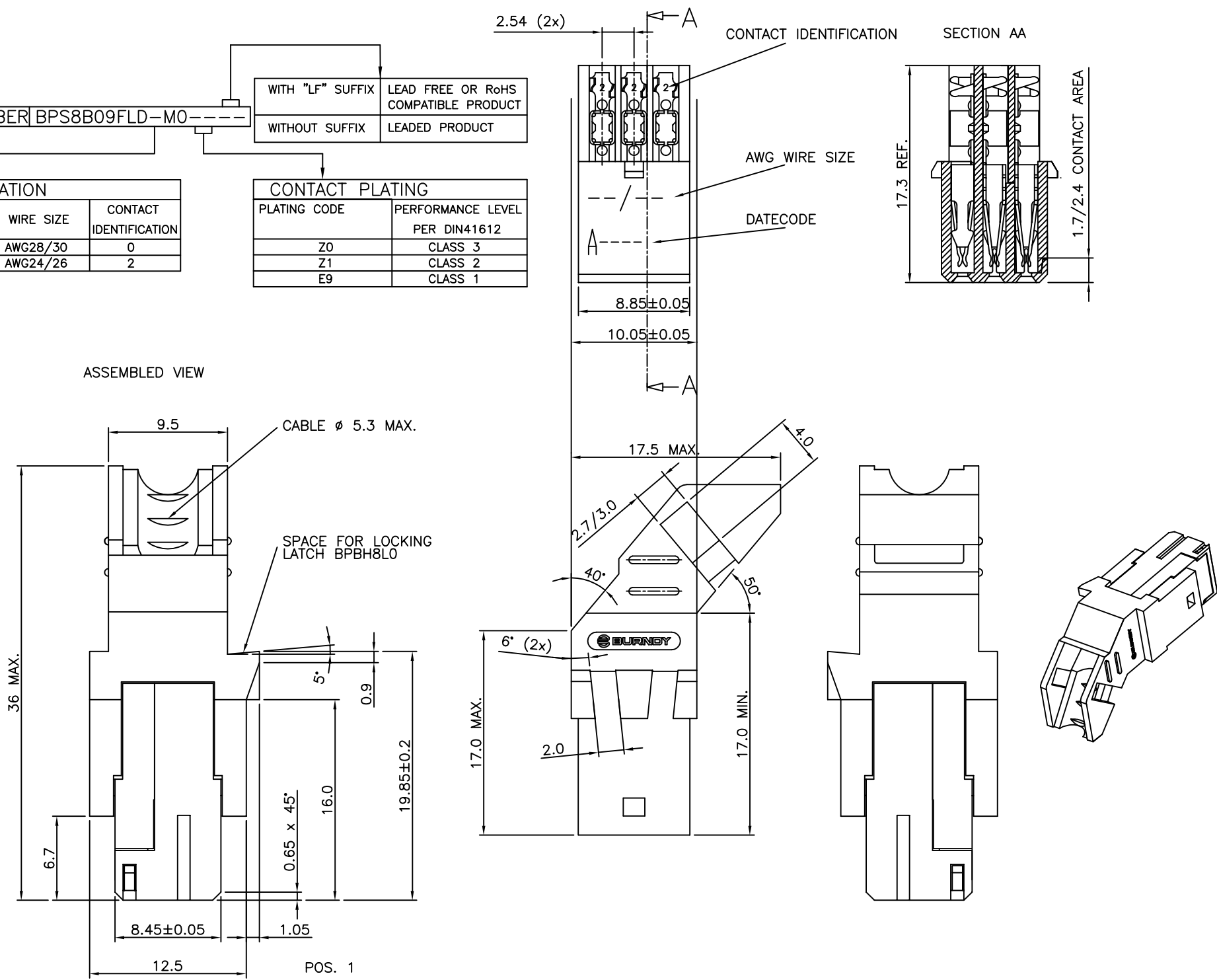
PRODUCT NUMBER	BPS8B09FLD-M0
WITH "LF" SUFFIX	LEAD FREE OR RoHS COMPATIBLE PRODUCT
WITHOUT SUFFIX	LEADED PRODUCT

WIRE ACCOMODATION		
PRODUCT NUMBER	WIRE SIZE	CONTACT IDENTIFICATION
BPS8B09FLD0M0--	AWG28/30	0
BPS8B09FLD2M0--	AWG24/26	2

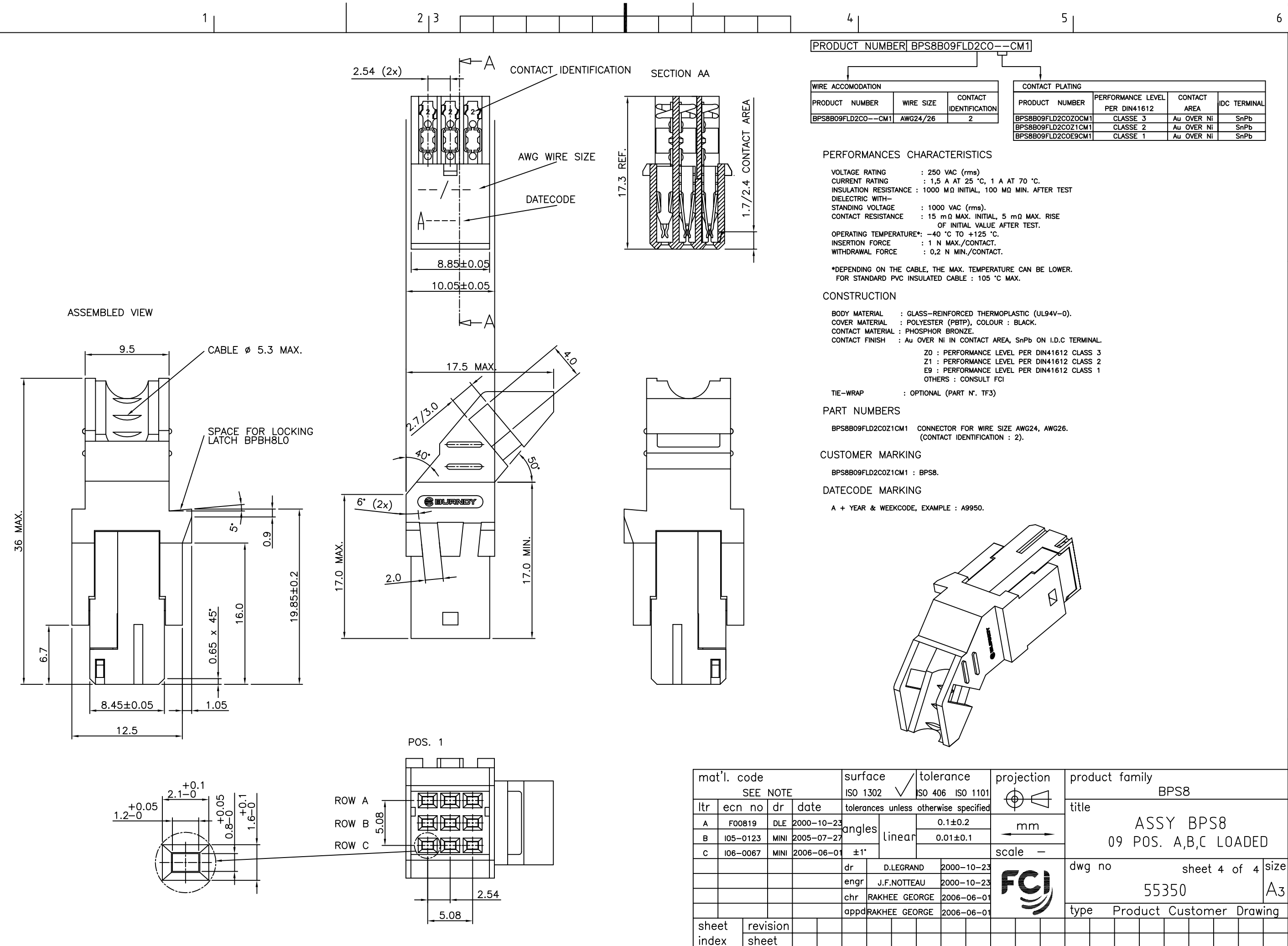
  

CONTACT PLATING	
PLATING CODE	PERFORMANCE LEVEL PER DIN41612
Z0	CLASS 3
Z1	CLASS 2
E9	CLASS 1



Copyright FCI

FCIconnect.com



PRODUCT NUMBER BPS8B09FLD2CO--CM1

WIRE ACCOMODATION		
PRODUCT NUMBER	WIRE SIZE	CONTACT IDENTIFICATION
BPS8B09FLD2CO--CM1	AWG24/26	2

CONTACT PLATING			
PRODUCT NUMBER	PERFORMANCE LEVEL PER DIN41612	CONTACT AREA	IDC TERMINAL
BPS8B09FLD2COZ0CM1	CLASSE 3	Au OVER Ni	SnPb
BPS8B09FLD2COZ1CM1	CLASSE 2	Au OVER Ni	SnPb
BPS8B09FLD2COE9CM1	CLASSE 1	Au OVER Ni	SnPb

PERFORMANCES CHARACTERISTICS

VOLTAGE RATING : 250 VAC (rms)  
 CURRENT RATING : 1,5 A AT 25 °C, 1 A AT 70 °C.  
 INSULATION RESISTANCE : 1000 MΩ INITIAL, 100 MΩ MIN. AFTER TEST  
 DIELECTRIC WITHSTANDING VOLTAGE : 1000 VAC (rms).  
 CONTACT RESISTANCE : 15 mΩ MAX. INITIAL, 5 mΩ MAX. RISE OF INITIAL VALUE AFTER TEST.  
 OPERATING TEMPERATURE\*: -40 °C TO +125 °C.  
 INSERTION FORCE : 1 N MAX./CONTACT.  
 WITHDRAWAL FORCE : 0,2 N MIN./CONTACT.

\*DEPENDING ON THE CABLE, THE MAX. TEMPERATURE CAN BE LOWER.  
 FOR STANDARD PVC INSULATED CABLE : 105 °C MAX.

CONSTRUCTION

BODY MATERIAL : GLASS-REINFORCED THERMOPLASTIC (UL94V-0).  
 COVER MATERIAL : POLYESTER (PBTP), COLOUR : BLACK.  
 CONTACT MATERIAL : PHOSPHOR BRONZE.  
 CONTACT FINISH : Au OVER Ni IN CONTACT AREA, SnPb ON I.D.C TERMINAL.  
 Z0 : PERFORMANCE LEVEL PER DIN41612 CLASS 3  
 Z1 : PERFORMANCE LEVEL PER DIN41612 CLASS 2  
 E9 : PERFORMANCE LEVEL PER DIN41612 CLASS 1  
 OTHERS : CONSULT FCI  
 TIE-WRAP : OPTIONAL (PART N°. TF3)

PART NUMBERS

BPS8B09FLD2COZ1CM1 CONNECTOR FOR WIRE SIZE AWG24, AWG26.  
 (CONTACT IDENTIFICATION : 2).

CUSTOMER MARKING

BPS8B09FLD2COZ1CM1 : BPS8.

DATECODE MARKING

A + YEAR & WEEKCODE, EXAMPLE : A9950.

mat'l. code		surface		tolerance		projection		product family	
SEE NOTE		ISO 1302		ISO 406 ISO 1101		mm		BPS8	
ltr	ecn no	dr	date	tolerances unless otherwise specified		mm		title	
A	F00819	DLE	2000-10-23	angles	linear	mm		ASSY BPS8	
B	I05-0123	MINI	2005-07-27	±1°		mm		09 POS. A,B,C LOADED	
C	I06-0067	MINI	2006-06-01	±1°		scale -		dwg no	
		dr	D.LEGRAND	2000-10-23		FCJ		sheet 4 of 4 size	
		engr	J.F.NOTTEAU	2000-10-23				55350 A3	
		chr	RAKHEE GEORGE	2006-06-01				type	
		appd	RAKHEE GEORGE	2006-06-01				Product Customer Drawing	
sheet index	revision sheet								

# Mouser Electronics

Authorized Distributor

Click to View Pricing, Inventory, Delivery & Lifecycle Information:

[FCI / Amphenol:](#)

[BPS8B09FLD0C0E9LF](#) [BPS8B09FLD200L9LF](#) [BPS8B09FLD200Z1LF](#) [BPS8B09FLD2C0Z1LF](#)  
[BPS8B09FLD0C0Z0LF](#) [BPS8B09FLD0C0Z1LF](#) [BPS8B09FLD2C0E9LF](#) [BPS8B96FLD200Z0LF](#)  
[BPS8B09FLD000Z1LF](#)