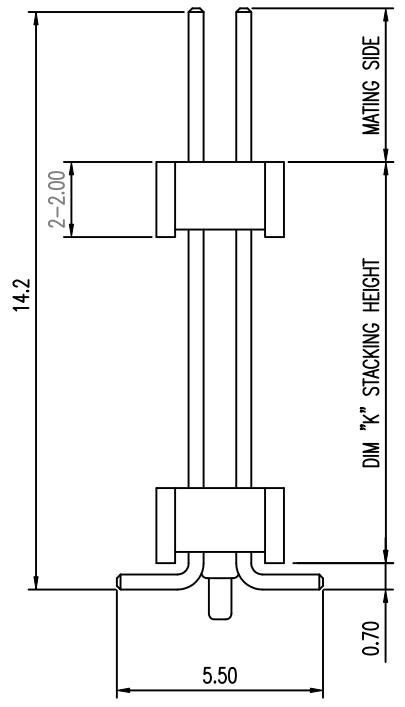
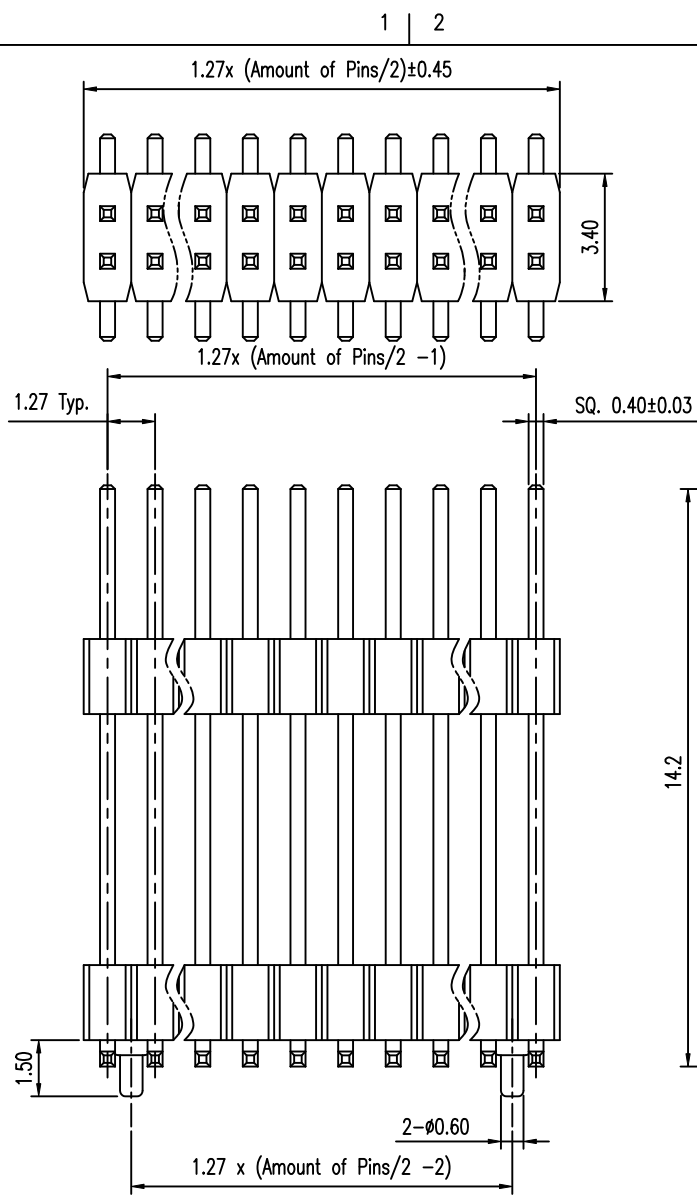


Tous droits strictement réservés. Reproduction ou communication à des tiers interdite sous quelque forme que ce soit sans autorisation écrite du propriétaire. Propriété de c FCI. Droits de reproduction FCI.

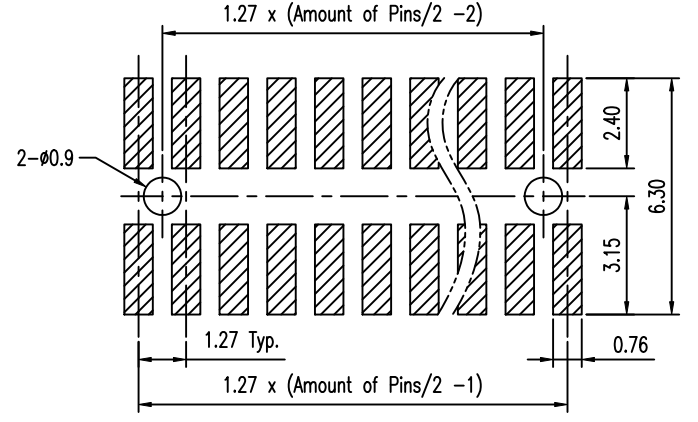


All rights strictly reserved. Reproduction or issue to third parties in any form whatever is not permitted without written authority from the proprietor. Property of FCI. Copyright FCI.



- NOTE:
- MATERIAL, HOUSING: NYLON 6T (E630NK), UL94V-0
TERMINAL: C2700 H
 - FINISH: GOLD AT CONTACT, G/F OVER 1um(40u") MIN Ni OVER ALL
 - SPEC.:
PRODUCT SPEC: GS-12-629
PACKING SPEC: GS-14-1517
 - THE HSG. WILL WITHSTAND EXPOSURE TO 260C PEAK TEMP. FOR 10 SEC. IN A CONVECTION, INFRA-RED OR VAPOR PHASE REFLOW OVEN.
 - MATING SIDE LENGTH: 2.50MM MIN.
 - PRODUCT NUMBERING:
200218 3 4 - XXX XX X X LF

LEAD FREE
PLATING:
1: G/F ALL OVER
4: 0.25um(10u") GOLD AT CONTACT
8: 0.76um(30u") GOLD AT CONTACT
PACKING
T: TUBE
PIN COUNT
04, 06, 08, ..., 48, 50
(EVERY EVEN PIN)
STACK HEIGHT "K"
EXAMPLE: 045=4.5MM
IN 0.5MM INCREMENT



Recommended P.C.B. Layout
Layout Tolerance = ± 0.05 mm

mat'l. code				tolerances unless otherwise specified		CUSTOMER COPY	FCI www.fciconnect.com	
ltr	ecn no	dr	date	linear	.X ± 0.38	projection	title	
1	T10-0072	S.LIN	10'-5-31	angles	.XX ± 0.25		1.27X1.27MM BTB STACK HD	
					.XXX ± 0.15		VT, SMT	
				dr	STERLING LIN	10'-5-20	MM	product family
				engr	STERLING LIN	10'-5-20		585
				chr	STERLING LIN	10'-5-20	scale	code
				appd	GARY HSIEH	10'-5-20	NA	size
sheet index	revision sheet	A	-				A4	20021834
		1						1 of 1

Mouser Electronics

Authorized Distributor

Click to View Pricing, Inventory, Delivery & Lifecycle Information:

[FCI / Amphenol:](#)

[20021834-10020T1LF](#) [20021834-11028T4LF](#) [20021834-09030T1LF](#) [20021834-07030T4LF](#) [20021834-10008T1LF](#)
[20021834-05520T1LF](#) [20021834-11020T4LF](#) [20021834-09022T1LF](#) [20021834-07032T1LF](#) [20021834-10016T4LF](#)
[20021834-10012T1LF](#) [20021834-10030T1LF](#) [20021834-11010T4LF](#) [20021834-08508C1LF](#) [20021834-10032T4LF](#)
[20021834-10540T4LF](#) [20021834-10512T1LF](#)