

Ceramic Bandpass Filter

BFCG-552+

50Ω 5100 to 5930 MHz

The Big Deal

- Rugged, ceramic construction
- Tiny size, 0.079" x 0.049" x 0.037" (0805)
- Good power handling



CASE STYLE: GE0805C-3

Product Overview

Mini-Circuits' BFCG-552+ is a LTCC band pass filter with a passband from 5100 to 5930 MHz, supporting a variety of applications. This model provides 1.2 dB typical passband insertion loss and provides a very good stopband rejection due to strategically constructed layout with minimal interaction between components. It provides a wide operating temperature range from -55 to +125°C. Housed in a tiny 0805 ceramic form factor with wrap-around terminations, the filter is ideal for dense PCB layouts and with minimal performance variation due to parasitics.

Key Features

Feature	Advantages
Ultra-wide stopband	The LTCC band pass filter provides a very good stopband rejection suitable for high end applications.
LTCC Construction	Provides repeatable performance in a rugged, ceramic package well suited for tough environments such as high humidity and temperature extremes.
Tiny size (0.079 x 0.049 x 0.037")	Saves space in dense circuit board layouts and minimizes the effects of parasitics.
Good power handling	Supports a wide range of system power requirements.
Wrap-around terminations	Provides excellent solderability and easy visual inspection

Notes

- A. Performance and quality attributes and conditions not expressly stated in this specification document are intended to be excluded and do not form a part of this specification document.
B. Electrical specifications and performance data contained in this specification document are based on Mini-Circuit's applicable established test performance criteria and measurement instructions.
C. The parts covered by this specification document are subject to Mini-Circuits standard limited warranty and terms and conditions (collectively, "Standard Terms"); Purchasers of this part are entitled to the rights and benefits contained therein. For a full statement of the Standard Terms and the exclusive rights and remedies thereunder, please visit Mini-Circuits' website at www.minicircuits.com/MCLStore/terms.jsp



Ceramic Bandpass Filter

50Ω 5100 to 5930 MHz

BFCG-552+



Generic photo used for illustration purposes only

CASE STYLE: GE0805C-3

Features

- Miniature size 0805 (0.079"[2.0mm] x 0.049"[1.25mm] x 0.037"[0.95mm])
- Low cost
- Aqueous washable

+RoHS Compliant

The +Suffix identifies RoHS Compliance. See our web site for RoHS Compliance methodologies and qualifications

Applications

- ISM Band
- WLAN

Electrical Specifications^{1,2} at 25°C

Parameter	F#	Frequency (MHz)	Min.	Typ.	Max.	Unit
Pass Band	Center Frequency	—	—	5515	—	dB
	Insertion Loss	F1-F2	5100 - 5930	—	1.2	dB
	Return Loss	F1-F2	5100 - 5930	—	12	dB
Stop Band, Lower	Insertion Loss	DC-F3	10 - 3360	20	35	dB
Stop Band, Upper	Insertion Loss	F4-F5	8770 - 11000	20	23	dB
		F5-F6	11000 - 15600	23	32	dB

1. Tested on Evaluation Board TB-BFCG-552+

2. This Filter is not intended for use as DC Blocking circuits element. In Application where DC Voltage is present at either input or output ports, blocking capacitors are required at the corresponding RF ports.

Maximum Ratings

Operating Temperature	-55°C to 125°C
Storage Temperature ³	-55°C to 125°C
RF Power Input ⁴	2W at 25°C

3. Refer to product storage temperature after installation.

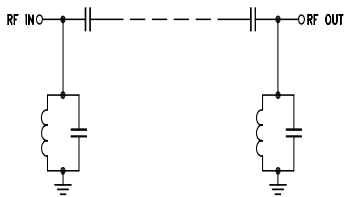
Suggestion for T&R unused product storage condition +5 - +35°C.

Humidity 45-75% RH, 12 month Max.

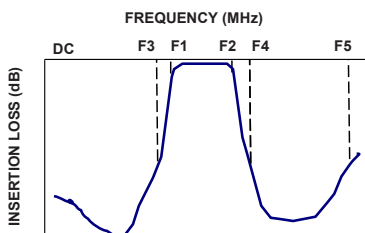
4. Derate linearly to 0.5W@125°C.

Permanent damage may occur if any of these limits exceeded.

Functional Schematic

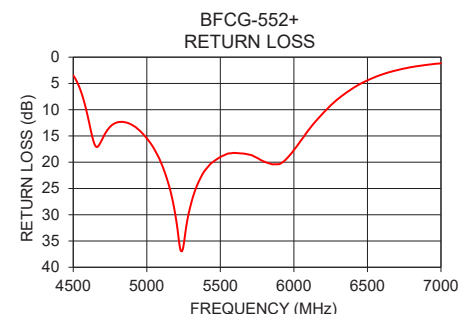
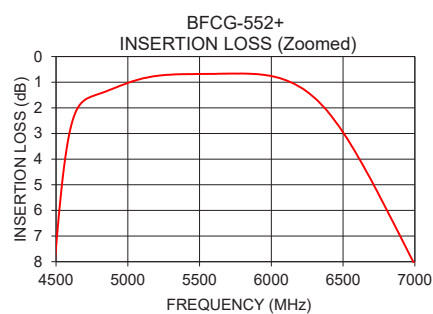
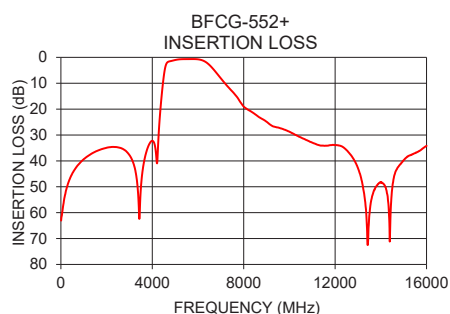


Typical Frequency Response



Typical Performance Data at 25°C

Frequency (MHz)	Insertion Loss (dB)	Return Loss (dB)
10	63.06	0.07
1000	39.35	0.00
2000	34.93	0.00
3360	50.53	0.13
4000	32.25	0.32
5100	0.86	20.31
5930	0.70	19.87
7000	8.12	1.17
8770	23.60	0.38
10000	28.74	0.19
11000	32.94	0.22
12000	33.90	0.60
13000	42.81	0.68
14000	48.21	0.55
15000	39.77	0.54
15600	36.58	0.49



Notes

A. Performance and quality attributes and conditions not expressly stated in this specification document are intended to be excluded and do not form a part of this specification document.

B. Electrical specifications and performance data contained in this specification document are based on Mini-Circuit's applicable established test performance criteria and measurement instructions.

C. The parts covered by this specification document are subject to Mini-Circuit's standard limited warranty and terms and conditions (collectively, "Standard Terms"); Purchasers of this part are entitled to the rights and benefits contained therein. For a full statement of the Standard Terms and the exclusive rights and remedies thereunder, please visit Mini-Circuit's website at www.minicircuits.com/MCLStore/terms.jsp



www.minicircuits.com P.O. Box 350166, Brooklyn, NY 11235-0003 (718) 934-4500 sales@minicircuits.com

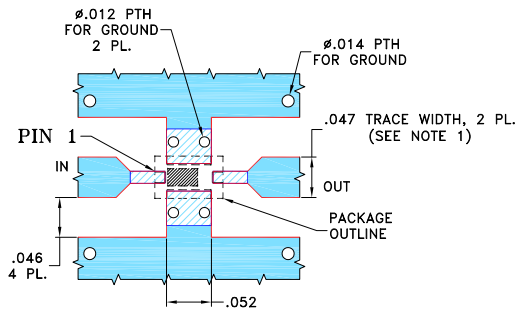
REV. A
ECO-005628
BFCG-552+
RS/CP/AM
210104
Page 2 of 3

Pad Connections

INPUT	1
OUTPUT	3
GROUND	2,4

Product Marking: N/A

Evaluation Board MCL P/N: TB-BFCG-552+
Suggested PCB Layout (PL-566)

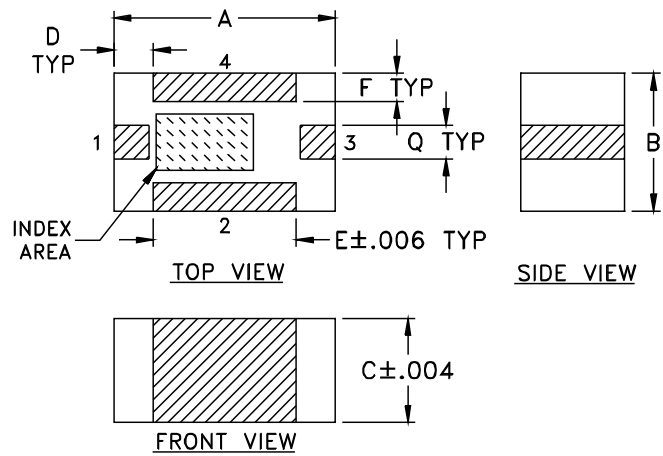


NOTES:

- TRACE WIDTH IS SHOWN FOR ROGERS R04233 WITH DIELECTRIC THICKNESS $.020 \pm .0015$. COPPER: 1/2 OZ. EACH SIDE. FOR OTHER MATERIALS TRACE WIDTH AND GAP MAY NEED TO BE MODIFIED.
- BOTTOM SIDE OF THE PCB IS CONTINUOUS GROUND PLANE.

- DENOTES PCB COPPER LAYOUT WITH SMOBC (SOLDER MASK OVER BARE COPPER).
- DENOTES COPPER LAND PATTERN FREE OF SOLDER MASK.

Outline Drawing



Outline Dimensions (inch/mm)

A	B	C	D	E	F	Q	wt
.079	.049	.037	.014	.051	.010	.012	grams
2.01	1.24	0.94	0.36	1.30	0.25	0.30	.020

Notes

- Performance and quality attributes and conditions not expressly stated in this specification document are intended to be excluded and do not form a part of this specification document.
- Electrical specifications and performance data contained in this specification document are based on Mini-Circuit's applicable established test performance criteria and measurement instructions.
- The parts covered by this specification document are subject to Mini-Circuits standard limited warranty and terms and conditions (collectively, "Standard Terms"); Purchasers of this part are entitled to the rights and benefits contained therein. For a full statement of the Standard Terms and the exclusive rights and remedies thereunder, please visit Mini-Circuits' website at www.minicircuits.com/MCLStore/terms.jsp