

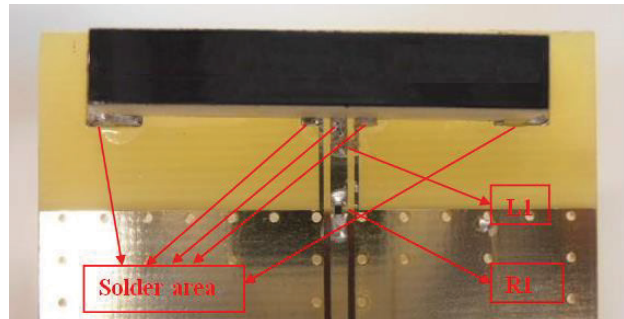
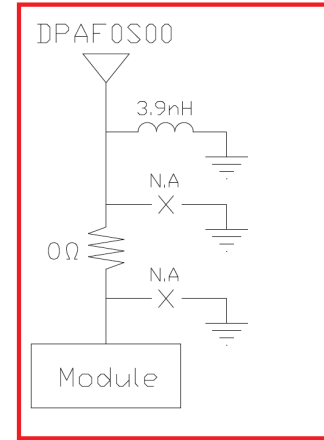
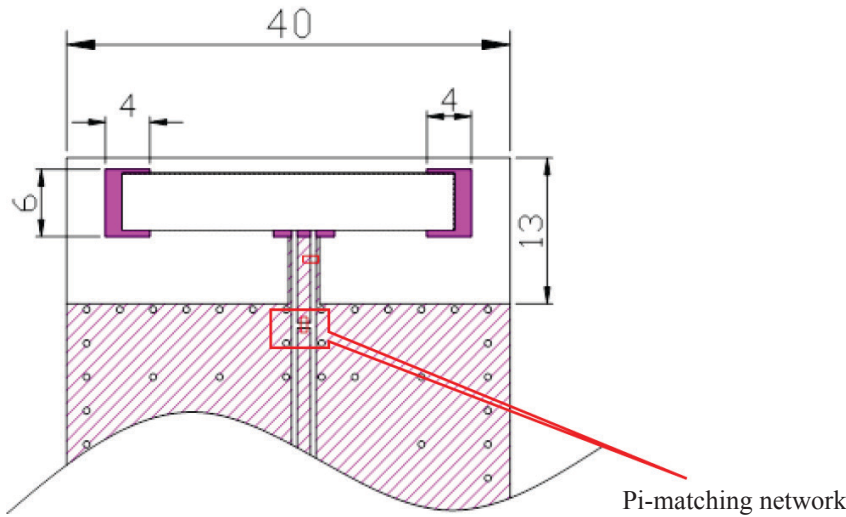
LPWA/WiFi Ceramic Chip Antenna Evaluation Board

ACAR3005-C2WB-EVB

120.0 x 40.0 mm

Matching Network on EVB

Antenna matching network is designed using a combination of inductor and resistor near the input terminal.



Circuit Symbol	Size	Description
L1	0402	3.9 nH
R1	0402	0 Ω

Note :

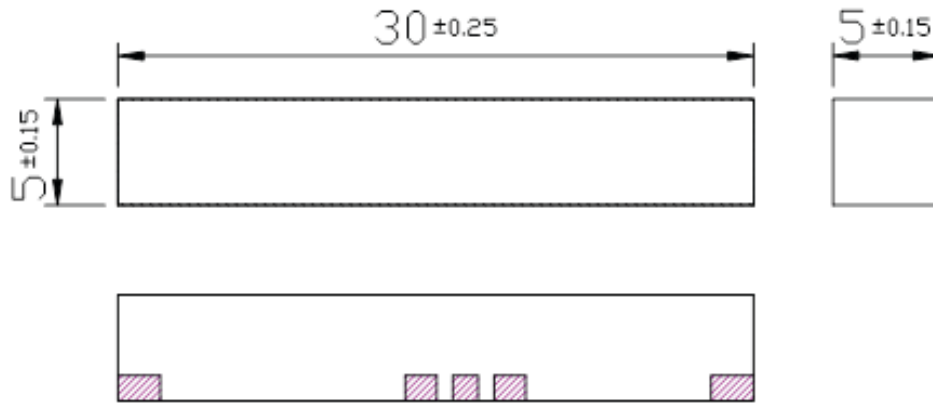
1. Yellow space around the chip antenna in “Matching Network on EVB” represents the ground clearance area.
2. Desired clearance area : 40 x 13 mm
3. Width of the 50 Ω line is designed in accordance with the PCB thickness and material considered.
4. Matching network (Pi - network) provided is in accordance with the EVB layout and matching will differ in the actual customer PCB depending on the layout.

LPWA/WiFi Ceramic Chip Antenna Evaluation Board

ACAR3005-C2WB-EVB

120.0 x 40.0 mm

Chip Antenna Dimension



Unit: mm

ATTENTION: Abracon LLC's products are COTS – Commercial-Off-The-Shelf products; suitable for Commercial, Industrial and, where designated, Automotive Applications. Abracon's products are not specifically designed for Military, Aviation, Aerospace, Life-dependent Medical applications or any application requiring high reliability where component failure could result in loss of life and/or property. For applications requiring high reliability and/or presenting an extreme operating environment, written consent and authorization from Abracon LLC is required. Please contact Abracon LLC for more information.



5101 Hidden Creek Ln Spicewood TX 78669
Phone: 512-371-6159 | Fax: 512-351-8858
For terms and conditions of sales, please visit:
www.abracon.com

REVISED: 09-2-19

ABRACON IS
ISO9001-2015
CERTIFIED