

2173157-3 ✓ ACTIVE

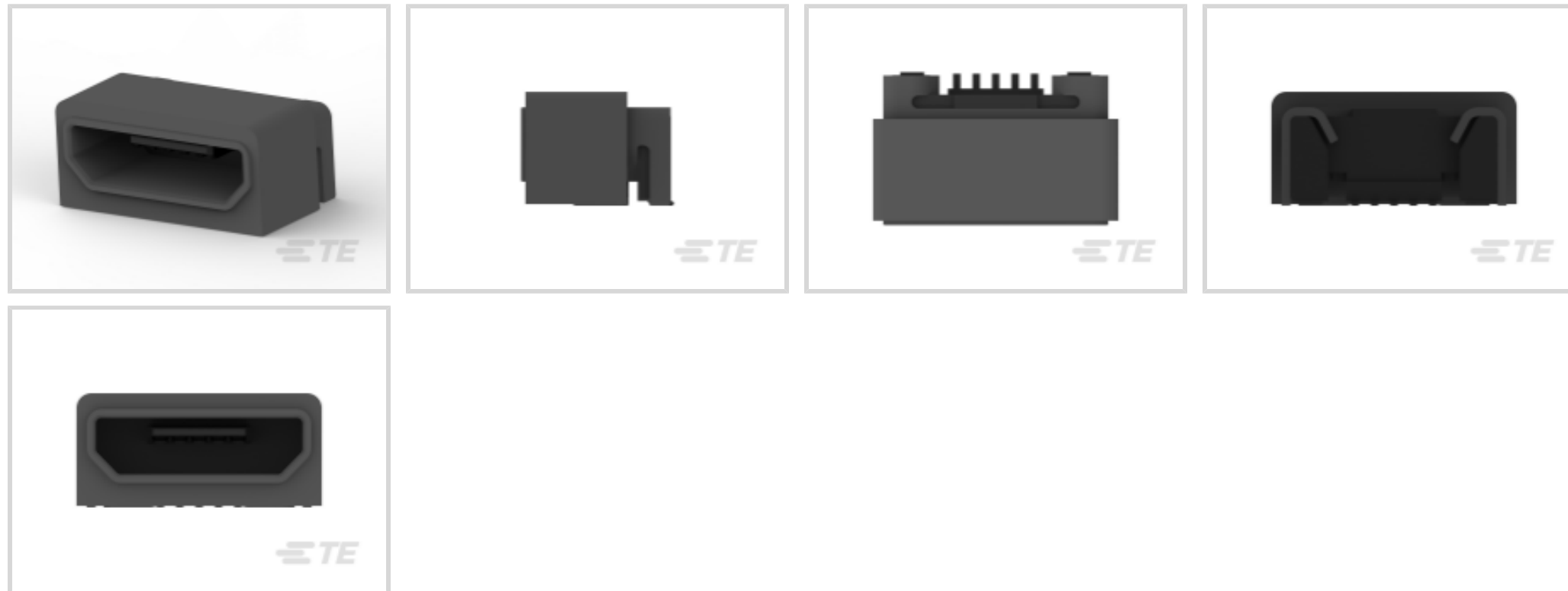
TE Internal #: 2173157-3

B, 2.0, Micro Profile, Receptacle, 1 Port, Top, Right Angle, Tape & Reel, IPX4, Offset, Surface Mount, Cable-to-Board, Flange, 10000, USB Connectors

[View on TE.com >](#)



Connectors > Audio & Video Connectors > USB Connectors



USB Adapter Type: **B**

USB Version: **2.0**

Connector Profile: **Micro**

Connector & Housing Type: **Receptacle**

Number of Ports: **1**

## Features

### Product Type Features

Integral Locking Latch	Without
USB Adapter Type	B
USB Version	2.0
Connector & Housing Type	Receptacle
Connector System	Cable-to-Board
Connector & Contact Terminates To	Printed Circuit Board
USB Connector Type	Micro USB 2.0 Type-B

### Configuration Features

Number of Ports	1
Number of Positions	5

### Body Features

Offset	.8 mm
Shell Plating Finish	Matte
Shell Plating Material	Tin over Nickel



Connector Profile	Micro
-------------------	-------

### Contact Features

Contact Mating Area Plating Material Thickness	.76 $\mu\text{m}$ [29.52 $\mu\text{in}$ ]
Contact Mating Area Plating Material	Gold
Contact Current Rating (Max)	1.8 A

### Termination Features

Termination Post & Tail Length	.85 mm[.034 in]
Termination Method to PCB	Surface Mount

### Mechanical Attachment

Locking Feature	Without
PCB Mount Location	Top
PCB Connector Seating	Offset
PCB Mount Retention Type	SMT Hold-Down
Panel Mount Feature Type	Flange
Connector Mounting Type	Board Mount

### Housing Features

Housing Material	Thermoplastic
Housing Color	Black
Body Orientation	Right Angle
Centerline (Pitch)	.65 mm[.025 in]

### Dimensions

PCB Thickness (Recommended)	.8 – 1. mm[.031 – .039 in]
-----------------------------	----------------------------

### Usage Conditions

Soldering Temperature (Max)	260 $^{\circ}\text{C}$ [500 $^{\circ}\text{F}$ ]
Mating Cycles (Max)	10000
Operating Temperature Range	-30 – 85 $^{\circ}\text{C}$ [-22 – 185 $^{\circ}\text{F}$ ]

### Operation/Application

Halogen Free	No
Assembly Process Feature	Without Pick and Place Cover
Circuit Application	Power & Signal

### Industry Standards

Moisture Sensitivity Level	1
----------------------------	---



Industry Standard	USB 2.0
UL Flammability Rating	UL 94V-0
IP Rating	IPX4

### Packaging Features

Packaging Quantity	1000
Packaging Method	Tape & Reel

### Product Compliance

[For compliance documentation, visit the product page on TE.com>](#)

EU RoHS Directive 2011/65/EU	Compliant
EU ELV Directive 2000/53/EC	Compliant
China RoHS 2 Directive MIIT Order No 32, 2016	No Restricted Materials Above Threshold
EU REACH Regulation (EC) No. 1907/2006	Current ECHA Candidate List: JUNE 2024 (241) Candidate List Declared Against: JUNE 2024 (241) Does not contain REACH SVHC
Halogen Content	Low Halogen - Br, Cl, F, I < 900 ppm per homogenous material. Also BFR/CFR/PVC Free
Solder Process Capability	Not reviewed for solder process capability

#### Product Compliance Disclaimer

This information is provided based on reasonable inquiry of our suppliers and represents our current actual knowledge based on the information they provided. This information is subject to change. The part numbers that TE has identified as EU RoHS compliant have a maximum concentration of 0.1% by weight in homogenous materials for lead, hexavalent chromium, mercury, PBB, PBDE, DBP, BBP, DEHP, DIBP, and 0.01% for cadmium, or qualify for an exemption to these limits as defined in the Annexes of Directive 2011/65/EU (RoHS2). Finished electrical and electronic equipment products will be CE marked as required by Directive 2011/65/EU. Components may not be CE marked. Additionally, the part numbers that TE has identified as EU ELV compliant have a maximum concentration of 0.1% by weight in homogenous materials for lead, hexavalent chromium, and mercury, and 0.01% for cadmium, or qualify for an exemption to these limits as defined in the Annexes of Directive 2000/53/EC (ELV). Regarding the REACH Regulation, the information TE provides on SVHC in articles for this part number is based on the latest European Chemicals Agency (ECHA) 'Guidance on requirements for substances in articles' posted at this URL: <https://echa.europa.eu/guidance-documents/guidance-on-reach>

### Customers Also Bought



TE Part #DTF13-12PA-G003  
HDR, 12P, GRY, RA, AU/NI/CU, A



TE Part #1827625-1  
SHIELD FINGER 3014 ANTI OVER  
STRESS TYPE



TE Part #6-1879233-1  
SMW5 33R 5%



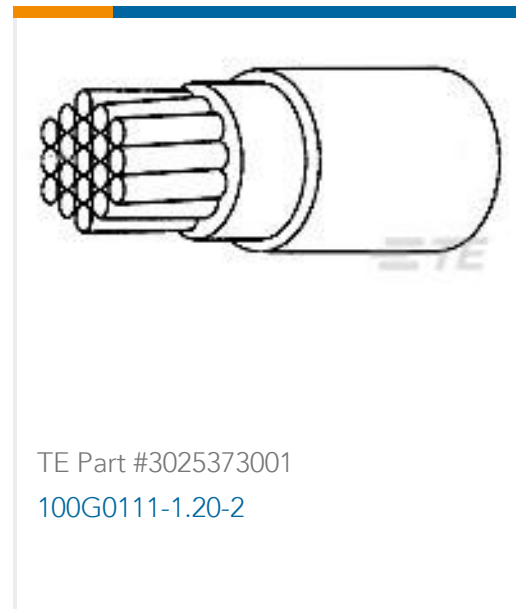
TE Part #6-103361-0  
12 MODII HDR SRRA SHRD LF



TE Part #4-1617339-6  
RP20899G2=ACCESSORY  
MOUNTING P



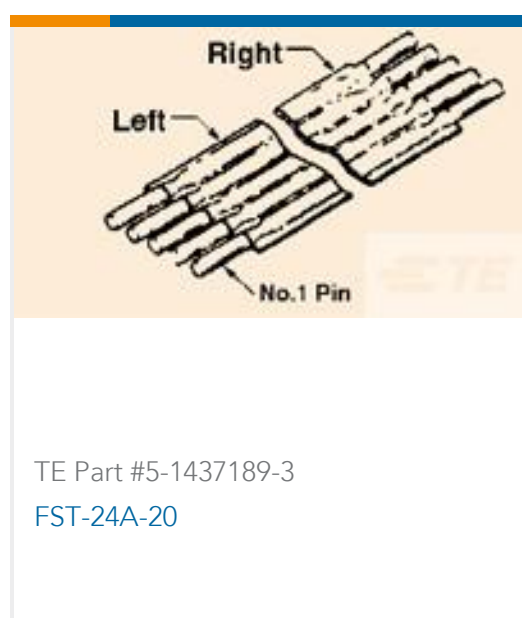
TE Part #710979-1  
XCT 4-6



TE Part #3025373001  
100G0111-1.20-2



TE Part #5956233001  
100G0111-0.60-9



TE Part #5-1437189-3  
FST-24A-20



TE Part #5-2176268-6  
RU 0603 1K0 0.01% 2PPM 1K RL

## Documents

### Product Drawings

MICRO USB, TYPE B, SPLASHPROOF (LOW MOQ)

English

### CAD Files

3D PDF

3D

Customer View Model

[ENG\\_CVM\\_CVM\\_2173157-3\\_A.2d\\_dxf.zip](#)

English

Customer View Model

[ENG\\_CVM\\_CVM\\_2173157-3\\_A.3d\\_igs.zip](#)

English

Customer View Model

[ENG\\_CVM\\_CVM\\_2173157-3\\_A.3d\\_stp.zip](#)

English

By downloading the CAD file I accept and agree to the [Terms and Conditions](#) of use.

### Product Specifications



**Product Specification**

English

**Product Specification**

English