



Sensors > Temperature Sensors > NTC Thermistors Sensors & Probes > NTC Thermistors > Model 44000 Series



NTC Sensor Type: **Epoxy Coated NTC Thermistor**

Lead Wire Length: **76 mm [2.992 in]**

Resistance (at 25°C): **10 kΩ**

β-Value(25/85): **3978 K**

Tolerance β-Value: **±0.4 %**

[All Model 44000 Series \(32\)](#)

Features

Product Type Features

| | |
|-------------------|-----------------------------|
| NTC Sensor Type | Epoxy Coated NTC Thermistor |
| Tolerance β-Value | ±0.4 % |

Electrical Characteristics

| | |
|----------------|--------|
| β-Value(25/85) | 3978 K |
|----------------|--------|

Dimensions

| | |
|------------------|-----------------|
| Lead Wire Length | 76 mm[2.992 in] |
|------------------|-----------------|

Usage Conditions

| | |
|-----------------------------|----------------------------|
| Resistance (at 25°C) | 10 kΩ |
| Operating Temperature Range | -80 – 75 °C[-112 – 122 °F] |

Product Compliance

[For compliance documentation, visit the product page on TE.com>](#)

| | |
|---|--|
| EU RoHS Directive 2011/65/EU | Compliant with Exemptions |
| EU ELV Directive 2000/53/EC | Compliant with Exemptions |
| China RoHS 2 Directive MIIT Order No 32, 2016 | Restricted Materials Above Threshold |
| EU REACH Regulation (EC) No. 1907/2006 | Current ECHA Candidate List: JUNE 2024 (241) |

Candidate List Declared Against: JUNE
2023 (235)

Does not contain REACH SVHC

Halogen Content

Not Yet Reviewed for halogen content

Solder Process Capability

Not reviewed for solder process capability

Product Compliance Disclaimer

This information is provided based on reasonable inquiry of our suppliers and represents our current actual knowledge based on the information they provided. This information is subject to change. The part numbers that TE has identified as EU RoHS compliant have a maximum concentration of 0.1% by weight in homogenous materials for lead, hexavalent chromium, mercury, PBB, PBDE, DBP, BBP, DEHP, DIBP, and 0.01% for cadmium, or qualify for an exemption to these limits as defined in the Annexes of Directive 2011/65/EU (RoHS2). Finished electrical and electronic equipment products will be CE marked as required by Directive 2011/65/EU. Components may not be CE marked. Additionally, the part numbers that TE has identified as EU ELV compliant have a maximum concentration of 0.1% by weight in homogenous materials for lead, hexavalent chromium, and mercury, and 0.01% for cadmium, or qualify for an exemption to these limits as defined in the Annexes of Directive 2000/53/EC (ELV). Regarding the REACH Regulation, the information TE provides on SVHC in articles for this part number is based on the latest European Chemicals Agency (ECHA) 'Guidance on requirements for substances in articles' posted at this URL: <https://echa.europa.eu/guidance-documents/guidance-on-reach>

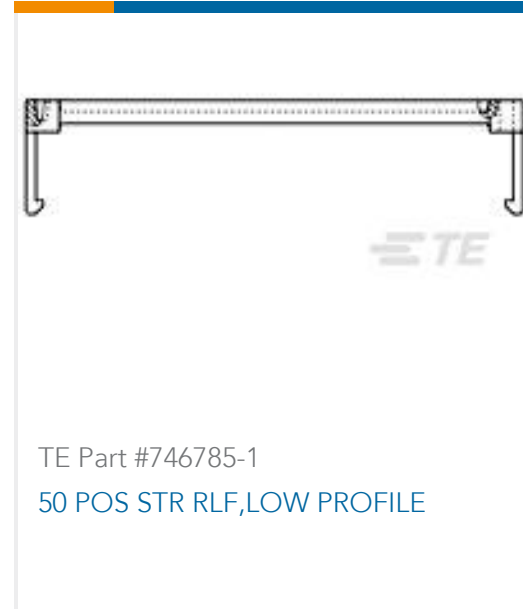
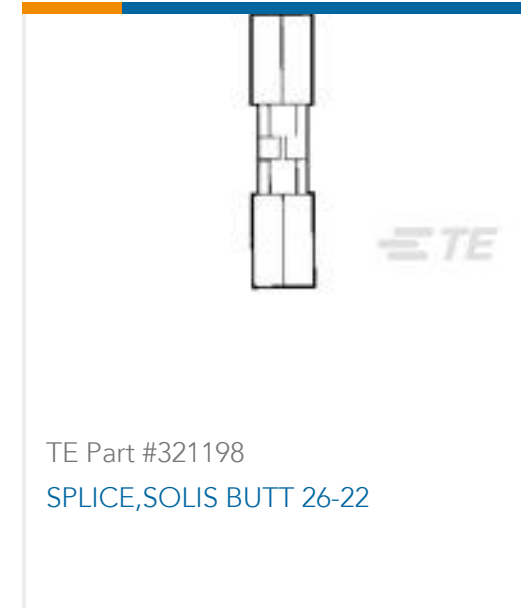
Compatible Parts



Also in the Series | MEAS 44000



Customers Also Bought



Documents

Datasheets & Catalog Pages

[TESS-ANDO-408-000050](#)

English

[Model 44000 Series Datasheet](#)

English

[Model 44036 Datasheet](#)

English