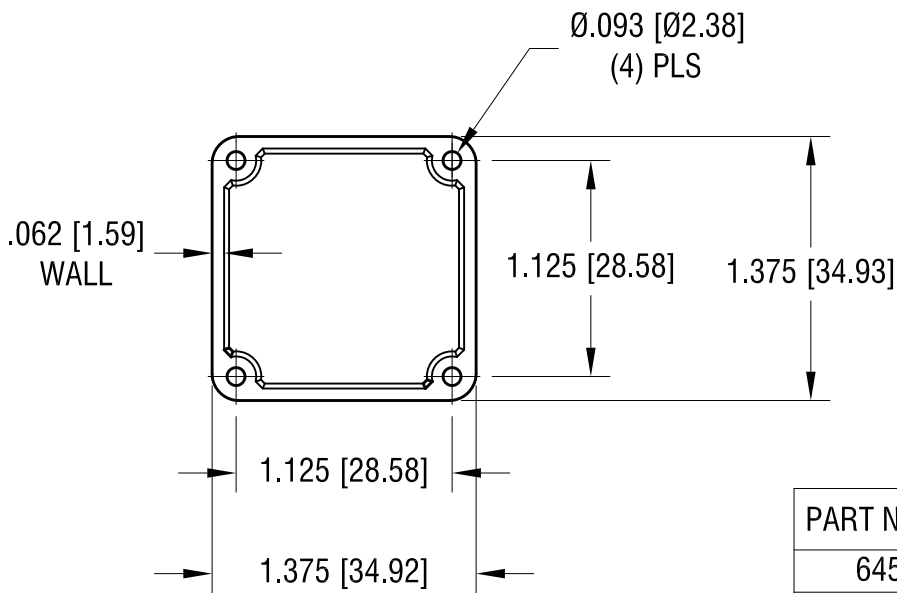
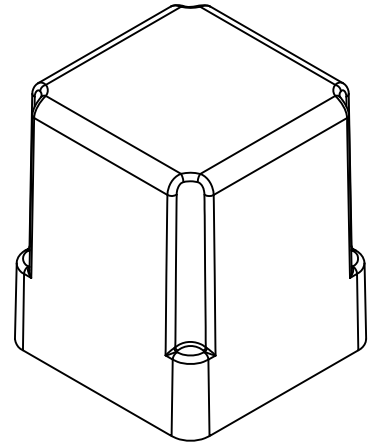
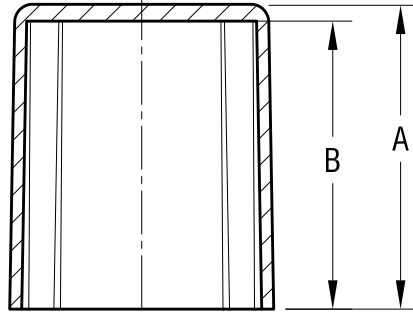
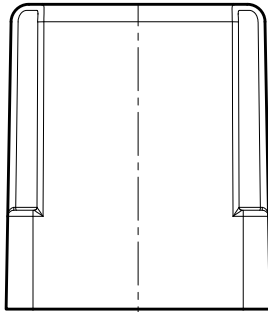


THIS DOCUMENT IS THE PROPERTY OF KEYSTONE ELECTRONICS CORP. AND SHALL NOT BE REPRODUCED, DISTRIBUTED OR USED AS A BASIS FOR MANUFACTURE WITHOUT PRIOR WRITTEN PERMISSION FROM KEYSTONE ELECTRONICS CORP.



PART NUMBER	COLOR	A	B
645	BLACK	1.562	1.500
646	TRANS RED	1.562	1.500
647	BLACK	1.937	1.875
648	TRANS RED	1.937	1.875

KEYSTONE ELECTRONICS CORP.

www.keyelco.com • ASTORIA, N.Y. 11105-2017 • Tel (718) 956-8900

PART NAME		HOUSING	
MATERIAL		AS POLYSTYRENE	
FINISH	-	DRN BY LN	DATE 3.5.82
		APP'D LN	SCALE 1X
TOLERANCES	INCH [MM]	CODE	DWG NO.
DECIMAL	± .015 [± 0.38]	C/M	645-648
ANGULAR	± 1°		
UNLESS OTHERWISE SPECIFIED			

1.11.11 REDRAWN IN CAD FORMAT

DATE	DESCRIPTION	REV.

Mouser Electronics

Authorized Distributor

Click to View Pricing, Inventory, Delivery & Lifecycle Information:

[Keystone Electronics:](#)

[645](#)