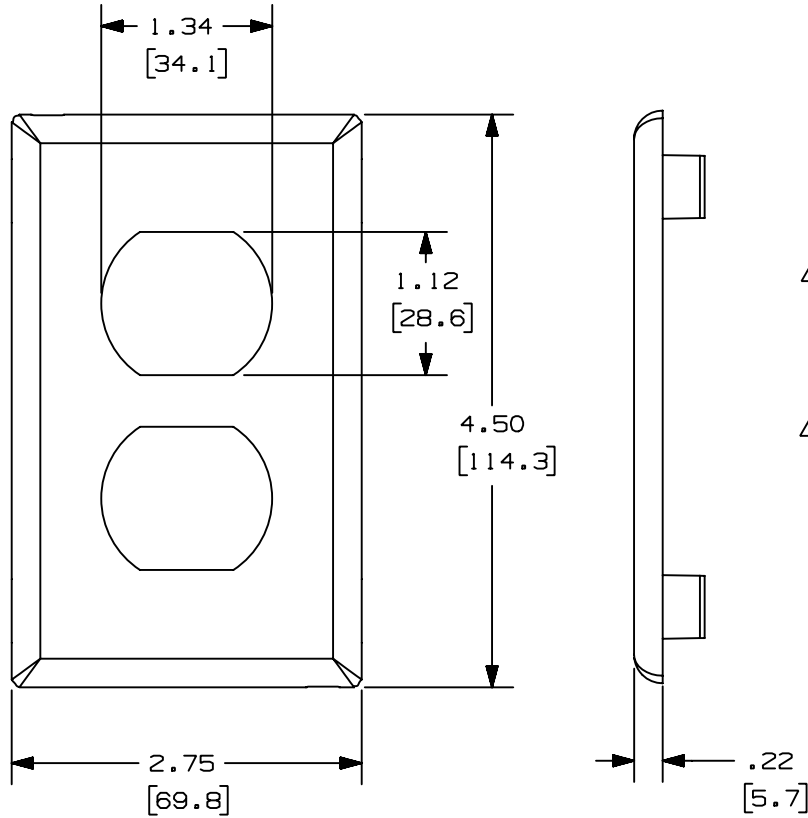


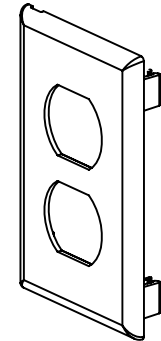
THIS COPY IS PROVIDED ON A RESTRICTED BASIS AND IS NOT TO BE USED IN ANY WAY DETRIMENTAL TO THE INTERESTS OF PANDUIT CORP.



PANDUIT P/N	WEIGHT
T70P	.052 LB (23.7 g)
OF70P	

NOTES:

- SEE CURRENT CATALOG FOR ADDITIONAL PART SUFFIXES TO INDICATE COLOR AND OR PACKAGE QUANTITY.
- THE T70P FACEPLATE CAN BE USED WITH PANDUIT SURFACE RACEWAY SYSTEMS AND BOXES THAT ACCEPT 70mm SNAP-ON FACEPLATES (INCLUDES: T-70, TWIN-70, TE70, TG-70, ETC.)
- THE T70P FACEPLATE FITS NEMA STANDARD DUPLEX RECEPTACLES.
- DIMENSIONS IN PARENTHESES ARE IN METRIC.
- THE OF70P FACEPLATE CAN BE USED WITH PANDUIT OFFICE FURNITURE CORNER RACEWAY (OFCR70) AND DESK MOUNT BOX (OFR20DMB.)



CAD FILENAME/LAYERS D36572B0\_DC\_T70P\_02A.prt

PANDUIT CORP. TINLEY PARK, ILLINOIS  
 T-70 SNAP-ON CLASSIC SERIES  
 "106"/DUPLEX FACEPLATE (T70P & OF70P)  
 CUSTOMER DRAWING

REV	DATE	BY	CHK	DESCRIPTION	ECN	CHK	CUST	SUP
-	-----	---	--	E. REVISED PART WEIGHT: WAS PER 10 PCS	-----	----	----	
3	06-11-04	JBN	PM	D. ADDED NOTE #5 C. ADDED PART NUMBER OF70P	36572-15	RGRO	RGRO	
2	03-13-00	JHNU	HIW	B. REV'D NOTE 2: ADDED TG-70	36572-15	HIW	HIW	
1	06-30-99	DW	HIW	A. REVISED TITLE NAME.	36572-15	HIW	HIW	
R	02-16-98	DW	HIW	RELEASED TO PRODUCTION.	36572-15	HIW	HIW	

UNLESS OTHERWISE SPECIFIED, DIMENSIONAL TOLERANCES ARE: (.X) ± (.XXX) ± (.XX) ±.03(.8) ANGLES ±		UNLESS OTHERWISE SPECIFIED, ALL DIMENSIONS ARE GIVEN IN INCHES, THIRD ANGLE PROJECTION.	
DRAWN BY DW	MAT'L: PVC	SCALE NONE	
DATE 02-16-98	CHECKED BY HIW	DRAWING NO. 36572-15	DWG A SIZE